

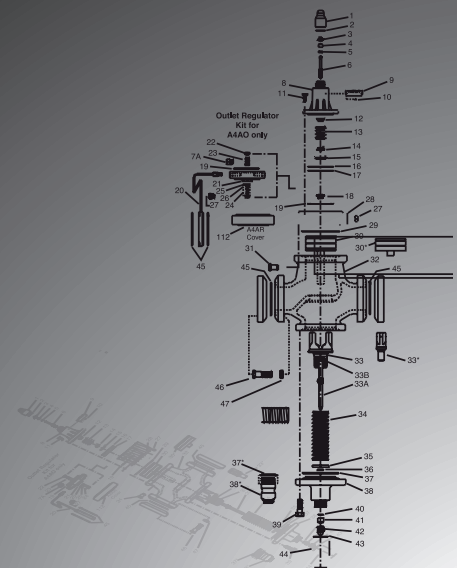


# US Reco

**ENGINEERING-SYSTEMES-DISTRIBUTION**

**REGULATION DE HAUTE TECHNICITE  
POUR FROID & CONDITIONNEMENT D'AIR**

**US REFRIGERATION CONTROLS**







**PKR-03**

# **PARTS KITS REFERENCE**



## Warranties

All Refrigerating Specialties products are warranted against defect in workmanship and materials for a period of one year from date of shipment from originating factory. This warranty is in force only when products are properly installed, field assembled, maintained and operated in use and service, as specifically stated in Refrigerating Specialties Catalogs or Bulletins for normal refrigeration applications, unless otherwise approved in writing by Refrigerating Specialties Division. Defective products, or parts thereof, returned to the factory with transportation charges prepaid, and found to be defective by factory inspection, will be replaced or repaired at Refrigerating Specialties option, free of charge, F.O.B. factory. Warranty does not cover products which have been altered, repaired in the field, damaged in transit or have suffered accidents, misuse or abuse. Products disabled by dirt or other foreign substances will not be considered defective.

THE EXPRESS WARRANTY SET FORTH ABOVE CONSTITUTES THE ONLY WARRANTY APPLICABLE TO REFRIGERATING SPECIALTIES PRODUCTS, AND IS IN LIEU OF ALL OTHER WARRANTIES, EXPRESS OR IMPLIED, WRITTEN OR ORAL, INCLUDING ANY WARRANTY OF MERCHANTABILITY OR FITNESS FOR A PARTICULAR PURPOSE. No employee, agent, dealer or other person is authorized to give any warranties on behalf of Refrigerating Specialties, nor to assume, for Refrigerating Specialties, any other liability in connection with any of its products.

## Safe Operation

People doing any work on a refrigeration system must be qualified and completely familiar with the system and the Refrigerating Specialties Division valves involved, or all other precautions will be meaningless. This includes reading and understanding pertinent Refrigerating Specialties Division product bulletins and Bulletin RSB prior to installation or servicing work.

Where cold refrigerant liquid lines are used, it is necessary that certain precautions be taken to avoid damage which could result from liquid expansion. Temperature increase in a piping section full of solid liquid will cause high pressure due to the expanding liquid which can possibly rupture a gasket, pipe or valve. All hand valves isolating such sections should be marked, warning against accidental closing, and must not be closed until the liquid is removed. (Tags are available for this purpose from the factory.) Check valves must never be installed upstream of solenoid valves or regulators with electric shut-off, nor should hand valves upstream of solenoid valves or downstream of check valves be closed until the liquid has been removed. It is advisable to properly install relief devices in any section where liquid expansion could take place.

Avoid all piping or control arrangements which might produce thermal or pressure shock.

For the protection of people and products, all refrigerant must be removed from the section to be worked on before a valve strainer or other device is opened or removed.

Flanges with ODS connections are not suitable for ammonia service.

Consult our web site [www.parker.com/refspec](http://www.parker.com/refspec)  
for bulletins and catalog information  
on all our products.

### WARNING

FAILURE OR IMPROPER SELECTION OR IMPROPER USE OF THE PRODUCTS AND/OR SYSTEMS DESCRIBED HEREIN OR RELATED ITEMS CAN CAUSE DEATH, PERSONAL INJURY AND PROPERTY DAMAGE.

This document and other information from Parker Hannifin Corporation, its subsidiaries and authorized distributors provide product and/or system options for further investigation by users having technical expertise. It is important that you analyze all aspects of your application and review the information concerning the product or system in the current product catalog. Due to the variety of operating conditions and applications for these products or systems, the user, through its own analysis and testing, is solely responsible for making the final selection of the products and systems and assuring that all performance, safety and warning requirements of the application are met.

The products described herein, including without limitation, product features, specifications, designs, availability and pricing, are subject to change by Parker Hannifin Corporation and its subsidiaries at any time without notice.

### Offer of Sale

The items described in this document are hereby offered for sale by Parker Hannifin Corporation, its subsidiaries or its authorized distributors. This offer and its acceptance are governed by the provisions stated in the "Offer of Sale" found on the inside back cover of this publication.

**Pressure Regulators**

A4A, A4AO	
20mm .....	2
25mm .....	4
32mm .....	6
40mm .....	8
50mm .....	10
65mm .....	12
75mm .....	14
100mm .....	16
A4W, A4WOE	
125mm .....	18
150mm .....	20
200mm .....	22
A4A/A4W Modules	
Modadapter™ .....	24
S6A Solenoid Pilot .....	25
S6B Solenoid Pilot .....	25
A2D Pressure Pilot .....	26
Pressure Bonnet .....	27
Temperature Bonnet .....	28
Motor Bonnet .....	29
Electronic Pilot .....	30
A2A .....	31
A2B, A2BO .....	32
A2CK .....	34
CFR .....	35
A8A, A81 .....	36
A82 .....	38
A9 .....	40
(S)PORT .....	42
(S)PORT II .....	44

**Flow Regulators**

AFR .....	46
FFR .....	47

**Solenoid Valves**

S6N .....	48
S8F .....	49
SV2 .....	50
S7A .....	53
S5A .....	54
S4A .....	58
S4W .....	64
Remote Pilot Lights .....	66
S81 .....	68
S82 .....	69
SC1 .....	70
SC2 .....	71

**Gas Powered Valves**

CK2	
32-100mm (1¼" - 4") .....	72
125-150mm (4"-6") .....	74
CK5	
32 & 40mm (1¼" & 1⅝") .....	76
50 & 65mm (2" & 2½") .....	78
75 & 100mm (3" & 4") .....	80
125 & 150mm (5" & 6") .....	82
S9A .....	
50-75mm (2"-3") .....	84
100mm (4") .....	86
S9W	
125mm (5") .....	88
150mm (6") .....	90
200mm (8") .....	92

**Check Valves**

CK1	
20-100mm (¾" - 4") .....	94
125-150mm (5" - 6") .....	96
CK4 .....	98
Stop/Check	
¾" - 2" .....	100
2½" - 4" .....	102
6" - 8" .....	104

**Hand Valves**

Hand Shut-Off .....	106
Hand Expansion .....	108
Extended Bonnet .....	110

**Liquid Level Control**

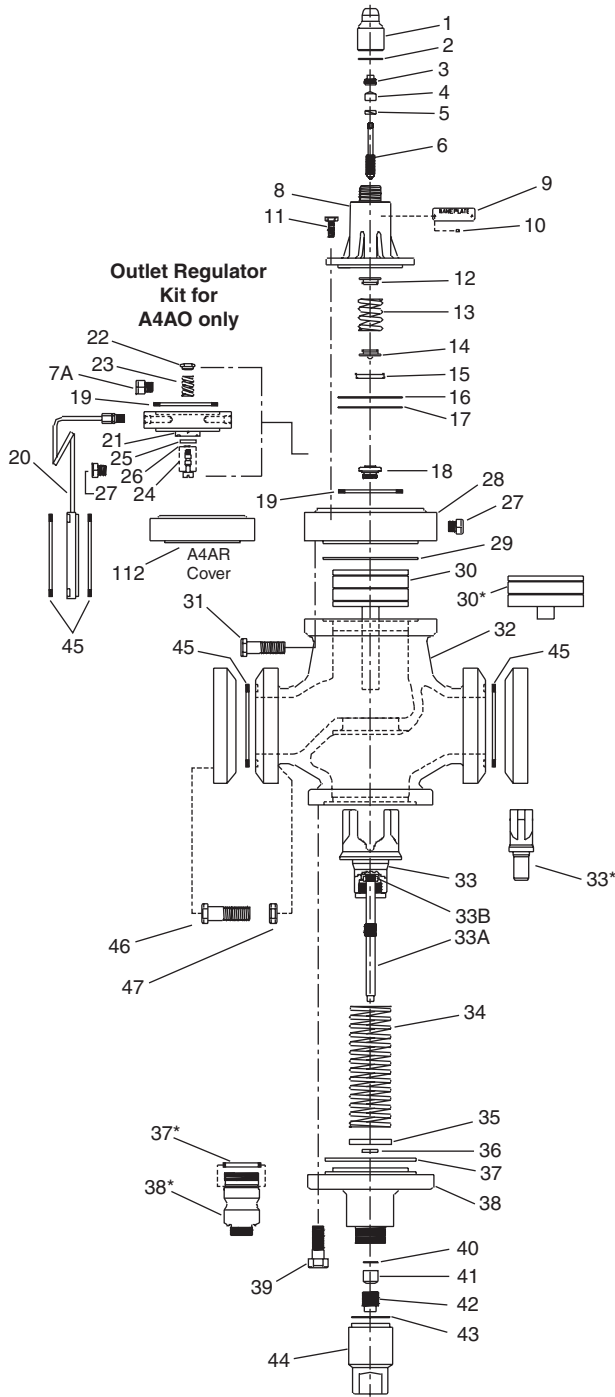
LL Float Switches .....	112
Rapid Purger .....	114

**Strainers**

RSF .....	116
RSW .....	118
Stop/Strainers	
1/2" & 3/4" .....	119
1" - 1½" .....	120
2" - 3" .....	122

**Bolt Packages** ..... 124

Includes A4A, A4AE, A4AK, A4AR, A4AO



\* For port sizes 20mm thru 32mm (3/4" thru 1 1/4") only.

20mm (3/4") Parts Kits

Item	Description	Quantity	Kit No.
1	Seal Cap	1	
2	Seal Cap Gasket	1	
1-2	<b>Cap Kit, Seal</b>		202110
3	Nut, Packing	1	
4	Packing, Stem	1	
5	Washer, Flat	1	
3-5	<b>Packing Kit, Stem</b>		202100
6	Stem, Adjusting	1	
4-6	<b>Stem Kit, Adjusting</b>		202120
12	Plate, Spring, Upper	1	
13	Spring, Comp.	1	
14	Plate, Spring, Lower	1	
15	Follower, Diaphragm	1	
3-5, 6, 12-15	<b>Spring/Stem Kit</b>		
	Range A, V		202006
	Range D		202007
8	Bonnet	1	
11	Screw, Hex Head	8	
16	Bonnet Gasket	1	
1-6, 8, 11-16	<b>Spring Kit with Bonnet</b>		
	Range A, V		202008
	Range D		202009
12-14, 16	<b>Spring Kit, Less Bonnet</b>		
	Range A/V		202481
	Range D		202482
17	Diaphragm	1	
19	Gasket	1	
16, 17, 19	<b>Diaphragm Kit</b>		
	Range A, V		200770
17	Diaphragms	2	
16, 17, 19	<b>Diaphragm Kit - Range D</b>		200771
16-19	<b>Pilot Seat/Diaphragm Kit (not A4AO)</b>		
	Range A		202000
	Range V (VC Vacuum Cartridge)		202004
	Range D		202002
20	Ring/Tube Assembly, Flange	1	
45	Gasket	1	
20, 45	<b>Flange Ring/Tube Kit (A4AO, A4AL)</b>		200439
21	Adapter	1	
22	Nut, Retainer	1	
23	Spring	1	
24	Plug, Pilot	1	
25	O-Ring	1	
26	O-Ring	1	
19, 21-26	<b>A4AO Outlet Regulator Kit (OR-50)</b>		200516
27	<b>Plug Pkg, 1/4" NPT</b>	5	202552
28	Adapter		
29	Gasket		
19, 28, 29	<b>Adapter Kit</b>		200703
30	Piston/Stem Assembly	1	
29, 30	<b>Piston Kit</b>		200760
32	Valve Body		Not Available
34	Spring, Comp.	1	
35	Washer, Flat	1	
36	Wiper, Dirt	1	
37	"O" Ring	1	
34-37	<b>Spring Kit, Closing</b>		
	A4A		202300
	A4AK		202298

Item	Description	Quantity	Kit No.
33	Plug/Stem Assembly	1	
40	Washer, Flat	1	
41	Packing, Stem	1	
42	Nut, Packing	1	
33, 34-37, 40-42	<b>Plug Kit, Modulating</b>		
	Full Capacity	A4A	202021
		A4AK	202037
	50% Capacity	A4A	202029
		A4AK	202029
	17% Capacity	A4A	202030
		A4AK	202030
37	O-Ring	1	
38	Cover, Bottom	1	
40	Washer, Flat	1	
41	Packing, Stem	1	
37, 38, 40, 41	<b>Cover Kit</b>		200761
42	Nut, Packing	1	
40-42	<b>Packing Kit, Stem</b>		202100
43	Gasket	1	
44	Seal Cap	1	
43, 44	<b>Seal Cap Kit</b>		202110
33-38, 40-44	<b>Bottom Assembly Kit</b>		
	Full Capacity	A4A	202010
		A4AK	202018
	50% Capacity	A4A	202347
		A4AK	N/A
	17% Capacity	A4A	202346
		A4AK	N/A
3-6, 12-19, 29, 30, 33-37, 40-42	<b>Regulator Repair Kit (All except A4AK)</b>		
	Full Capacity	Range A	202041
		Range V	202040
		Range D	202042
	50% Capacity	Range A	202352
		Range V	202354
		Range D	202353
	17% Capacity	Rge. A	202349
		Rge. V	202351
		Rge. D	202350
112	Cover, Top	1	
29, 112	<b>A4AR Cover Kit</b>		200680

Item	Description	Quantity	Kit No.
<b>Gasket Kits</b>			
<i>Includes complete set of gaskets plus "O" Rings if applicable</i>			
2, 16(2), 19(2), 25, 26, 29, 37, 43, 45(3)	<b>Gasket Kit A4</b>		202112

**Individual Gaskets**

*"O" Rings & Valve Pk'g sold and packaged in quantities only as indicated.*

29	Gasket Pkg, Adapter	5	202406
37	"O" Ring/Gasket Pkg, Bottom Cap	3	202384
43	Gasket Pkg, Seal Cap (Bottom)	12	202408
2	Gasket Pkg, Seal Cap (Top)	12	202408
45	Gasket Pkg, Flange	12	202079
4	Packing Pkg, Stem (Top)	25	202478
41	Packing Pkg, Stem (Bottom)	25	202478

**Bolt Package Kits**

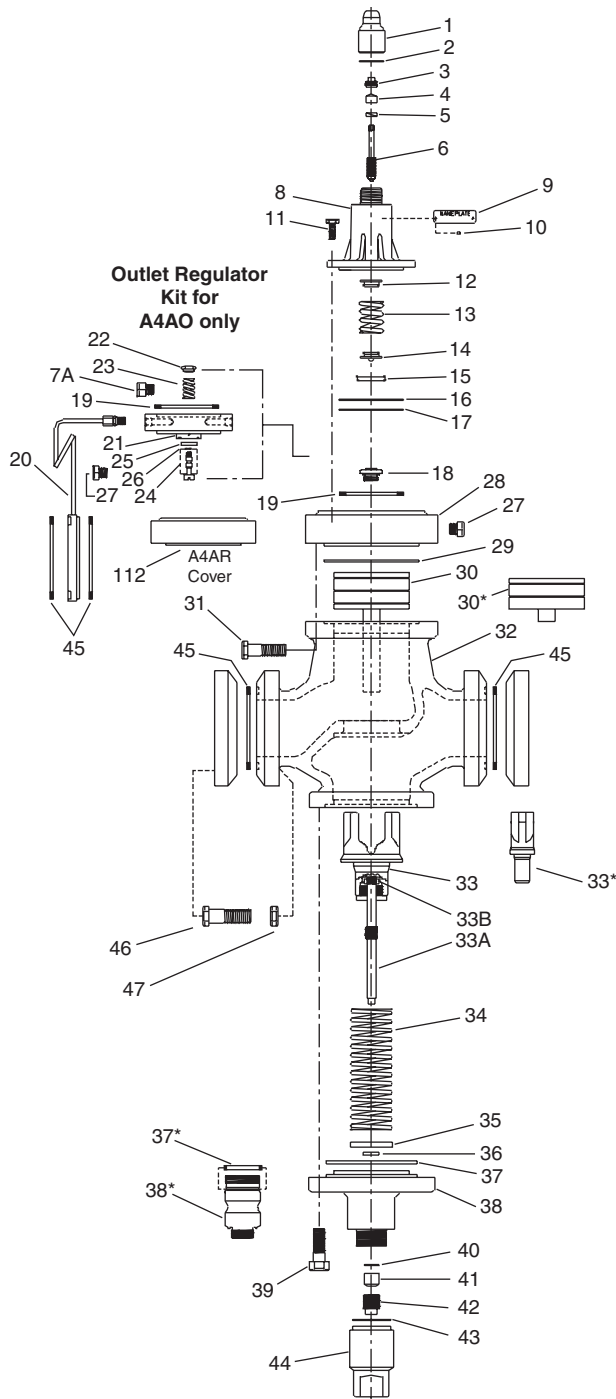
11	Bolt Package, A4A Bonnet	8	202246
	Bolt Package, A4AO Bonnet	8	202247
31	Bolt Package, Adapter	8	202248
39	Bolt Package, Bottom Cap	Not Required	

**Flange Bolt Package**

*Includes bolts and nuts; no gaskets*

46	Nut 5/8"-11	2	
47	Bolt 5/8"-11x 3"	2	
46, 47	<b>Flange Bolt Kit</b>		201585

Includes A4A, A4AE, A4AK, A4AR, A4AO



\* For port sizes 20mm thru 32mm (3/4" thru 1 1/4") only.

**25mm (1") Parts Kits**

Item	Description	Quantity	Kit No.
1	Seal Cap	1	
2	Seal Cap Gasket	1	
1-2	<b>Cap Kit, Seal</b>		202110
3	Nut, Packing	1	
4	Packing, Stem	1	
5	Washer, Flat	1	
3-5	<b>Packing Kit, Stem</b>		202100
6	Stem, Adjusting	1	
4-6	<b>Stem Kit, Adjusting</b>		202120
12	Plate, Spring, Upper	1	
13	Spring, Comp.	1	
14	Plate, Spring, Lower	1	
15	Follower, Diaphragm	1	
3-5, 6, 12-15	<b>Spring/Stem Kit</b>		
	Range A, V		202006
	Range D		202007
8	Bonnet	1	
11	Screw, Hex Head	8	
16	Bonnet Gasket	1	
1-6, 8, 11-16	<b>Spring Kit with Bonnet</b>		
	Range A, V		202008
	Range D		202009
12-14, 16	<b>Spring Kit, Less Bonnet</b>		
	Range A/V		202481
	Range D		202482
17	Diaphragm	1	
19	Gasket	1	
16, 17, 19	<b>Diaphragm Kit</b>		
	Range A, V		200770
17	Diaphragms	2	
16, 17, 19	<b>Diaphragm Kit - Range D</b>		200771
16-19	<b>VC Vacuum Cartridge</b>		202004
16-19	<b>Pilot Seat/Diaphragm Kit (not A4AO)</b>		
	Range A		202000
	Range V		202004
	Range D		202002
20	Ring/Tube Assembly, Flange	1	
45	Gasket	1	
20, 45	<b>Flange Ring/Tube Kit (A4AO, A4AL)</b>		200439
21	Adapter	1	
22	Nut, Retainer	1	
23	Spring	1	
24	Plug, Pilot	1	
25	O-Ring	1	
26	O-Ring	1	
19, 21-26	<b>Outlet Regulator Kit (OR-50)</b>		200516
27	<b>Plug Pkg, 1/4" NPT</b>	5	202552
28	Adapter		
29	Gasket		
19, 28, 29	<b>Adapter Kit</b>		200703
30	Piston/Stem Assembly	1	
29, 30	<b>Piston Kit</b>		200760
32	Valve Body		Not Available
34	Spring, Comp.	1	
35	Washer, Flat	1	
36	Wiper, Dirt	1	
37	"O" Ring	1	
34-37	<b>Spring Kit, Closing</b>		
	A4A		202300
	A4AK		202298

Item	Description	Quantity	Kit No.
33	Plug/Stem Assembly	1	
40	Washer, Flat	1	
41	Packing, Stem	1	
42	Nut, Packing	1	
33, 34-37, 40-42	<b>Plug Kit, Modulating</b>		
	Full Capacity	A4A	202022
		A4AK	202038
	50% Capacity	A4A	★
		A4AK	★
	17% Capacity	A4A	★
		A4AK	★
37	O-Ring	1	
38	Cover, Bottom	1	
40	Washer, Flat	1	
41	Packing, Stem	1	
37,38,40,41	<b>Cover Kit</b>		200761
42	Nut, Packing	1	
40-42	<b>Packing Kit, Stem</b>		202100
43	Gasket	1	
44	Seal Cap	1	
43, 44	<b>Seal Cap Kit</b>		202110
33-38, 40-44	<b>Bottom Assembly Kit</b>		
	Full Capacity	A4A	202011
		A4AK	202019
	50% Capacity	A4A	★
		A4AK	N/A
	17% Capacity	A4A	★
		A4AK	N/A
3-6, 12-19, 29, 30, 33-37, 40-42	<b>Regulator Repair Kit (All except A4AK)</b>		
	Full Capacity	Range A	202044
		Range V	202043
		Range D	202045
	50% Capacity	Range A	★
		Range V	★
		Range D	★
	17% Capacity	Rge. A	★
		Rge. V	★
		Rge. D	★
112	Cover, Top	1	
29,112	<b>A4AR Cover Kit</b>		200680

★ All Plug Kits and Bottom Assembly Kits for 3/4" Port Size Valves can be used in the 1" Port Size Valves for reducing capacity.

Item	Description	Quantity	Kit No.
<b>Gasket Kits</b>			
<i>Includes complete set of gaskets plus "O" Rings if applicable</i>			
2, 16(2), 19(2), 25,26,29,37, 43, 45(3)	<b>Gasket Kit A4</b>		202112

**Individual Gaskets**

*"O" Rings & Valve Pk'g sold and packaged in quantities only as indicated.*

Item	Description	Quantity	Kit No.
29	Gasket Pkg, Adapter	5	202406
37	"O" Ring/Gasket Pkg, Bottom Cap	3	202384
43	Gasket Pkg, Seal Cap (Bottom)	12	202408
2	Gasket Pkg, Seal Cap (Top)	12	202408
45	Gasket Pkg, Flange	12	202079
4	Packing Pkg, Stem (Top)	25	202478
41	Packing Pkg, Stem (Bottom)	25	202478

**Bolt Package Kits**

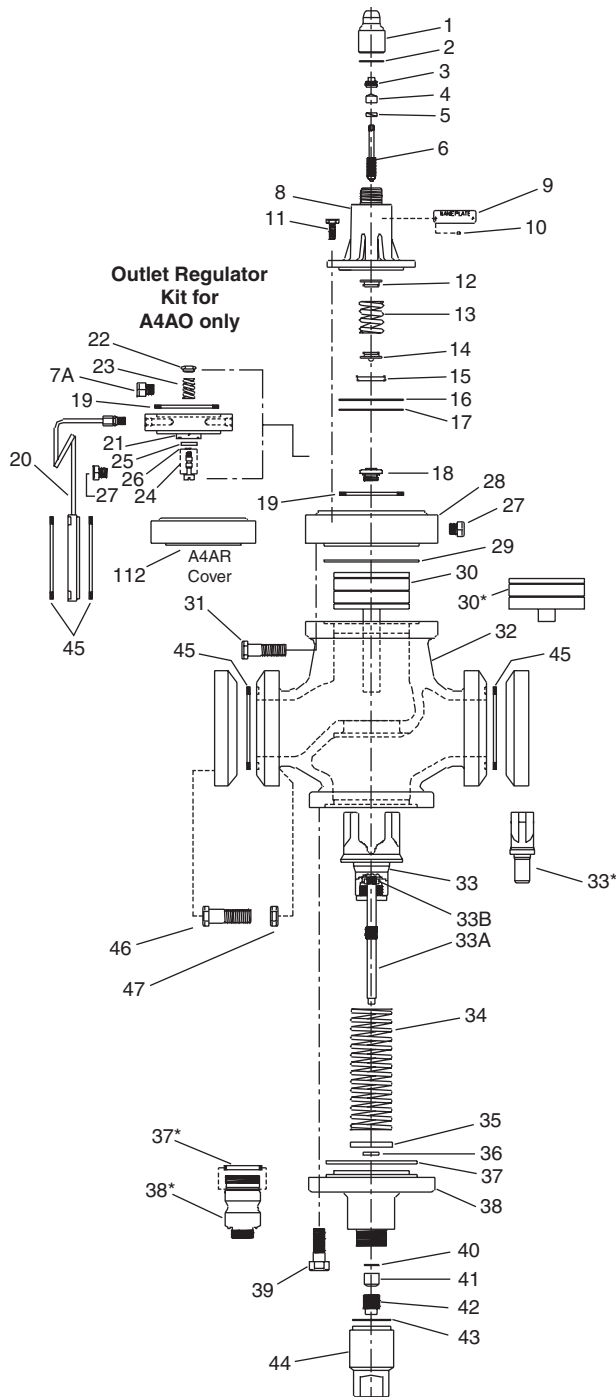
Item	Description	Quantity	Kit No.
11	Bolt Package, A4A Bonnet	8	202246
	Bolt Package, A4AO Bonnet	8	202247
31	Bolt Package, Adapter	8	202248
39	Bolt Package, Bottom Cap	Not Required	

**Flange Bolt Package**

*Includes bolts and nuts; no gaskets*

Item	Description	Quantity	Kit No.
46	Nut 5/8"-11	2	
47	Bolt 5/8"-11x 3"	2	
46, 47	<b>Flange Bolt Kit</b>		201585

Includes A4A, A4AE, A4AK, A4AR, A4AO



\* For port sizes 20mm thru 32mm (3/4" thru 1 1/4") only.

**32mm (1 1/4") Parts Kits**

Item	Description	Quantity	Kit No.
1	Seal Cap	1	
2	Seal Cap Gasket	1	
1-2	<b>Cap Kit, Seal</b>		202110
3	Nut, Packing	1	
4	Packing, Stem	1	
5	Washer, Flat	1	
3-5	<b>Packing Kit, Stem</b>		202100
6	Stem, Adjusting	1	
4-6	<b>Stem Kit, Adjusting</b>		202120
12	Plate, Spring, Upper	1	
13	Spring, Comp.	1	
14	Plate, Spring, Lower	1	
15	Follower, Diaphragm	1	
3-5, 6, 12-15	<b>Spring/Stem Kit</b>		
	Range A, V		202006
	Range D		202007
8	Bonnet	1	
11	Screw, Hex Head	8	
16	Bonnet Gasket	1	
1-6, 8, 11-16	<b>Spring Kit with Bonnet</b>		
	Range A, V		202008
	Range D		202009
12-14, 16	<b>Spring Kit, Less Bonnet</b>		
	Range A/V		202481
	Range D		202482
17	Diaphragm	1	
19	Gasket	1	
16,17, 19	<b>Diaphragm Kit</b>		
	Range A, V		200770
17	Diaphragms - Range D	2	
16,17, 19	<b>Diaphragm Kit - Range D</b>		200771
16-19	<b>VC Vacuum Cartridge</b>		202004
16-19	<b>Pilot Seat/Diaphragm Kit (not A4AO)</b>		
	Range A		202000
	Range V		202004
	Range D		202002
20	Ring/Tube Assembly, Flange	1	
45	Gasket	1	
20, 45	<b>Flange Ring/Tube Kit (A4AO, A4AL)</b>		200441
21	Adapter	1	
22	Nut, Retainer	1	
23	Spring	1	
24	Plug, Pilot	1	
25	O-Ring	1	
26	O-Ring	1	
19, 21-26	<b>A4AO Outlet Regulator Kit (OR-50)</b>		200516
27	<b>Plug Pkg, 1/4" NPT</b>	5	202552
28	Adapter		
29	Gasket		
19,28, 29	<b>Adapter Kit</b>		200700
30	Piston/Stem Assembly	1	
29,30	<b>Piston Kit</b>		200767
32	Valve Body		Not Available
34	Spring, Comp.	1	
35	Washer, Flat	1	
36	Wiper, Dirt	1	
37	"O" Ring	1	
34-37	<b>Spring Kit, Closing</b>		
	A4A		202301
	A4AK		202299

Item	Description	Quantity	Kit No.
33	Plug/Stem Assembly	1	
40	Washer, Flat	1	
41	Packing, Stem	1	
42	Nut, Packing	1	
33, 34-37, 40-42	<b>Plug Kit, Modulating</b>		
	Full Capacity A4A		202023
	A4AK		202039
	35% Capacity A4A		202031
	A4AK		202031
37	O-Ring	1	
38	Cover, Bottom	1	
40	Washer, Flat	1	
41	Packing, Stem	1	
37,38,40,41	<b>Cover Kit</b>		200761
42	Nut, Packing	1	
40-42	<b>Packing Kit, Stem</b>		202100
43	Gasket	1	
44	Seal Cap	1	
43, 44	<b>Seal Cap Kit</b>		202110
33-38, 40-44	<b>Bottom Assembly Kit</b>		
	Full Capacity A4A		202012
	A4AK		202020
3-6, 12-19, 29, 30, 33-37, 40-42	<b>Regulator Repair Kit (All except A4AK)</b>		
	Full Capacity Range A		202047
	Range V		202046
	Range D		202048
112	Cover, Top	1	
29,112	<b>A4AR Cover Kit</b>		200669

Item	Description	Quantity	Kit No.
<b>Gasket Kits</b>			
<i>Includes complete set of gaskets plus "O" Rings if applicable</i>			
2, 16(2), 19(2), 25,26,29,37, 43, 45(3)	<b>Gasket Kit A4</b>		202113

**Individual Gaskets**  
"O" Rings & Valve Pk'g sold and packaged in quantities only as indicated.

Item	Description	Quantity	Kit No.
29	Gasket Pkg, Adapter	5	202407
37	"O" Ring/Gasket Pkg, Bottom Cap	3	202384
43	Gasket Pkg, Seal Cap (Bottom)	12	202408
2	Gasket Pkg, Seal Cap (Top)	12	202408
45	Gasket Pkg, Flange	12	202080
4	Packing Pkg, Stem (Top)	25	202478
41	Packing Pkg, Stem (Bottom)	25	202478

**Bolt Package Kits**

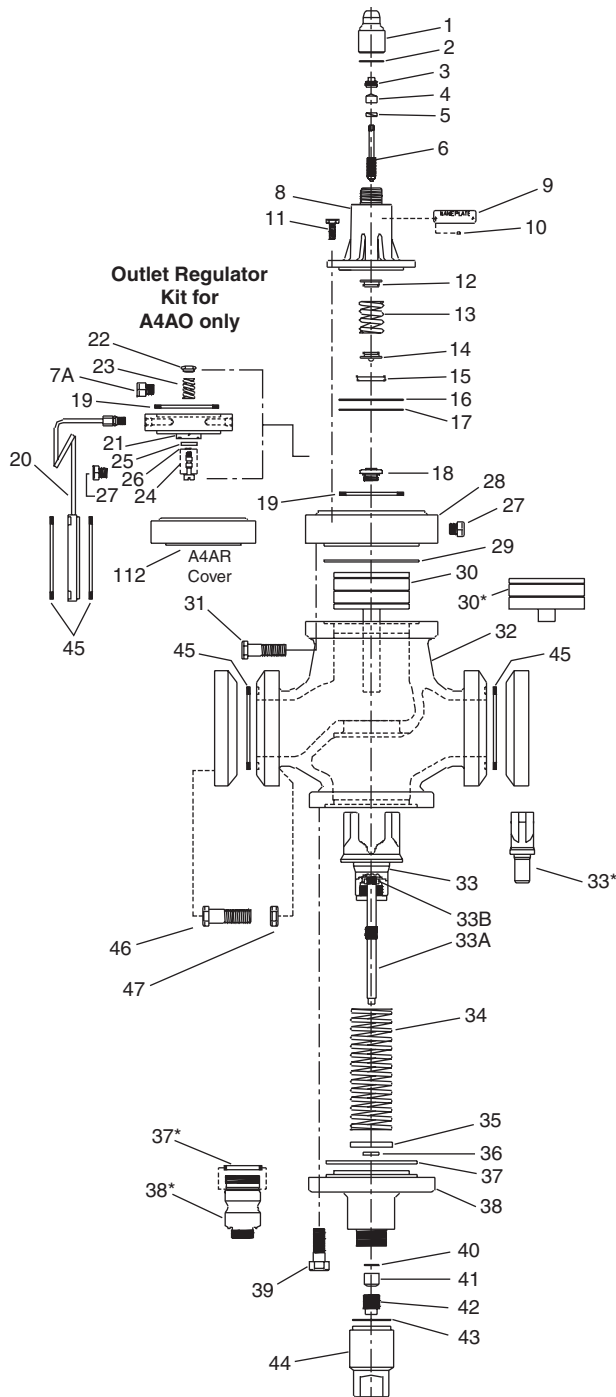
Item	Description	Quantity	Kit No.
11	Bolt Package, A4A Bonnet	8	202246
	Bolt Package, A4AO Bonnet	8	202247
31	Bolt Package, Adapter	8	202248
39	Bolt Package, Bottom Cap	Not Required	

**Flange Bolt Package**

*Includes bolts and nuts; no gaskets*

Item	Description	Quantity	Kit No.
46	Nut 5/8"-11	4	
47	Bolt 5/8"-11x 2-3/4"	4	
46, 47	<b>Flange Bolt Kit</b>		201595

Includes A4A, A4AE, A4AK, A4AR, A4AO



\* For port sizes 20mm thru 32mm (3/4" thru 1 1/4") only.

**40mm (1 5/8") Parts Kits**

Item	Description	Quantity	Kit No.
1	Seal Cap	1	
2	Seal Cap Gasket	1	
1-2	<b>Cap Kit, Seal</b>		202110
3	Nut, Packing	1	
4	Packing, Stem	1	
5	Washer, Flat	1	
3-5	<b>Packing Kit, Stem</b>		202100
6	Stem, Adjusting	1	
4-6	<b>Stem Kit, Adjusting</b>		202120
12	Plate, Spring, Upper	1	
13	Spring, Comp.	1	
14	Plate, Spring, Lower	1	
15	Follower, Diaphragm	1	
3-5, 6, 12-15	<b>Spring/Stem Kit</b>		
	Range A, V		202006
	Range D		202007
8	Bonnet	1	
11	Screw, Hex Head	8	
16	Bonnet Gasket	1	
1-6, 8, 11-16	<b>Spring Kit with Bonnet</b>		
	Range A, V		202008
	Range D		202009
12-14, 16	<b>Spring Kit, Less Bonnet</b>		
	Range A/V		202481
	Range D		202482
17	Diaphragm	1	
19	Gasket	1	
16,17, 19	<b>Diaphragm Kit</b>		
	Range A, V		200770
17	Diaphragms - Range D	2	
16,17, 19	<b>Diaphragm Kit - Range D</b>		200771
16-19	<b>VC Vacuum Cartridge</b>		202004
16-19	<b>Pilot Seat/Diaphragm Kit (not A4AO)</b>		
	Range A		202000
	Range V		202004
	Range D		202002
20	Ring/Tube Assembly, Flange	1	
45	Gasket	1	
20, 45	<b>Flange Ring/Tube Kit (A4AO, A4AL)</b>		200443
21	Adapter	1	
22	Nut, Retainer	1	
23	Spring	1	
24	Plug, Pilot	1	
25	O-Ring	1	
26	O-Ring	1	
19, 21-26	<b>A4AO Outlet Regulator Kit (OR-50)</b>		200516
27	<b>Plug Pkg, 1/4" NPT</b>	5	202552
28	Adapter		
29	Gasket		
19,28, 29	<b>Adapter Kit</b>		200725
30	Piston/Stem Assembly	1	
29,30	<b>Piston Kit</b>		200389
32	Valve Body		N/A
34	Spring, Comp.	1	
35	Washer, Flat	1	
36	Wiper, Dirt	1	
37	"O" Ring	1	
34-37	<b>Spring Kit, Closing</b>		
	A4A		202302
	A4AK		202302

Item	Description	Quantity	Kit No.
33	Plug/Stem Assembly	1	
40	Washer, Flat	1	
41	Packing, Stem	1	
42	Nut, Packing	1	
33, 34-37, 40-42	<b>Plug Kit, Modulating</b> Full Capacity	A4A A4AK	202024 202024
	35% Capacity	A4A A4AK	202032 202032
40	Washer, Flat	1	
41	Packing, Stem	1	
42	Nut, Packing	1	
40-42	<b>Packing Kit, Stem</b>		202100
43	Gasket	1	
44	Seal Cap	1	
43, 44	<b>Seal Cap Kit</b>		202110
33-38, 40-44	<b>Bottom Assembly Kit</b> Full Capacity	A4A A4AK	202013 202013
3-6, 12-19, 29, 30, 33-37, 40-42	<b>Regulator Repair Kit (All except A4AK)</b> Full Capacity	Range A Range V Range D	202050 202049 202051
112	Cover, Top	1	
29,112	<b>A4AR Cover Kit</b>		200673

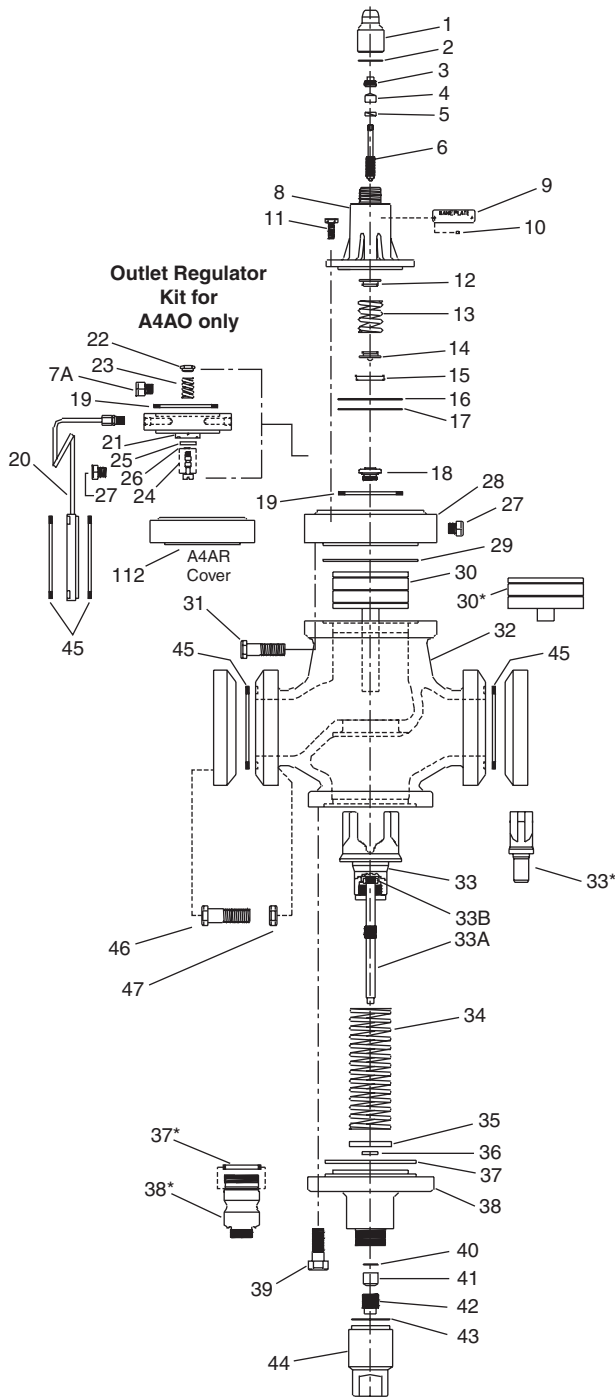
Item	Description	Quantity	Kit No.
<b>Gasket Kits</b>			
<i>Includes complete set of gaskets plus "O" Rings if applicable</i>			
2, 16(2), 19(2), 25,26,29,37, 43, 45(3)	<b>Gasket Kit A4</b>		202114

Item	Description	Quantity	Kit No.
<b>Individual Gaskets</b>			
<i>"O" Rings &amp; Valve Pk'g sold and packaged in quantities only as indicated.</i>			
29	Gasket Pkg, Adapter	3	202397
37	"O" Ring/Gasket Pkg, Bottom Cap	6	202374
43	Gasket Pkg, Seal Cap (Bottom)	12	202408
2	Gasket Pkg, Seal Cap (Top)	12	202408
45	Gasket Pkg, Flange	12	202081
4	Packing Pkg, Stem (Top)	25	202478
41	Packing Pkg, Stem (Bottom)	25	202478

Item	Description	Quantity	Kit No.
<b>Bolt Package Kits</b>			
11	Bolt Package, A4A Bonnet	8	202246
	Bolt Package, A4AO Bonnet	8	202247
31	Bolt Package, Adapter	8	202249
39	Bolt Package, Bottom Cap	6	202251

Item	Description	Quantity	Kit No.
<b>Flange Bolt Package</b>			
<i>Includes bolts and nuts; no gaskets</i>			
46	Nut 5/8"-11	4	
47	Bolt 5/8"-11x 3-1/4"	4	
46, 47	<b>Flange Bolt Kit</b>		201604

Includes A4A, A4AE, A4AK, A4AR, A4AO



\* For port sizes 20mm thru 32mm (3/4" thru 1 1/4") only.

50mm (2") Parts Kits

Item	Description	Quantity	Kit No.
1	Seal Cap	1	
2	Seal Cap Gasket	1	
1-2	<b>Cap Kit, Seal</b>		202110
3	Nut, Packing	1	
4	Packing, Stem	1	
5	Washer, Flat	1	
3-5	<b>Packing Kit, Stem</b>		202100
6	Stem, Adjusting	1	
4-6	<b>Stem Kit, Adjusting</b>		202120
12	Plate, Spring, Upper	1	
13	Spring, Comp.	1	
14	Plate, Spring, Lower	1	
15	Follower, Diaphragm	1	
3-5, 6, 12-15	<b>Spring/Stem Kit</b>		
	Range A, V		202006
	Range D		202007
8	Bonnet	1	
11	Screw, Hex Head	8	
16	Bonnet Gasket	1	
1-6, 8, 11-16	<b>Spring Kit with Bonnet</b>		
	Range A, V		202008
	Range D		202009
12-14, 16	<b>Spring Kit, Less Bonnet</b>		
	Range A/V		202481
	Range D		202482
17	Diaphragm	1	
19	Gasket	1	
16,17, 19	<b>Diaphragm Kit</b>		
	Range A, V		200770
17	Diaphragms - Range D	2	
16,17, 19	<b>Diaphragm Kit - Range D</b>		200771
16-19	<b>VC Vacuum Cartridge</b>		202004
16-19	<b>Pilot Seat/Diaphragm Kit (not A4AO)</b>		
	Range A		202000
	Range V		202004
	Range D		202002
20	Ring/Tube Assembly, Flange	1	
45	Gasket	1	
20, 45	<b>Flange Ring/Tube Kit (A4AO, A4AL)</b>		200443
21	Adapter	1	
22	Nut, Retainer	1	
23	Spring	1	
24	Plug, Pilot	1	
25	O-Ring	1	
26	O-Ring	1	
19, 21-26	<b>A4AO Outlet Regulator Kit (OR-50)</b>		200516
27	<b>Plug Pkg, 1/4" NPT</b>	5	202552
28	Adapter		
29	Gasket		
19,28, 29	<b>Adapter Kit</b>		200725
30	Piston/Stem Assembly	1	
29,30	<b>Piston Kit</b>		200389
32	Valve Body		N/A
34	Spring, Comp.	1	
35	Washer, Flat	1	
36	Wiper, Dirt	1	
37	"O" Ring	1	
34-37	<b>Spring Kit, Closing</b>		
	A4A		202302
	A4AK		202302

Item	Description	Quantity	Kit No.
33	Plug/Stem Assembly	1	
40	Washer, Flat	1	
41	Packing, Stem	1	
42	Nut, Packing	1	
33, 34-37, 40-42	<b>Plug Kit, Modulating</b>		
	Full Capacity	A4A	202025
		A4AK	202025
	35% Capacity	A4A	**
		A4AK	**
40	Washer, Flat	1	
41	Packing, Stem	1	
42	Nut, Packing	1	
40-42	<b>Packing Kit, Stem</b>		202100
43	Gasket	1	
44	Seal Cap	1	
43, 44	<b>Seal Cap Kit</b>		202110
33-38, 40-44	<b>Bottom Assembly Kit</b>		
	Full Capacity	A4A	202014
		A4AK	202014
3-6, 12-19, 29, 30, 33-37, 40-42	<b>Regulator Repair Kit (All except A4AK)</b>		
	Full Capacity	Range A	202053
		Range V	202052
		Range D	202054
112	Cover, Top	1	
29,112	<b>A4AR Cover Kit</b>		200673

Item	Description	Quantity	Kit No.
<b>Gasket Kits</b>			
<i>Includes complete set of gaskets plus "O" Rings if applicable</i>			
2, 16(2), 19(2), 25,26,29,37, 43, 45(3)	<b>Gasket Kit A4</b>		202114

**Individual Gaskets**

*"O" Rings & Valve Pk'g sold and packaged in quantities only as indicated.*

Item	Description	Quantity	Kit No.
29	Gasket Pkg, Adapter	3	202397
37	"O" Ring/Gasket Pkg, Bottom Cap	6	202374
43	Gasket Pkg, Seal Cap (Bottom)	12	202408
2	Gasket Pkg, Seal Cap (Top)	12	202408
45	Gasket Pkg, Flange	12	202081
4	Packing Pkg, Stem (Top)	25	202478
41	Packing Pkg, Stem (Bottom)	25	202478

**Bolt Package Kits**

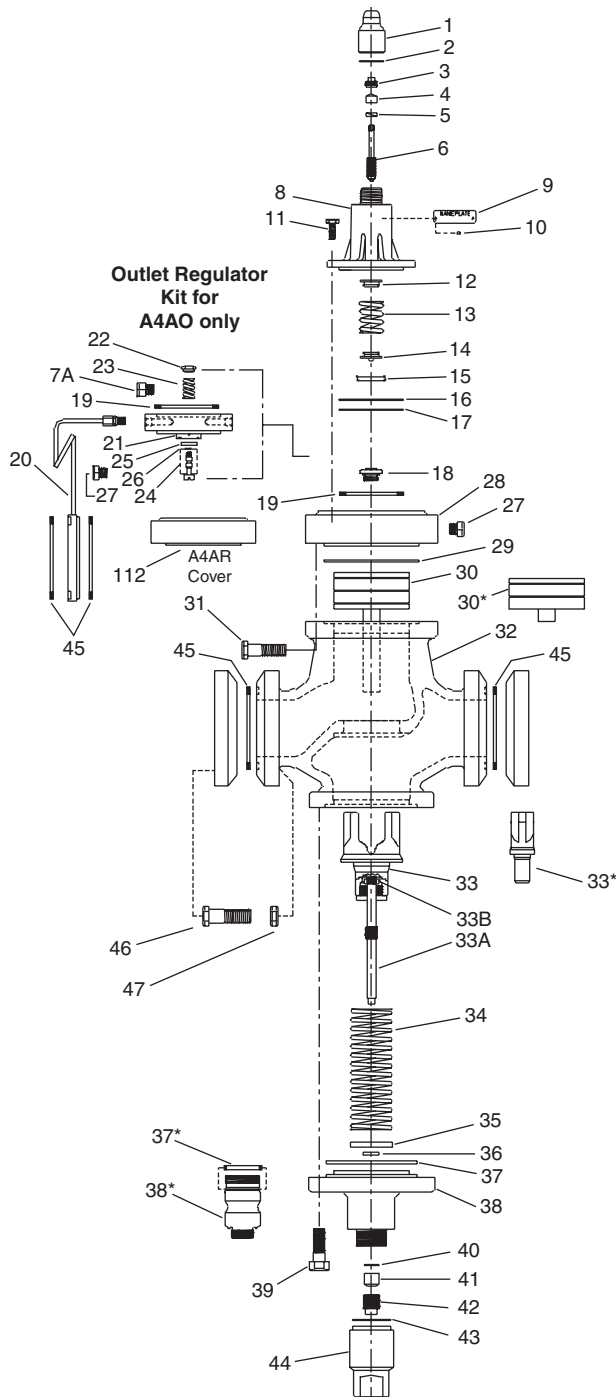
Item	Description	Quantity	Kit No.
11	Bolt Package, A4A Bonnet	8	202246
	Bolt Package, A4AO Bonnet	8	202247
31	Bolt Package, Adapter	8	202249
39	Bolt Package, Bottom Cap	6	202251

**Flange Bolt Package**

*Includes bolts and nuts; no gaskets*

Item	Description	Quantity	Kit No.
46	Nut 5/8"-11	4	
47	Bolt 5/8"-11x 3-1/4"	4	
46, 47	<b>Flange Bolt Kit</b>		201604

Includes A4A, A4AE, A4AK, A4AR, A4AO



\* For port sizes 20mm thru 32mm (3/4" thru 1 1/4") only.

**65mm (2 1/2") Parts Kits**

Item	Description	Quantity	Kit No.
1	Seal Cap	1	
2	Seal Cap Gasket	1	
1-2	<b>Cap Kit, Seal</b>		202110
3	Nut, Packing	1	
4	Packing, Stem	1	
5	Washer, Flat	1	
3-5	<b>Packing Kit, Stem</b>		202100
6	Stem, Adjusting	1	
4-6	<b>Stem Kit, Adjusting</b>		202120
12	Plate, Spring, Upper	1	
13	Spring, Comp.	1	
14	Plate, Spring, Lower	1	
15	Follower, Diaphragm	1	
3-5, 6, 12-15	<b>Spring/Stem Kit</b>		
	Range A, V		202006
	Range D		202007
8	Bonnet	1	
11	Screw, Hex Head	8	
16	Bonnet Gasket	1	
1-6, 8, 11-16	<b>Spring Kit with Bonnet</b>		
	Range A, V		202008
	Range D		202009
12-14, 16	<b>Spring Kit, Less Bonnet</b>		
	Range A/V		202481
	Range D		202482
17	Diaphragm	1	
19	Gasket	1	
16,17, 19	<b>Diaphragm Kit</b>		
	Range A, V		200770
17	Diaphragms - Range D	2	
16,17, 19	<b>Diaphragm Kit - Range D</b>		200771
16-19	<b>VC Vacuum Cartridge</b>		202004
16-19	<b>Pilot Seat/Diaphragm Kit (not A4AO)</b>		
	Range A		202001
	Range V		202004
	Range D		202003
20	Ring/Tube Assembly, Flange	1	
45	Gasket	1	
20, 45	<b>Flange Ring/Tube Kit (A4AO, A4AL)</b>		200445
21	Adapter	1	
22	Nut, Retainer	1	
23	Spring	1	
24	Plug, Pilot	1	
25	O-Ring	1	
26	O-Ring	1	
19, 21-26	<b>A4AO Outlet Regulator Kit (OR-200)</b>		200517
27	<b>Plug Pkg, 1/4" NPT</b>	5	202552
28	Adapter		
29	Gasket		
19,28, 29	<b>Adapter Kit</b>		200685
30	Piston/Stem Assembly	1	
29,30	<b>Piston Kit</b>		200391
32	Valve Body		N/A
34	Spring, Comp.	1	
35	Washer, Flat	1	
36	Wiper, Dirt	1	
37	"O" Ring	1	
34-37	<b>Spring Kit, Closing</b>		
	A4A		202303
	A4AK		202303

Item	Description	Quantity	Kit No.
33	Plug/Stem Assembly	1	
40	Washer, Flat	1	
41	Packing, Stem	1	
42	Nut, Packing	1	
33, 34-37, 40-42	<b>Plug Kit, Modulating</b>		
	Full Capacity	A4A	202026
		A4AK	202026
	35% Capacity	A4A	202033
		A4AK	202033
40	Washer, Flat	1	
41	Packing, Stem	1	
42	Nut, Packing	1	
40-42	<b>Packing Kit, Stem</b>		202100
43	Gasket	1	
44	Seal Cap	1	
43, 44	<b>Seal Cap Kit</b>		202110
33-38, 40-44	<b>Bottom Assembly Kit</b>		
	Full Capacity	A4A	202015
		A4AK	202015
3-6, 12-19, 29, 30, 33-37, 40-42	<b>Regulator Repair Kit (All except A4AK)</b>		
	Full Capacity	Range A	202056
		Range V	202055
		Range D	202057
112	Cover, Top	1	
29,112	<b>A4AR Cover Kit</b>		200690

Item	Description	Quantity	Kit No.
<b>Gasket Kits</b>			
<i>Includes complete set of gaskets plus "O" Rings if applicable</i>			
2, 16(2), 19(2), 25,26,29,37, 43, 45(3)	<b>Gasket Kit A4</b>		202115

**Individual Gaskets**  
*"O" Rings & Valve Pk'g sold and packaged in quantities only as indicated.*

Item	Description	Quantity	Kit No.
29	Gasket Pkg, Adapter	3	202396
37	"O" Ring/Gasket Pkg, Bottom Cap	6	202374
43	Gasket Pkg, Seal Cap (Bottom)	12	202408
2	Gasket Pkg, Seal Cap (Top)	12	202408
45	Gasket Pkg, Flange	12	202082
4	Packing Pkg, Stem (Top)	25	202478
41	Packing Pkg, Stem (Bottom)	25	202478

**Bolt Package Kits**

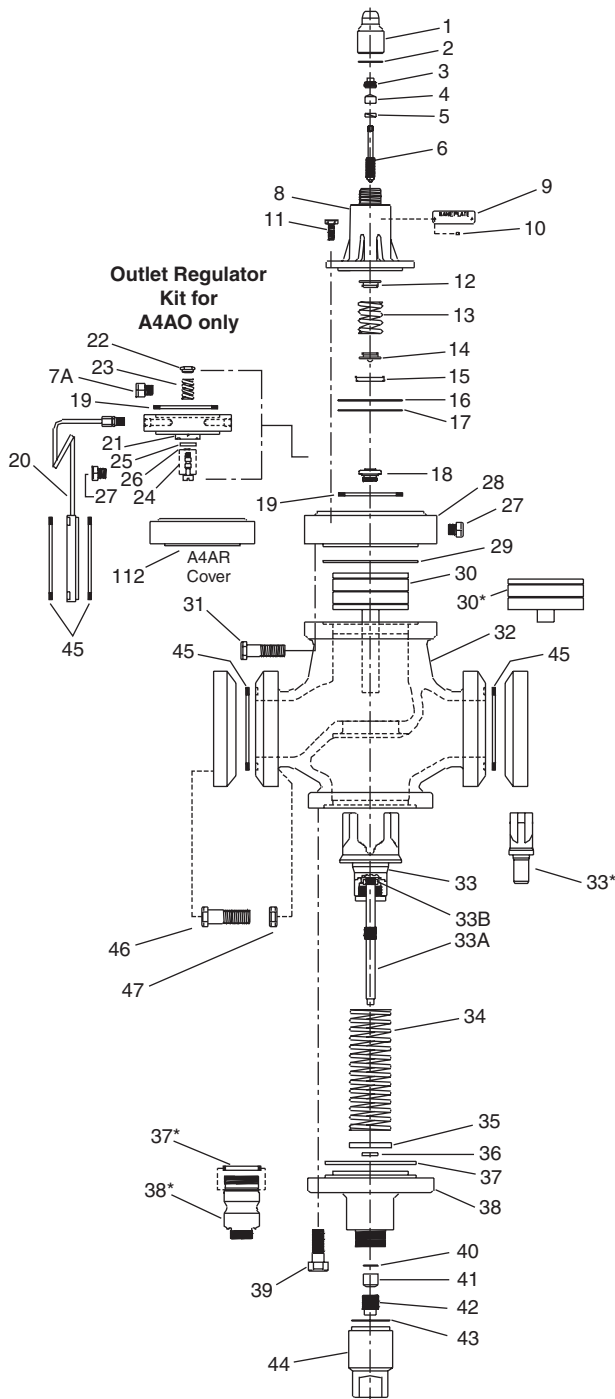
Item	Description	Quantity	Kit No.
11	Bolt Package, A4A Bonnet	8	202246
	Bolt Package, A4AO Bonnet	8	202247
31	Bolt Package, Adapter	8	202249
39	Bolt Package, Bottom Cap	6	202251

**Flange Bolt Package**

*Includes bolts and nuts; no gaskets*

Item	Description	Quantity	Kit No.
46	Nut 3/4"-10	4	
47	Bolt 3/4"-10 x 3-3/4"	4	
46, 47	<b>Flange Bolt Kit</b>		201611

Includes A4A, A4AE, A4AK, A4AR, A4AO



\* For port sizes 20mm thru 32mm (3/4" thru 1 1/4") only.

**75mm (3") Parts Kits**

Item	Description	Quantity	Kit No.
1	Seal Cap	1	
2	Seal Cap Gasket	1	
1-2	<b>Cap Kit, Seal</b>		202110
3	Nut, Packing	1	
4	Packing, Stem	1	
5	Washer, Flat	1	
3-5	<b>Packing Kit, Stem</b>		202100
6	Stem, Adjusting	1	
4-6	<b>Stem Kit, Adjusting</b>		202120
12	Plate, Spring, Upper	1	
13	Spring, Comp.	1	
14	Plate, Spring, Lower	1	
15	Follower, Diaphragm	1	
3-5, 6, 12-15	<b>Spring/Stem Kit</b>		
	Range A, V		202006
	Range D		202007
8	Bonnet	1	
11	Screw, Hex Head	8	
16	Bonnet Gasket	1	
1-6, 8, 11-16	<b>Spring Kit with Bonnet</b>		
	Range A, V		202008
	Range D		202009
12-14, 16	<b>Spring Kit, Less Bonnet</b>		
	Range A/V		202481
	Range D		202482
17	Diaphragm	1	
19	Gasket	1	
16,17, 19	<b>Diaphragm Kit</b>		
	Range A, V		200770
17	Diaphragms - Range D	2	
16,17, 19	<b>Diaphragm Kit - Range D</b>		200771
16-19	<b>VC Vacuum Cartridge</b>		202004
16-19	<b>Pilot Seat/Diaphragm Kit (not A4AO)</b>		
	Range A		202001
	Range V		202004
	Range D		202003
20	Ring/Tube Assembly, Flange	1	
45	Gasket	1	
20, 45	<b>Flange Ring/Tube Kit (A4AO, A4AL)</b>		200447
21	Adapter	1	
22	Nut, Retainer	1	
23	Spring	1	
24	Plug, Pilot	1	
25	O-Ring	1	
26	O-Ring	1	
19, 21-26	<b>A4AO Outlet Regulator Kit (OR-200)</b>		200517
27	<b>Plug Pkg, 1/4" NPT</b>	5	202552
28	Adapter		
29	Gasket		
19,28, 29	<b>Adapter Kit</b>		200713
30	Piston/Stem Assembly	1	
29,30	<b>Piston Kit</b>		200393
32	Valve Body		N/A
34	Spring, Comp.	1	
35	Washer, Flat	1	
36	Wiper, Dirt	1	
37	"O" Ring	1	
34-37	<b>Spring Kit, Closing</b>		
	A4A		202304
	A4AK		202304

Item	Description	Quantity	Kit No.
33	Plug/Stem Assembly	1	
40	Washer, Flat	1	
41	Packing, Stem	1	
42	Nut, Packing	1	
33, 34-37, 40-42	<b>Plug Kit, Modulating</b>		
	Full Capacity	A4A	202027
		A4AK	202027
	35% Capacity	A4A	202034
		A4AK	202014
40	Washer, Flat	1	
41	Packing, Stem	1	
42	Nut, Packing	1	
40-42	<b>Packing Kit, Stem</b>		202101
43	Gasket	1	
44	Seal Cap	1	
43, 44	<b>Seal Cap Kit</b>		202111
33-38, 40-44	<b>Bottom Assembly Kit</b>		
	Full Capacity	A4A	202016
		A4AK	202016
3-6, 12-19, 29, 30, 33-37, 40-42	<b>Regulator Repair Kit (All except A4AK)</b>		
	Full Capacity	Range A	202059
		Range V	202058
		Range D	202060
112	Cover, Top	1	
29,112	<b>A4AR Cover Kit</b>		200676

Item	Description	Quantity	Kit No.
<b>Gasket Kits</b>			
<i>Includes complete set of gaskets plus "O" Rings if applicable</i>			
2, 16(2), 19(2), 25,26,29,37, 43, 45(3)	<b>Gasket Kit A4</b>		202116

**Individual Gaskets**

*"O" Rings & Valve Pk'g sold and packaged in quantities only as indicated.*

Item	Description	Quantity	Kit No.
29	Gasket Pkg, Adapter	3	202399
37	"O" Ring/Gasket Pkg, Bottom Cap	3	202382
43	Gasket Pkg, Seal Cap (Bottom)	5	202404
2	Gasket Pkg, Seal Cap (Top)	12	202408
45	Gasket Pkg, Flange	12	202083
4	Packing Pkg, Stem (Top)	25	202478
41	Packing Pkg, Stem (Bottom)	5	202479

**Bolt Package Kits**

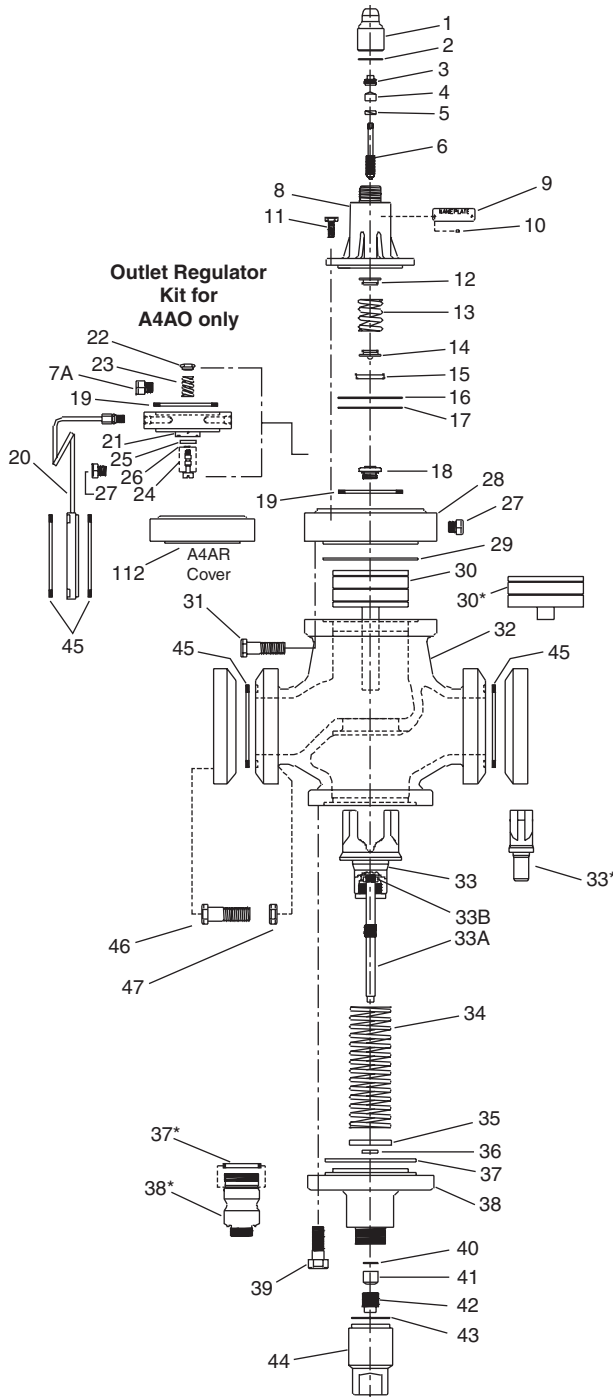
Item	Description	Quantity	Kit No.
11	Bolt Package, A4A Bonnet	8	202246
	Bolt Package, A4AO Bonnet	8	202247
31	Bolt Package, Adapter	6	202250
39	Bolt Package, Bottom Cap	6	202252

**Flange Bolt Package**

*Includes bolts and nuts; no gaskets*

Item	Description	Quantity	Kit No.
46	Nut 3/4"-10	4	
47	Bolt 3/4"-10 x 3-3/4"	4	
46, 47	<b>Flange Bolt Kit</b>		201611

Includes A4A, A4AE, A4AK, A4AR, A4AO



\* For port sizes 20mm thru 32mm (3/4" thru 1 1/4") only.

**100mm (4") Parts Kits**

Item	Description	Quantity	Kit No.
1	Seal Cap	1	
2	Seal Cap Gasket	1	
1-2	<b>Cap Kit, Seal</b>		202110
3	Nut, Packing	1	
4	Packing, Stem	1	
5	Washer, Flat	1	
3-5	<b>Packing Kit, Stem</b>		202100
6	Stem, Adjusting	1	
4-6	<b>Stem Kit, Adjusting</b>		202120
12	Plate, Spring, Upper	1	
13	Spring, Comp.	1	
14	Plate, Spring, Lower	1	
15	Follower, Diaphragm	1	
3-5, 6, 12-15	<b>Spring/Stem Kit</b>		
	Range A, V		202006
	Range D		202007
8	Bonnet	1	
11	Screw, Hex Head	8	
16	Bonnet Gasket	1	
1-6, 8, 11-16	<b>Spring Kit with Bonnet</b>		
	Range A, V		202008
	Range D		202009
12-14, 16	<b>Spring Kit, Less Bonnet</b>		
	Range A/V		202481
	Range D		202482
17	Diaphragm	1	
19	Gasket	1	
16,17, 19	<b>Diaphragm Kit</b>		
	Range A, V		200770
17	Diaphragms - Range D	2	
16,17, 19	<b>Diaphragm Kit - Range D</b>		200771
16-19	<b>VC Vacuum Cartridge</b>		202004
16-19	<b>Pilot Seat/Diaphragm Kit (not A4AO)</b>		
	Range A		202001
	Range V		202004
	Range D		202003
20	Ring/Tube Assembly, Flange	1	
45	Gasket	1	
20, 45	<b>Flange Ring/Tube Kit (A4AO, A4AL)</b>		200449
21	Adapter	1	
22	Nut, Retainer	1	
23	Spring	1	
24	Plug, Pilot	1	
25	O-Ring	1	
26	O-Ring	1	
19, 21-26	<b>A4AO Outlet Regulator Kit (OR-200)</b>		200517
27	<b>Plug Pkg, 1/4" NPT</b>	5	202552
28	Adapter		
29	Gasket		
19,28, 29	<b>Adapter Kit</b>		200716
30	Piston/Stem Assembly	1	
29,30	<b>Piston Kit</b>		200227
32	Valve Body		N/A
34	Spring, Comp.	1	
35	Washer, Flat	1	
36	Wiper, Dirt	1	
37	"O" Ring	1	
34-37	<b>Spring Kit, Closing</b>		
	A4A		202305
	A4AK		202305

Item	Description	Quantity	Kit No.
33	Plug/Stem Assembly	1	
40	Washer, Flat	1	
41	Packing, Stem	1	
42	Nut, Packing	1	
33, 34-37, 40-42	<b>Plug Kit, Modulating</b>		
	Full Capacity	A4A	202028
		A4AK	202028
	35% Capacity	A4A	202035
		A4AK	202035
40	Washer, Flat	1	
41	Packing, Stem	1	
42	Nut, Packing	1	
40-42	<b>Packing Kit, Stem</b>		202101
43	Gasket	1	
44	Seal Cap	1	
43, 44	<b>Seal Cap Kit</b>		202111
33-38, 40-44	<b>Bottom Assembly Kit</b>		
	Full Capacity	A4A	202017
		A4AK	202017
3-6, 12-19, 29, 30, 33-37, 40-42	<b>Regulator Repair Kit (All except A4AK)</b>		
	Full Capacity	Range A	202062
		Range V	202061
		Range D	202063
112	Cover, Top	1	
29,112	<b>A4AR Cover Kit</b>		200677

Item	Description	Quantity	Kit No.
<b>Gasket Kits</b>			
<i>Includes complete set of gaskets plus "O" Rings if applicable</i>			
2, 16(2), 19(2), 25,26,29,37, 43, 45(3)	<b>Gasket Kit A4</b>		202117

**Individual Gaskets**

*"O" Rings & Valve Pk'g sold and packaged in quantities only as indicated.*

Item	Description	Quantity	Kit No.
29	Gasket Pkg, Adapter	3	202400
37	"O" Ring/Gasket Pkg, Bottom Cap	3	202383
43	Gasket Pkg, Seal Cap (Bottom)	5	202404
2	Gasket Pkg, Seal Cap (Top)	12	202408
45	Gasket Pkg, Flange	12	202084
4	Packing Pkg, Stem (Top)	25	202478
41	Packing Pkg, Stem (Bottom)	5	202479

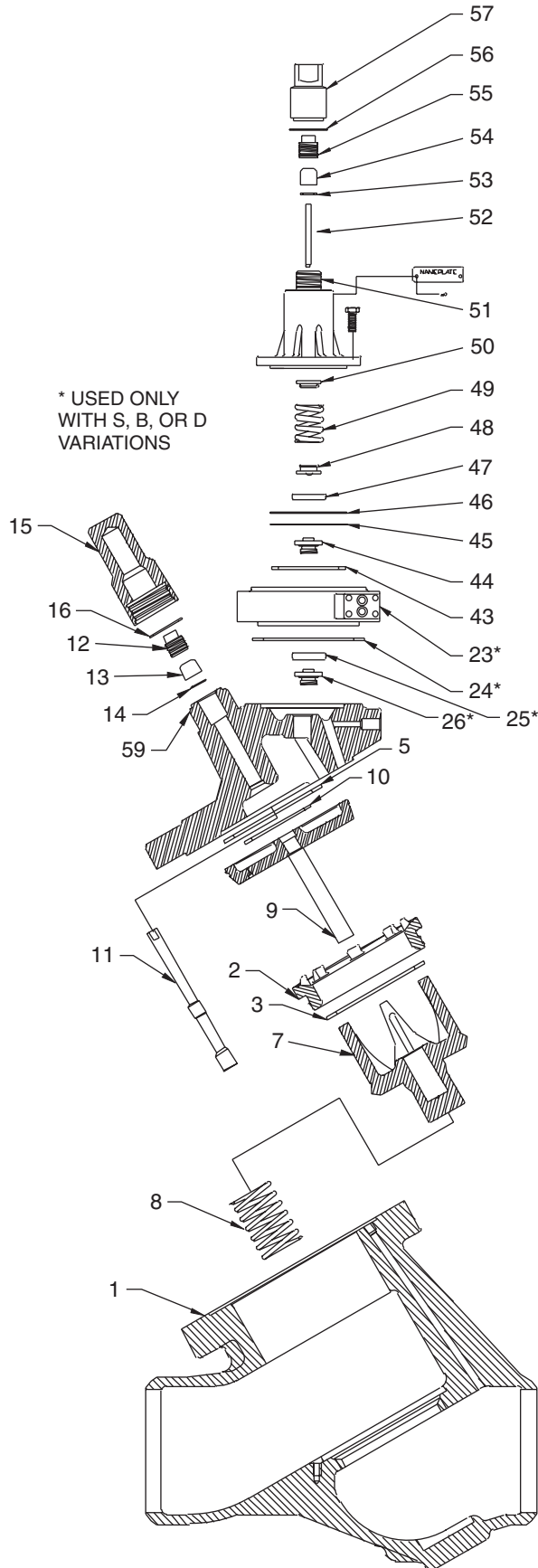
**Bolt Package Kits**

Item	Description	Quantity	Kit No.
11	Bolt Package, A4A Bonnet	8	202246
	Bolt Package, A4AO Bonnet	8	202247
31	Bolt Package, Adapter	6	202250
39	Bolt Package, Bottom Cap	6	202252

**Flange Bolt Package**

*Includes bolts and nuts; no gaskets*

Item	Description	Quantity	Kit No.
46	Nut 7/8"-9	4	
47	Bolt 7/8"-9 x 4-1/2"	4	
46, 47	<b>Flange Bolt Kit</b>		201620

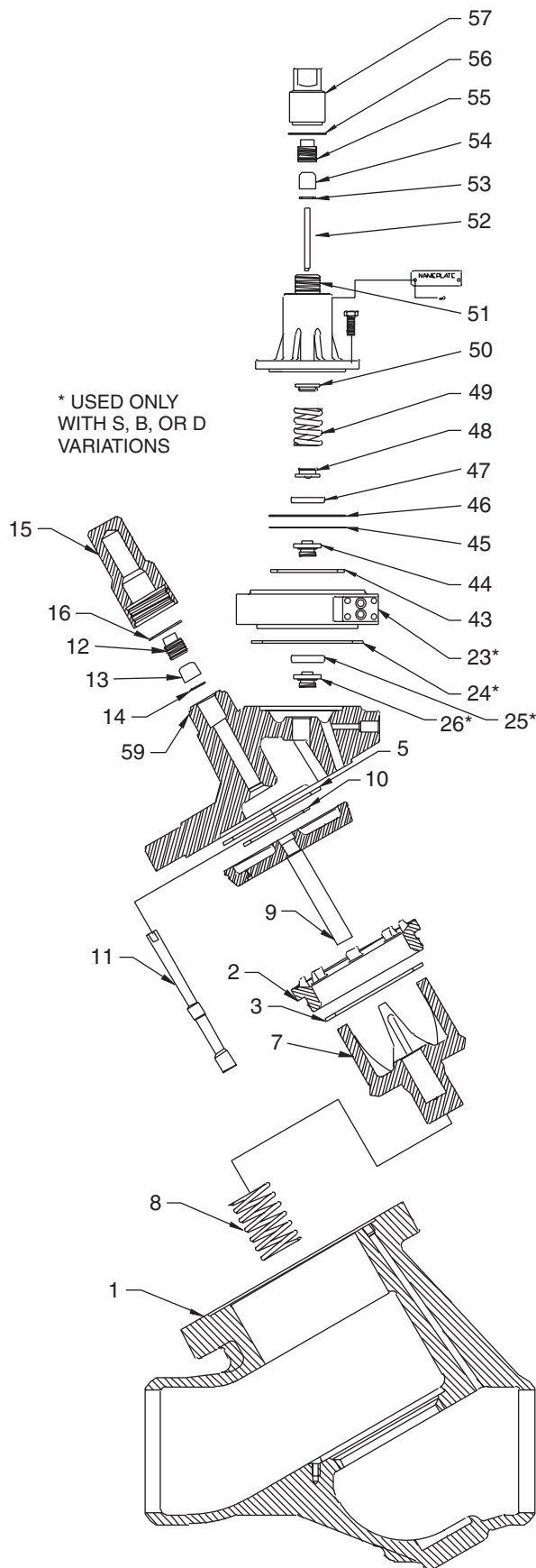


**125mm (5") Parts Kits**

Item	Description	Quantity	Kit No.
1	Valve Body		N/A
2	Seat, Valve	1	
3	O-Ring	1	
4	Screw, Hex Head	1	
5	Gasket	1	
6	Wrench, Seat	1	
2-6	<b>Seat Kit, Main Valve</b>		201534
7	Plug, Modulating	1	
8	Spring	1	
2-8	<b>Plug Kit, Modulating</b>		201537
9	Piston Stem	1	
10	Ring, Seal	1	
5, 9-10	<b>Piston Kit</b>		201540
11	Stem, Manual Opening	1	
12	Nut, Packing	1	
13	Packing, Stem	1	
14	Washer, Flat	1	
5, 11-14	<b>Stem Kit, Opening</b>		201546
12-14	<b>Packing Kit, Opening Stem</b>		202101
15	Seal Cap	1	
16	O-Ring	1	
15-16	<b>Cap Kit, Seal</b>		201549
17	Bolt, Hex Head	6	
18	Nut	8	
19	Stud	2	
5, 17-19	<b>Bolt Kit</b>		201552
21	Plug, Pipe	1	
23	Adapter	1	
24	Gasket	2	
25	O-Ring	1	
26	Insert, Seal	1	
68	Screw	8	
21, 23-26, 68	<b>Adapter Kit, Series</b>		200564
24-26	<b>Adapter Kit, Seal</b>		202333
43	Gasket	1	
44	Seat, Pilot		
45	Diaphragm	1	
46	Gasket	1	
43, 45, 46	<b>Diaphragm Kit, Range A &amp; V</b>		200770
	<b>Diaphragm Kit, Range D (two #45)</b>		200771
43-46	<b>Seat/Diaphragm Kit, Range A (Not A4WOE)</b>		202001
	<b>Seat Kit, Pilot, Range V (Not A4WOE)</b>		202004
	<b>Seat Kit, Pilot, Range D (Not A4WOE)</b>		202003
	(includes two #45)		
3,5,10, 16,45	<b>Gasket Kit</b>		201558
47	Follower, Diaphragm	1	
48	Plate, Spring, Lower	1	
49	Spring, Comp.	1	
50	Plate, Spring, Upper	1	
52	Stem, Adjusting	1	
53	Washer, Flat	1	
54	Packing, Stem	1	
55	Nut, Packing	1	
46, 48-50	<b>Spring Kit, Range A &amp; V</b>		202481
	<b>Spring Kit, Range D</b>		202482
47-50,	<b>Spring Stem Kit, Range A &amp; V</b>		202006
52-55	<b>Spring Stem Kit, Range D</b>		202007
52-54	<b>Stem Kit, Adjusting</b>		202120

Item	Description	Quantity	Kit No.
51	Bonnet	1	
56	Gasket	1	
57	Seal Cap	1	
58	Screw, Hex Head**	8	
56-57	<b>Seal Cap Kit</b>		202110
47-58	<b>Bonnet/Spring Kit, Range A &amp; V</b>		202008
	<b>Bonnet, Spring Kit, Range D</b>		202009
59	Adapter/Cover	1	
5, 13, 21 43, 59	<b>Adapter/Cover Kit</b>		202861
	<b>Outlet Regulator Kit (OR-200), Not Shown</b> Use with A4WOE		200517
<b>Bolts</b>			
	<b>Bolt Package, A4W Bonnet</b> Bolts, 5/16" - 18 x 7/8" Lg.	8	202246
	<b>Bolt Package, A4WOE Bonnet</b> Bolts, 5/16" - 18 x 1-3/4" Lg.	8	202247
	<b>Bolts, A4WD, S, or B Bonnet</b> Bolts, 5/16" - 18 x 1-3/4" Lg.	8	202247
<b>Packages</b>			
21	Plug Package, 1/4" NPT	5	202552
54	Stem Packing Package	25	202478
56	Gasket Package/Seal Cap	12	202408

See also Modules A2D, S6A and S6B.

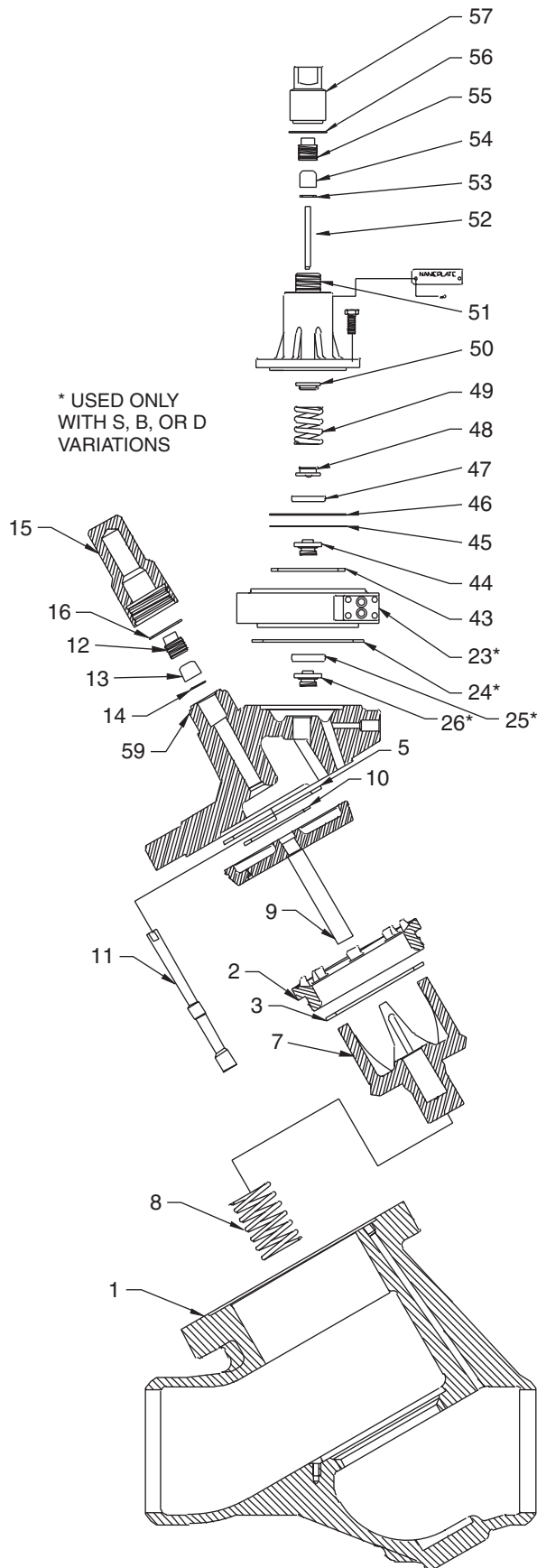


**150mm (6") Parts Kits**

Item	Description	Quantity	Kit No.
1	Valve Body		N/A
2	Seat, Valve	1	
3	O-Ring	1	
4	Screw, Hex Head	1	
5	Gasket	1	
6	Wrench, Seat	1	
2-6	<b>Seat Kit, Main Valve</b>		201535
7	Plug, Modulating	1	
8	Spring	1	
2-8	<b>Plug Kit, Modulating</b>		201538
9	Piston Stem	1	
10	Ring, Seal	1	
5, 9-10	<b>Piston Kit</b>		201541
11	Stem, Manual Opening	1	
12	Nut, Packing	1	
13	Packing, Stem	1	
14	Washer, Flat	1	
5, 11-14	<b>Stem Kit, Opening</b>		201547
12-14	<b>Packing Kit, Opening Stem</b>		202101
15	Seal Cap	1	
16	O-Ring	1	
15-16	<b>Cap Kit, Seal</b>		201550
17	Bolt, Hex Head	6	
18	Nut	8	
19	Stud	2	
5, 17-19	<b>Bolt Kit</b>		201553
21	Plug, Pipe	1	
23	Adapter	1	
24	Gasket	2	
25	O-Ring	1	
26	Insert, Seal	1	
68	Screw	8	
21, 23-26, 68	<b>Adapter Kit, Series</b>		200564
24-26	<b>Adapter Kit, Seal</b>		202333
43	Gasket	1	
44	Seat, Pilot		
45	Diaphragm	1	
46	Gasket	1	
43, 45, 46	<b>Diaphragm Kit, Range A &amp; V</b>		200770
	<b>Diaphragm Kit, Range D (two #45)</b>		200771
43-46	<b>Seat/Diaphragm Kit, Range A (Not A4WOE)</b>		202001
	<b>Seat/Diaphragm Kit, Range V (Not A4WOE)</b>		202004
	<b>Seat/Diaphragm Kit, Range D (Not A4WOE)</b>		202003
	(includes two #45)		
3,5,10, 16,45	<b>Gasket Kit</b>		201559
47	Follower, Diaphragm	1	
48	Plate, Spring, Lower	1	
49	Spring, Comp.	1	
50	Plate, Spring, Upper	1	
52	Stem, Adjusting	1	
53	Washer, Flat	1	
54	Packing, Stem	1	
55	Nut, Packing	1	
46, 48-50	<b>Spring Kit, Range A &amp; V</b>		202481
	<b>Spring Kit, Range D</b>		202482
47-50,	<b>Spring Stem Kit, Range A &amp; V</b>		202006
52-55	<b>Spring Stem Kit, Range D</b>		202007
52-54	<b>Stem Kit, Adjusting</b>		202120

**Parts Kits Reference**

Item	Description	Quantity	Kit No.
51	Bonnet	1	
56	Gasket	1	
57	Seal Cap	1	
58	Screw, Hex Head**	8	
56-57	<b>Seal Cap Kit</b>		202110
47-58	<b>Bonnet/Spring Kit, Range A &amp; V</b>		202008
	<b>Bonnet, Spring Kit, Range D</b>		202009
59	Adapter/Cover	1	
5, 13, 21 43, 59	<b>Adapter/Cover Kit</b>		202484
	<b>Outlet Regulator Kit (OR-200), Not Shown</b> Use with A4WOE		200517
<b>Bolts</b>			
	<b>Bolt Package, A4W Bonnet</b> Bolts, 5/16"- 18 x 7/8" Lg.	8	202246
	<b>Bolt Package, A4WOE Bonnet</b> Bolts, 5/16"- 18 x 1-3/4" Lg.	8	202247
	<b>Bolts, A4WD, S, or B Bonnet</b> Bolts, 5/16"- 18 x 1-3/4" Lg.	8	202247
<b>Packages</b>			
21	Plug Package, 1/4" NPT	5	202552
54	Stem Packing Package	25	202478
56	Gasket Package/Seal Cap	12	202408



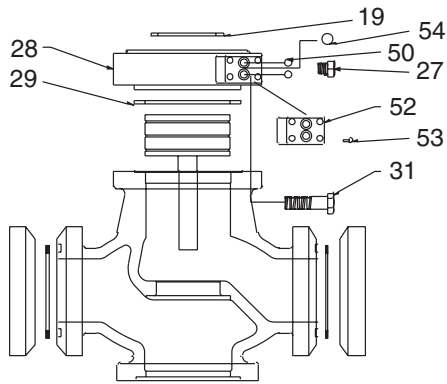
**200mm (8") Parts Kits**

Item	Description	Quantity	Kit No.
1	Valve Body		N/A
2	Seat, Valve	1	
3	O-Ring	1	
4	Screw, Hex Head	1	
5	Gasket	1	
6	Wrench, Seat	1	
2-6	<b>Seat Kit, Main Valve</b>		201536
7	Plug, Modulating	1	
8	Spring	1	
2-8	<b>Plug Kit, Modulating</b>		201539
9	Piston Stem	1	
10	Ring, Seal	1	
5, 9-10	<b>Piston Kit</b>		201542
11	Stem, Manual Opening	1	
12	Nut, Packing	1	
13	Packing, Stem	1	
14	Washer, Flat	1	
5, 11-14	<b>Stem Kit, Opening</b>		201548
12-14	<b>Packing Kit, Opening Stem</b>		202101
15	Seal Cap	1	
16	O-Ring	1	
15-16	<b>Cap Kit, Seal</b>		201551
17	Bolt, Hex Head	6	
18	Nut	8	
19	Stud	2	
5, 17-19	<b>Bolt Kit</b>		201554
21	Plug, Pipe	1	
23	Adapter	1	
24	Gasket	2	
25	O-Ring	1	
26	Insert, Seal	1	
68	Screw	8	
21, 23-26, 68	<b>Adapter Kit, Series</b>		200564
24-26	<b>Adapter Kit, Seal</b>		202333
43	Gasket	1	
44	Seat, Pilot		
45	Diaphragm	1	
46	Gasket	1	
43, 45, 46	<b>Diaphragm Kit, Range A &amp; V</b>		200770
	<b>Diaphragm Kit, Range D (two #45)</b>		200771
43-46	<b>Seat/Diaphragm Kit, Range A (Not A4WOE)</b>		202001
	<b>Seat/Diaphragm Kit, Range V (Not A4WOE)</b>		202004
	<b>Seat/Diaphragm Kit, Range D (Not A4WOE)</b>		202003
	(includes two #45)		
3,5,10,16,45	<b>Gasket Kit</b>		201560
47	Follower, Diaphragm	1	
48	Plate, Spring, Lower	1	
49	Spring, Comp.	1	
50	Plate, Spring, Upper	1	
52	Stem, Adjusting	1	
53	Washer, Flat	1	
54	Packing, Stem	1	
55	Nut, Packing	1	
46, 48-50	<b>Spring Kit, Range A &amp; V</b>		202481
	<b>Spring Kit, Range D</b>		202482
47-50,	<b>Spring Stem Kit, Range A &amp; V</b>		202006
52-55,	<b>Spring Stem Kit, Range D</b>		202007
52-54	<b>Stem Kit, Adjusting</b>		202120

**Parts Kits Reference**

Item	Description	Quantity	Kit No.
51	Bonnet	1	
56	Gasket	1	
57	Seal Cap	1	
58	Screw, Hex Head**	8	
56-57	<b>Seal Cap Kit</b>		202110
47-58	<b>Bonnet/Spring Kit, Range A &amp; V</b>		202008
	<b>Bonnet, Spring Kit, Range D</b>		202009
59	Adapter/Cover	1	
5, 13, 21 43, 59	<b>Adapter/Cover Kit</b>		203099
	<b>Outlet Regulator Kit (OR-200), Not Shown</b> Use with A4WOE		200517
<b>Bolts</b>			
	<b>Bolt Package, A4W Bonnet</b> Bolts, 5/16"- 18 x 7/8" Lg.	8	202246
	<b>Bolt Package, A4WOE Bonnet</b> Bolts, 5/16"- 18 x 1-3/4" Lg.	8	202247
	<b>Bolts, A4WD, S, or B Bonnet</b> Bolts, 5/16"- 18 x 1-3/4" Lg.	8	202247
<b>Packages</b>			
21	Plug Package, 1/4" NPT	5	202552
54	Stem Packing Package	25	202478
56	Gasket Package/Seal Cap	12	202408

For use with A4AZ, A4AS, A4AB, A4AD



**MD/MP Parts Kits**

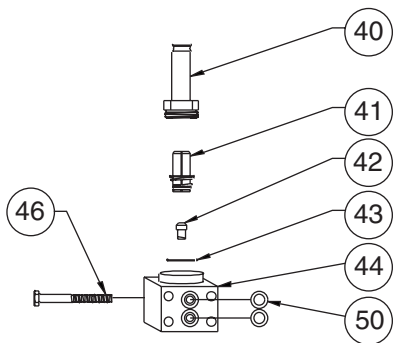
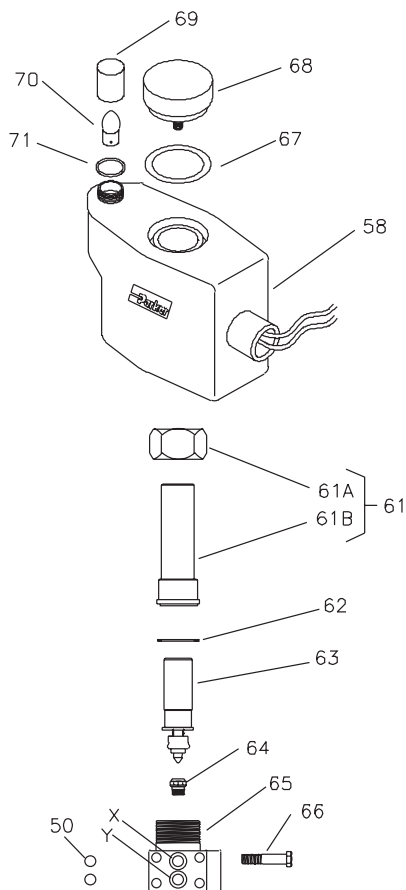
Item	Description	Quantity	Kit No.
19	Gasket	1	
27	Plug Pkg. 1/4" NPT	5	202552
28	Adapter	1	
29	Gasket	1	
19, 27-29, 31	<b>Adapter Kit "MD"</b>		
	20-25mm		200591
	32mm		200593
	40-50mm		200595
	65mm		200597
	75mm		200599
	100mm		200606
	125-200mm		See SMD below
50	O-Ring, "S", "D"	2	
52	Moduplate	1	
53	Screw	4	
54	O-Ring, "B"	1	
50, 52-54	<b>Moduplate Kit "MP"</b>		200518

**Series Moduadapter (SMD)**

Not shown, includes long bolts

	Use with 20-65mm (3/4" - 2 1/2") A4A	200564
	Use with 75-100mm (3" - 4") A4A	200566
	Use with 125-200mm (5" - 8") A4W	200564
19, 29	Seal Kit	202333

**For use with A4AS, A4AB, A4AD**



**S6A Parts Kits**

Item	Description	Quantity	Kit No.
58	Coil Assembly	1	C.F.
61B	Tube Assembly, Solenoid	1	
61A	Nut, Solenoid Tube	1	
62	Gasket	1	
61A, 61B, 62	<b>Tube Kit, Solenoid</b>		201036
50	O-Ring	2	Also see below
66	Bolts	4	
50,66	<b>Bolts, O-Ring Kit</b>		201574
62	Gasket	1	
63	Plunger/Needle Assembly	1	
62, 63	<b>Plunger Kit, Needle</b>		201019
	<b>Plunger Kit, Needle (DC only)</b>		201021
64	Seat Assembly	1	
62, 63, 64	<b>Plunger Seat Kit</b>		201630
65	Body, S6A		N/A
67	O-Ring	1	
68	Knob	1	
67-68	<b>Knob Kit</b>		205047
69	Lens	1	
71	O-Ring	1	
69, 71	<b>Lens Kit</b>	6	205279

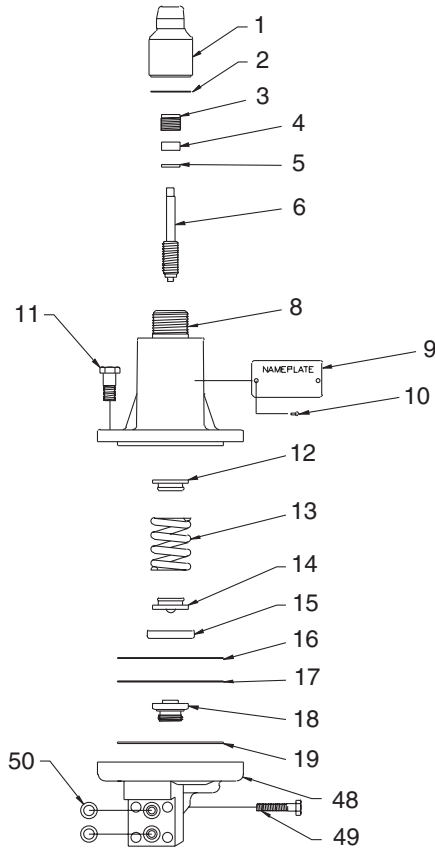
**Packages**

50	<b>O-Ring Package, Moduplate</b>	12	202424
70	Bulb	6	205282

**S6B Parts Kits**

Item	Description	Quantity	Kit No.
40			
41	Plunger	1	
42			
43	O-Ring	1	
41-43	<b>Solenoid Repair Kit</b>		204707
44	Body		N/A
46	Bolt	4	
50	O-Ring	2	
46, 50	<b>Bolt/O-Ring Kit</b>		201574

For use with A4AD



**A2D2, A2D MODULAR PRESSURE PILOT**  
A2D2 Port Sizes 20-50mm (3/4" - 2")  
A2D Port Sizes 65-100mm (2 1/2" - 4")

**A2D, A2D2 Parts Kits**

Item	Description	Quantity	Kit No.
1-2	Seal Cap Kit		202110
3-5	Packing Kit/Stem		202100
3-6, 12-15	Spring/Stem Kit		
	Range A/V		202006
	Range D		202007
1-6, 8, 11-16	Bonnet/Spring Kit		
	Range A/V		202008
	Range D		202009
12-14, 16	Spring Kit, Bonnet		
	Range A/V		202481
	Range D		202482
16, 17, 19	Diaphragm Kit		
	Range A/V		200770
	Range D (2 diaphragms)		200771
16-19	Seat Kit, Pilot		
	Range A		202001
	Range V		202004
	Range D		202003
48	Body		N/A
49	Bolt	4	
50	O-Ring	2	
49-50	Bolt/O-Ring Kit		201572

**Note:** Pressure Pilot A2D2 used on main valve sizes 20-50mm (3/4" - 2"). Pressure Pilot A2D used on main valve sizes 65-100mm (2 1/2" - 4").

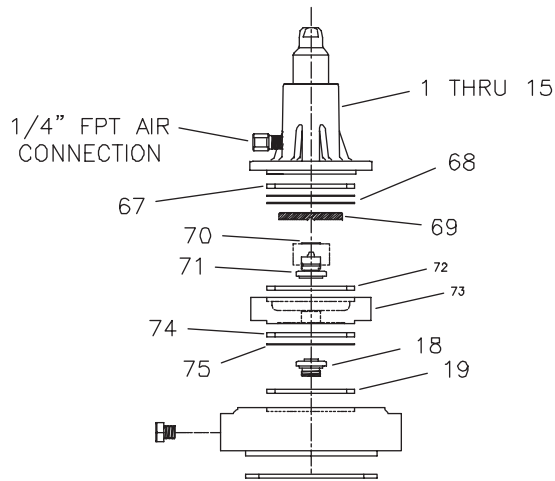
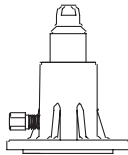
Repair kits indicated for the A2D2 and A2D are common parts used on the integral pressure pilot mounted on the A4A Series Regulator.

**Spare or Additional Parts Kits**

The following items are included in the above Kits in the exact quantity as required for field repair. If additional O-rings, gaskets or stem packing are desired for spare parts or future use, order from the following list.

Item No.	Description	Quantity	Kit Pkg. No.
2	Gasket Pkg/ Seal Cap	12	202408
50	O-Ring Pkg/ Moduplate	12	202424
4	Stem Packing, Pkg.	25	202478

**For use with A4AP, A4A3P**



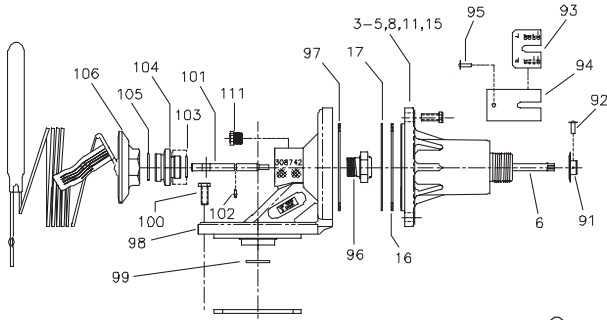
**A4AP Parts Kits**

Item	Description	Quantity	Kit No.
	Bonnet Kit (PK-1)		200520
	Bolt Pkg, Bonnet	8	202246

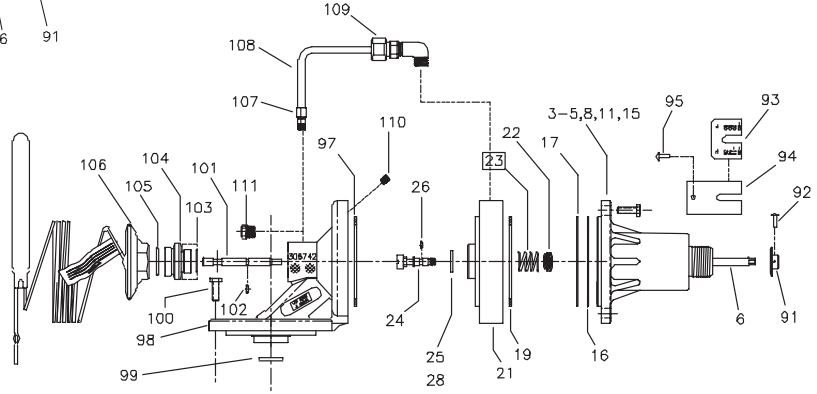
**A4A3P Parts Kits**

Item	Description	Quantity	Kit No.
1	Seal Cap		
2	Gasket, Seal Cap		
3	Nut, Stuffing Box		
4	Packing Ring		
5	Packing Washer		
6	Adjusting Stem		
8	Bonnet		
9	Nameplate		
10	Screw, Name Plate		
11	Screw, Bonnet		
12	Spring Rest, Upper		
13	Spring		
14	Spring Rest, Lower		
15	Diaphragm Follower		
1-15, 67-75	<b>Bonnet Kit (PK3)</b>		200519
67	Bonnet Gasket		
68	Diaphragm		
69	Diaphragm Actuator, Upper		
70	O-Ring		
71	Diaphragm Actuator, Lower		
72	Gasket, Adapter		
73	Adapter, 3P		
74	Gasket, 3P		
75	Diaphragm		
69-74	<b>3P Adapter Kit</b>		200759
11	<b>Bolt Pkg, Bonnet</b>	8	202246

**For A4AT**



**For A4AOT**



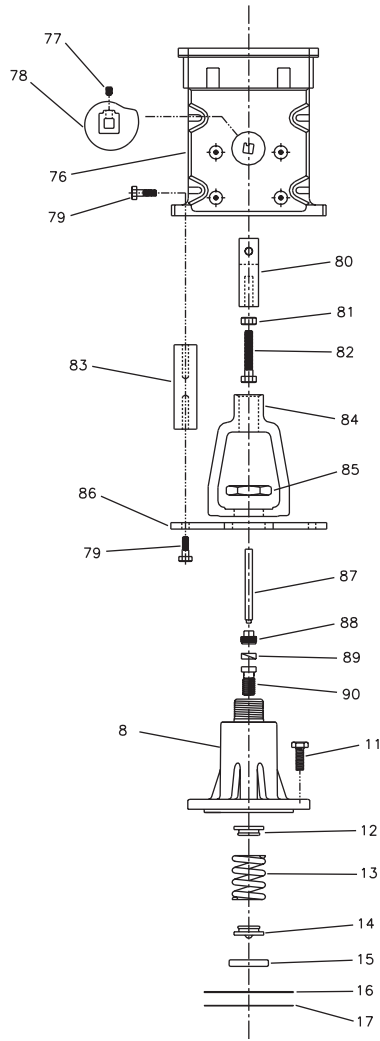
**A4AT Parts Kits**

Item	Description	Quantity	Kit No.
16	Gasket, Bonnet		
17	Diaphragm		
97	Gasket		
16-17, 97	<b>Diaphragm Kit</b>		200775
91	Indicator Ring		
92	Indicator Screw		
93	Inticator Tag		
94	Indicator Tag		
95	Collar Screw		
96	Pilot Seat		
97	Gasket		
98	Pilot Body		
99	O-Ring		
100	Cap Screw		
101	Push Pin		
102	O-Ring		
103	O-Ring		
104	Thermo-Adapter		
105	O-Ring		
106	Thermal Element		
91-106, 3-17	<b>Bonnet/Adapter, Low Temp</b>		
	20-50mm		200622
	65-100mm		200624
	<b>Bonnet/Adapter, High Temp</b>		
	20-50mm		202098
	65-100mm		202097
103-106	<b>Thermal Element</b>		202088
111	Pipe Plug		
99	<b>O-Ring Pkg, Adapter</b>	5	202485
102	<b>O-Ring Pkg</b>	5	202488

**A4AOT Parts Kits**

Item	Description	Quantity	Kit No.
16	Gasket, Bonnet		
17	Diaphragm		
97	Gasket		
16-17, 97	<b>Diaphragm Kit</b>		200775
91	Indicator Ring		
92	Indicator Screw		
93	Inticator Tag		
94	Indicator Tag		
95	Collar Screw		
96	Pilot Seat		
97	Gasket		
98	Pilot Body		
99	O-Ring		
100	Cap Screw		
101	Push Pin		
102	O-Ring		
103	O-Ring		
104	Thermo-Adapter		
105	O-Ring		
106	Thermal Element		
91-106, 3-17	<b>Bonnet/Adapter, Low Temp</b>		
			202096
	<b>High Temp</b>		202099
103-106	<b>Thermal Element</b>		202088
107	Tube Fitting		
108	Tube		
109	Tube Fitting		
107-109	?		
110	Set Screw		
111	Pipe Plug		
99	<b>O-Ring Pkg, Adapter</b>	5	202485
102	<b>O-Ring Pkg</b>	5	202488

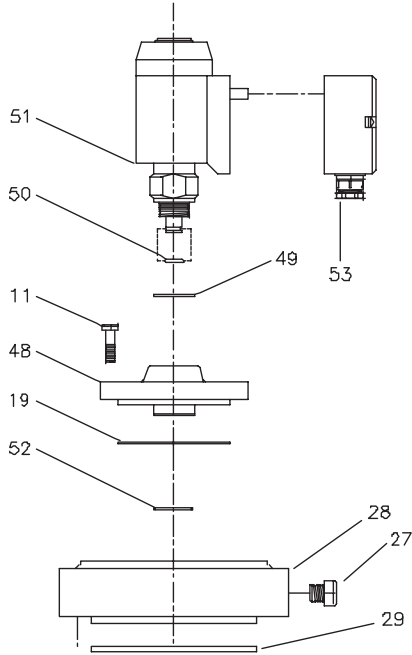
For A4AM



Parts Kits

Item	Description	Quantity	Kit No.
1-17	See A4A		
76	<b>Motor</b>		
	M9181A-1012 (Std)		204141
	M7284A-1020 (4-20mA)		204142
	M6281A-1009 (Export)		204143
	M6191 B-1006		204144
	M150-JGA-1 (Penn)		303421
77	Cam Lock Screw		
78	Motor Cam		
77-78	<b>Cam Kit</b>		
	Standard		202283
	Low Rise		202135
79	Motor Mounting Screw		
83	Mounting Post		
79, 83	<b>Mounting Post Kit</b>		202426
80	Cam Follower Arm		
81	Lock Nut		
82	Pressure Adjusting Screw		
80-82	<b>Follower Kit, Cam</b>		202118
84	Guide Post		
85	Guide Post Locknut		
84, 85	<b>Yoke Kit</b>		202323
86	<b>Mounting Plate</b>		300722
87	Actuating Stem		
88	Stuffing Box Nut		
89	Packing Ring		
90	Stem Insert		
87-90	<b>Stem Kit, Actuating</b>		202119

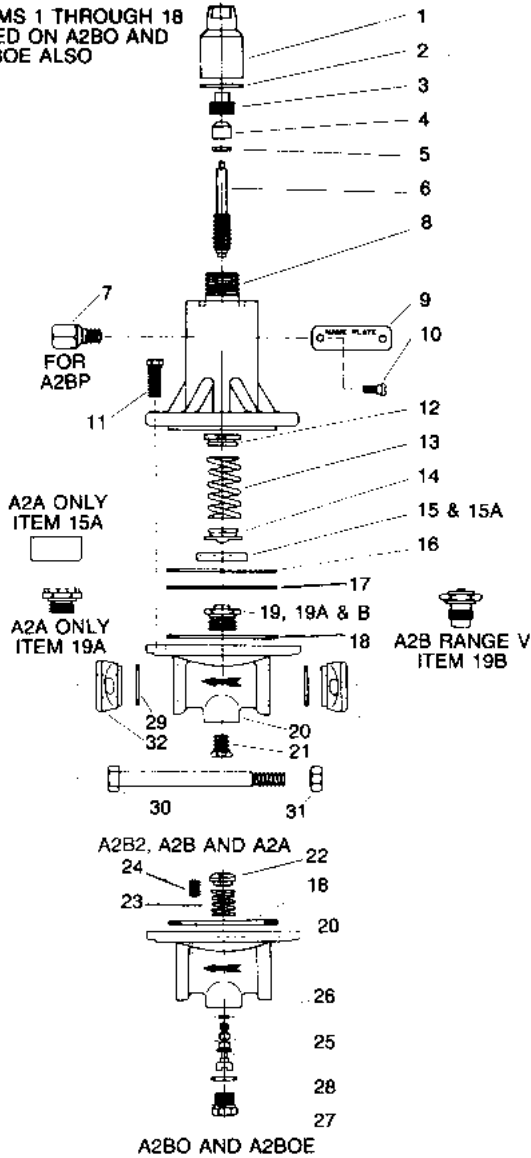
**For A4AJ**



**Parts Kits**

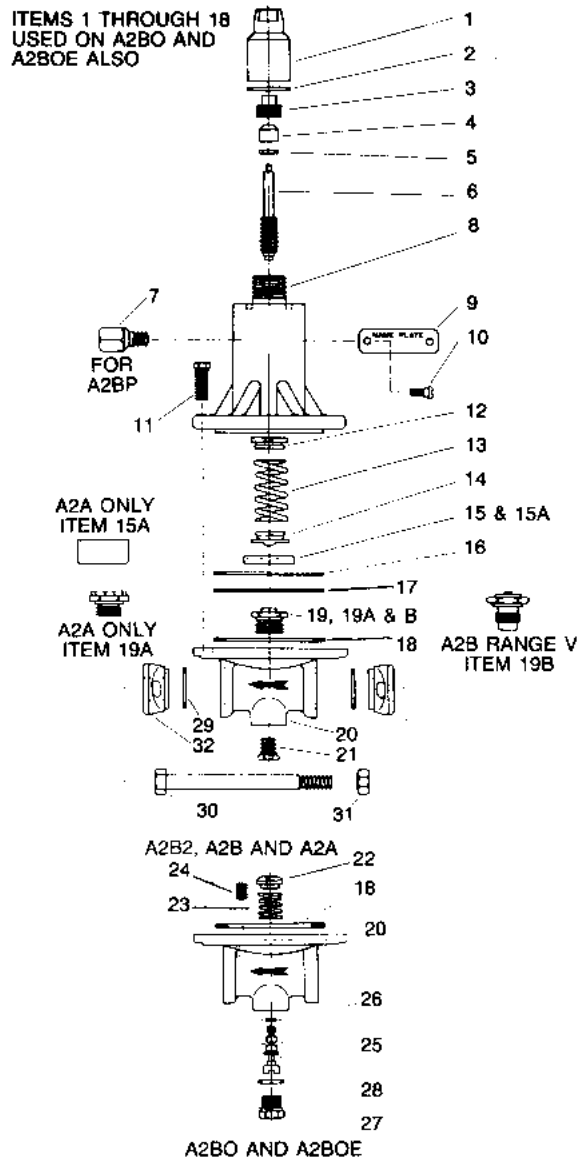
Item	Description	Quantity	Kit No.
19	Gasket, Adapter		
28	Adapter, Body		
29	Gasket, Body		
19, 28-29	<b>Adapter Kit</b>		200703
11	Bolt, Bonnet		
48	Bonnet Adapter		
49	Gasket, Bonnet		
50	O-Ring		
52	O-Ring		
11, 48-52	<b>Bonnet Kit</b>		205453
51	Pilot, Staefa		
49-51	<b>Pilot Kit (Staefa)</b>		205025
53	<b>Signal Module</b>		
	0-10VDC		308229
	4-20mA		308231

ITEMS 1 THROUGH 18  
USED ON A2BO AND  
A2BOE ALSO



**A2A Parts Kits**

Item	Description	Quantity	Kit No.
3	Nut, Packing	1	
4	Packing, Stem	1	
5	Washer, Flat	1	
6	Stem, Adjusting	1	
12	Plate, Spring, Upper	1	
14	Plate, Spring, Lower	1	
13	Spring, Range, Comp	1	
15A	Follower, Diaphragm	1	
3-6, 12-15	<b>Spring/Stem Kit</b>		
	Range A		202344
	Range D		202345
	Spring/Stem Kit	1	
1	Seal Cap	1	
2	Gasket	1	
8	Bonnet	1	
11	Screw, Hex Hd.	8	
16	Gasket	1	
1-2, 8, 11, 16	<b>Bonnet/Spring Kit</b>		
	Range D		202359
17	Diaphragm	1	
16	Gasket	1	
18	Gasket	1	
16-18	<b>Diaphragm Kit</b>		
	Ranges A & D		200771
19B	Seat, Pilot	1	
	Diaphragm Kit	1	
	<b>Seat Kit, Pilot</b>		
	Ranges A & D		202005
5	Washer, Flat	1	
3	Nut, Packing	1	
4	Packing, Stem	1	
3-5	<b>Packing Kit, Stem</b>		202100
1	Seal Cap	1	
2	Gasket	1	
1-2	<b>Cap Kit, Seal</b>		202110
29	<b>Gaskets, Flange</b>	12	202078

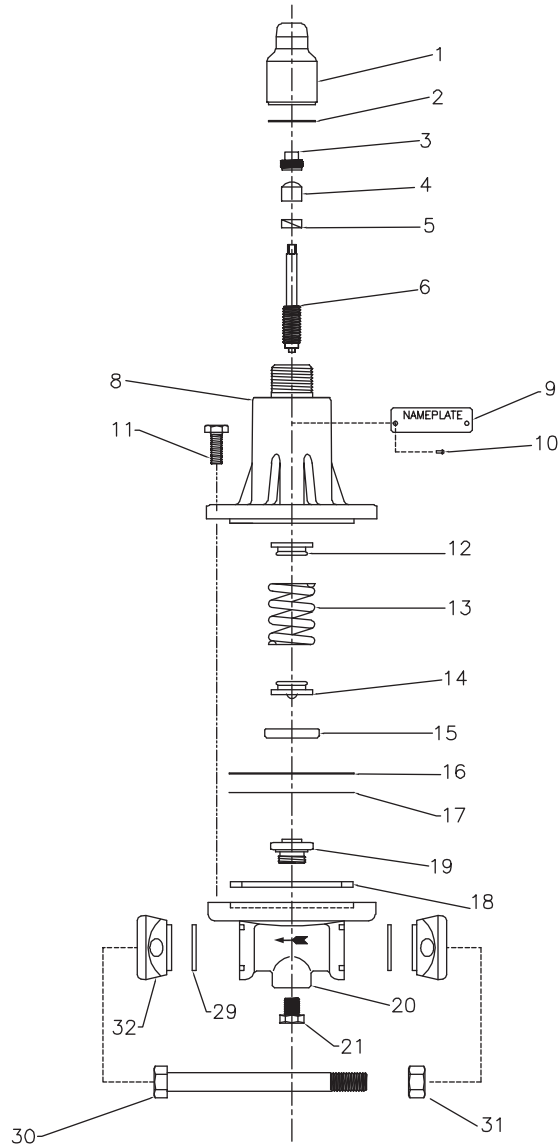


**A2B, A2B2 Parts Kits**

Item	Description	Quantity	Kit No.
3	Nut, Packing	1	
4	Packing, Stem	1	
5	Washer, Flat	1	
6	Stem, Adjusting	1	
12	Plate, Spring, Upper	1	
14	Plate, Spring, Lower	1	
13	Spring, Range, Comp	1	
15	Follower, Diaphragm	1	
3-6, 12-15	<b>Spring/Stem Kit</b>		
	Ranges A & V		202006
	Range D		202007
	Spring/Stem Kit	1	
1	Seal Cap	1	
2	Gasket	1	
8	Bonnet	1	
11	Screw, Hex Hd.	8	
16	Gasket	1	
1-2, 8, 11, 16	<b>Bonnet/Spring Kit</b>		
	Ranges A & V		202008
	Range D		202009
17	Diaphragm	1	
16	Gasket	1	
18	Gasket	1	
16-18	<b>Diaphragm Kit</b>		
	Ranges A & V		200770
	Range D		200771
19	Seat, Pilot	1	
	Diaphragm Kit		
	<b>Seat Kit, Pilot</b>		
	A2B2 Range A		202000
	A2B Range A		202001
	A2B2 Range D		202002
	A2B Range D		202003
19B	Seat, Pilot	1	
	Diaphragm Kit	1	
	<b>Seat Kit, Pilot</b>		
	A2B Range V		202004
5	Washer, Flat	1	
3	Nut, Packing	1	
4	Packing, Stem	1	
3-5	<b>Packing Kit, Stem</b>		202100
1	Seal Cap	1	
2	Gasket	1	
1-2	<b>Cap Kit, Seal</b>		202110
29	<b>Gaskets, Flange</b>	12	202078

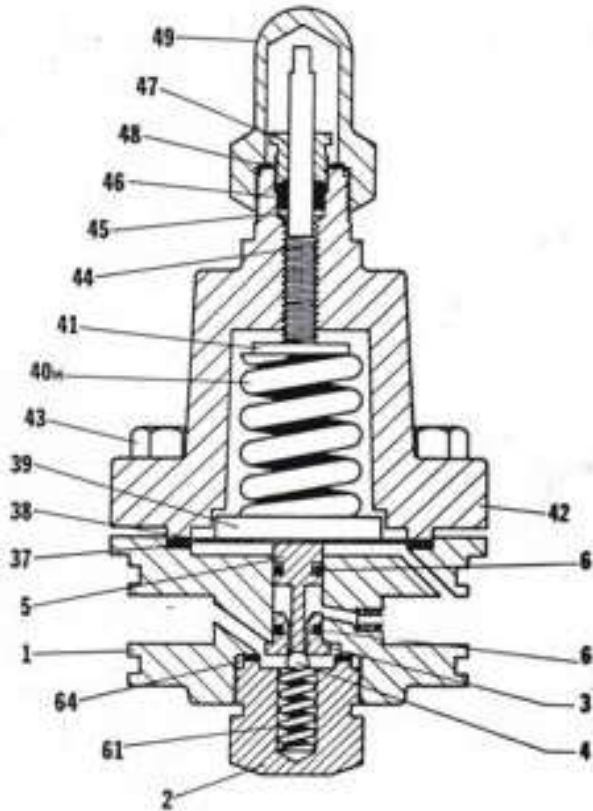
**A2BO Parts Kits**

Item	Description	Quantity	Kit No.
3	Nut, Packing	1	
4	Packing, Stem	1	
5	Washer, Flat	1	
6	Stem, Adjusting	1	
12	Plate, Spring, Upper	1	
14	Plate, Spring, Lower	1	
13	Spring, Range, Comp	1	
15	Follower, Diaphragm	1	
3-6, 12-15	<b>Spring/Stem Kit</b> Range D		202007
	Spring/Stem Kit		1
1	Seal Cap		1
2	Gasket		1
8	Bonnet		1
11	Screw, Hex Hd.		8
16	Gasket		1
1-2, 8, 11, 16	<b>Bonnet/Spring Kit</b> Range D		202009
17	Diaphragm	1	
16	Gasket	1	
18	Gasket	1	
16-18	<b>Diaphragm Kit</b> Ranges A & V		200770
	Range D		200771
27	Plug, Seal		1
28	O-Ring		1
	<b>Plug Kit, Pilot</b>		201394
25	Plug, Pilot		1
26	O-Ring (A2BO*E Only)		1
28	O-Ring		1
22	Nut, Retainer		1
18	Gasket		1
23	Spring		1
	<b>Plug Kit, Pilot</b> Ranges V & D		
	A2BO1		200776
	A2BO2		200777
	A2BO4		200778
5	Washer, Flat	1	
3	Nut, Packing	1	
4	Packing, Stem	1	
3-5	<b>Packing Kit, Stem</b>		202100
1	Seal Cap	1	
2	Gasket	1	
1-2	<b>Cap Kit, Seal</b>		202110
29	<b>Gaskets, Flange</b>	12	202078



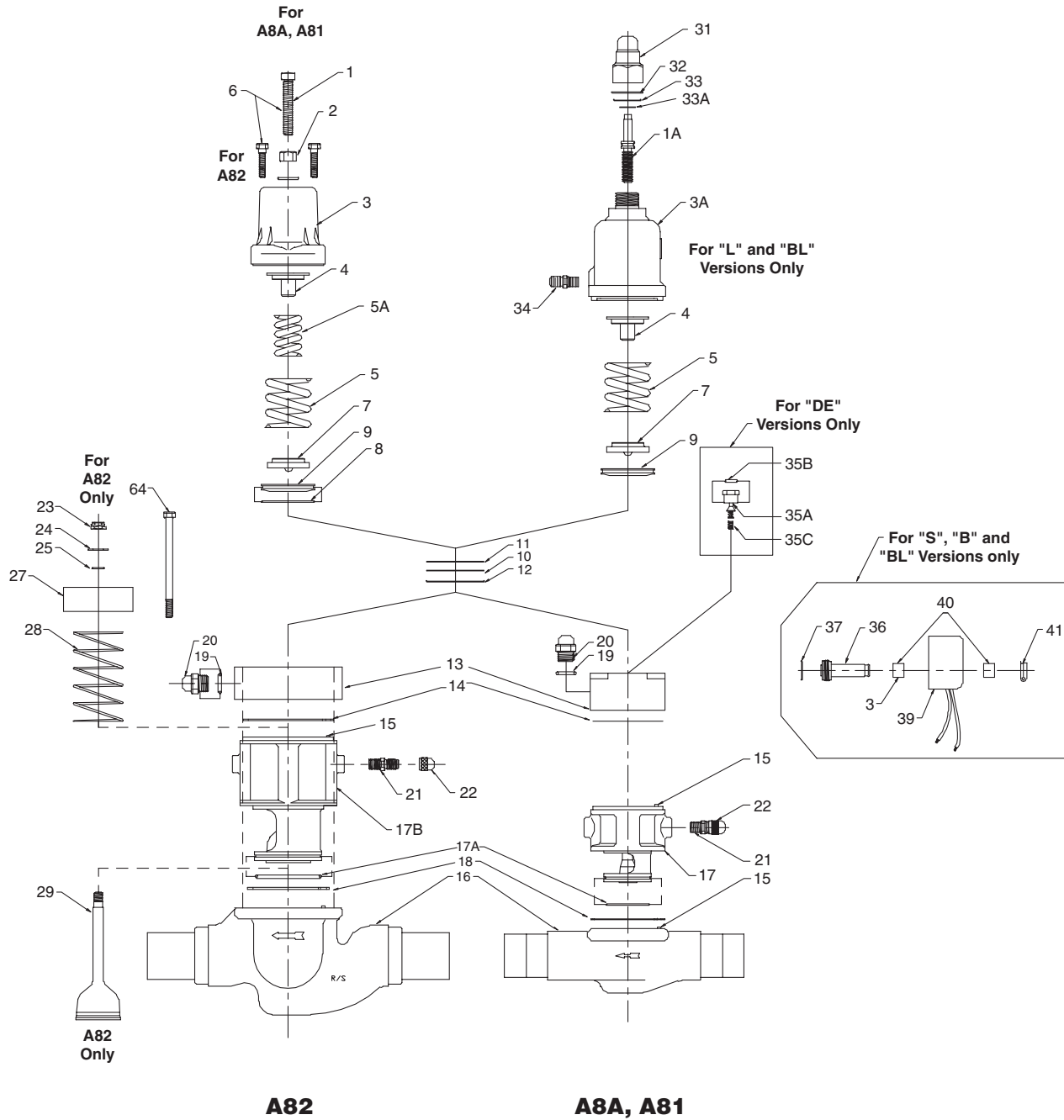
**Parts Kits**

Item	Description	Quantity	Kit No.
3	Nut, Packing	1	
4	Packing, Stem	1	
5	Washer, Flat	1	
3-5	<b>Packing Kit</b>		202100
6	Stem, Adjusting	1	
8	Bonnet	1	
9	Nameplate	1	
10	Screw, Nameplate	2	
11	Screw, Bonnet	8	
12	Spring Rest, Upper	1	
13	Spring, Range	1	
14	Spring Rest, Lower	1	
15	Diaphragm Follower	1	
3-6, 12-15	<b>Spring/Stem Kit</b>		202007
16	Gasket	1	
1-6, 8, 11-16	<b>Bonnet/Spring Kit</b>		202009
17	Diaphragm	1	
18	Gasket	1	
17-18	<b>Diaphragm Kit</b>		200770
19	Seat, Pilot	1	
17-19	<b>Seat Kit, Pilot</b>		202030
<b>Packages</b>			
29	<b>Gaskets, Flange</b>	12	202078



**Parts Kits**

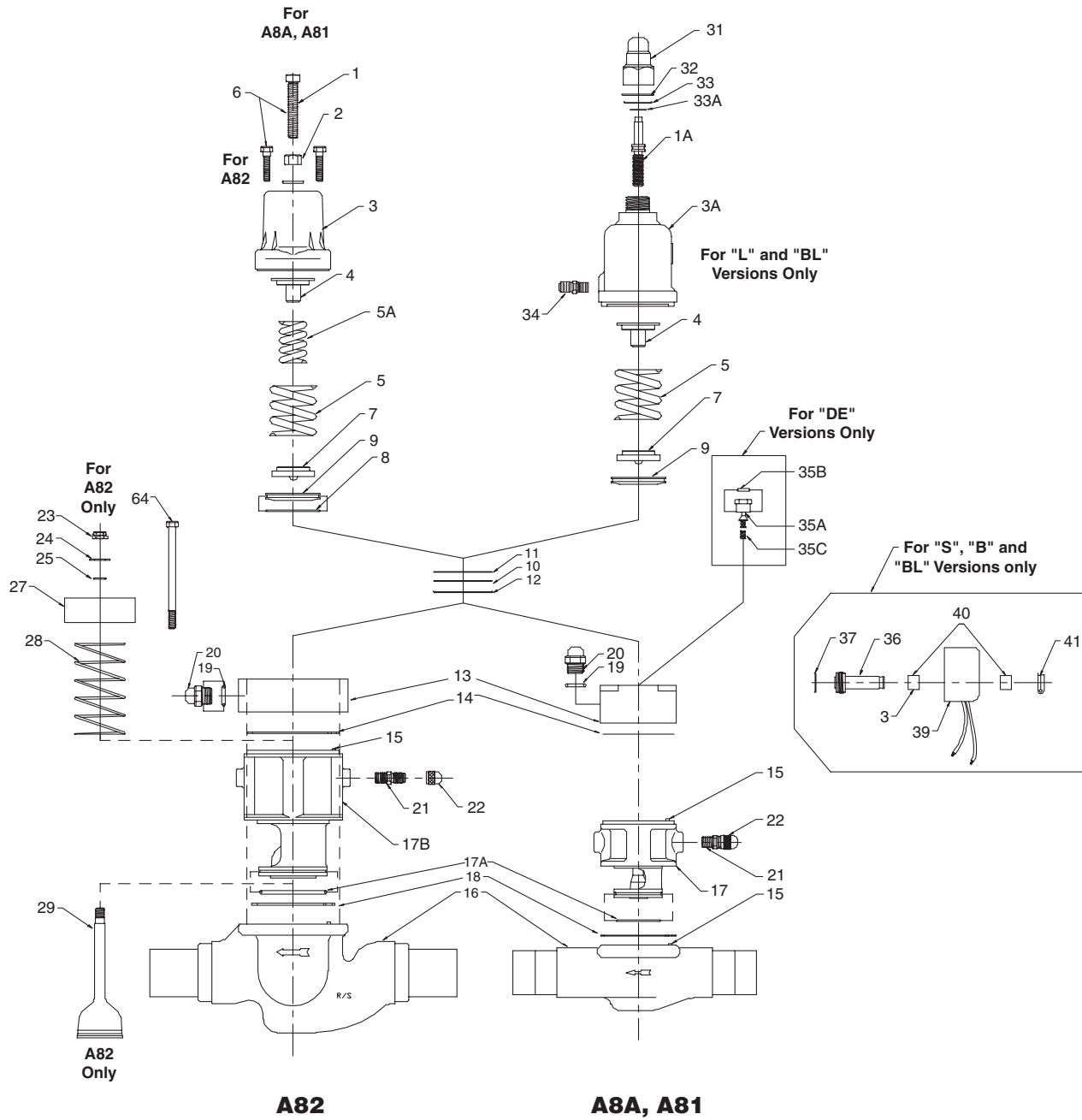
Item	Description	Quantity	Kit No.
1	Body		N/A
2	Plug		
3	Seat		
4	Ball		
5	Pusher Pin		
6	O-Ring		
37	Gasket		
38	Diaphragm		
39	Spring Plate		
40	Spring		
41	Spring Guide		
42	Bonnet		
43	Cap Screw		
44	Adjusting Stem		
45	Stem Washer		
46	Packing		
47	Packing Nut		
48	Gasket		
49	Seal Cap		
61	Spring, Ball		
64	Gasket		
<b>Repair Kit CFR 190</b>			206967
<b>Repair Kit CFR 312</b>			206968



**A8A, A81 Parts Kits**

Item	Description	Qty	Kit Number
1	<b>Adjusting Stem (All except "L")</b>	1	301888
1A	Adjusting Stem ("L" Types only)	1	
1A, 25, 26	<b>Adjusting Stem Kit ("L" Types only)</b>		201698
2	Adjusting Stem Seal Nut	1	301836
3	Bonnet (All except "L")	1	
3, 11, 8	<b>Bonnet Kit (All except "L")</b>		200910
3A	Bonnet ("L" Types only)	1	
3A, 11, 12, 32, 33, 33A	<b>Bonnet Kit ("L" Types only)</b>	1 ea	202714
4	Upper Spring Rest	1	
5	Range Spring (Outer)	1	
5A	Range Spring (Inner)	1	
7	Lower Spring Rest	1	
8	"O" Ring Diaphragm Follower (All except "L")	1	
4, 5, 5A, 7, 8, 11	<b>Spring Kit (All except "L")</b>	1 ea	202205
4, 5, 7, 11	<b>Spring Kit ("L" Types only)</b>		202702
9	Diaphragm Follower	1	
8, 9, 11	<b>Diaphragm Follower Kit</b>		200911
10	Diaphragm	1	
10, 11, 12	<b>Diaphragm Kit</b>		200873
13	Adapter Assembly	1	
20	Seal Cap	1	
11-14, 19-20	<b>Adapter Assembly A8A, A81</b>		202721
11-14, 19-20, 36, 37	<b>Adapter Assembly A8AS, A81S</b>		202722
11-14, 19-20, 36, 37	<b>Adapter Assembly A8AB, A81B</b>		202723
11-14, 19-20, 35	<b>Adapter Assembly A8AOE, A81OE</b>		202720
11-14, 19-20, 35-37	<b>Adapter Assembly A8AOES, A81OES</b>		202719
15	Pin, Locating	2	N/A
16	Body Assembly	1	N/A
17	Cartridge Assembly	1	
14, 17, 17A, 18	Cartridge Assembly (Red. Cap. 5/8")		202712
	Cartridge Assembly (Full Cap. 5/8")		202711
	Cartridge Assembly (7/8")		202710
	Cartridge Assembly (1-1/8"), A81 only		202709
	Cartridge Assembly (1-3/8"), A81 only		202708
21, 22	Access Fitting and Cap		N/A
31	Seal Cap (Only "L")	1	
31, 32	<b>Seal Cap Kit (Only "L")</b>		202713
33	Retaining Ring, "L" Bonnet	1	Part of 201698
33A	O/Ring, Adjusting Stem	1	Part of 210698
34	1/4" SAE Flare Half-Union	1	Part of 202714
35A	Seat, Pilot ("OE" Only)	1	
35B	O-Ring, Pilot Seat ("OE" Only)	1	
35C	Spring, Pilot Seat ("OE" Only)	1	
10-12, 35A-C	<b>Seat Kit, Pilot ("OE" Only)</b>		202715
36	Solenoid Operator Assembly	1	
36, 37, 38	<b>Solenoid Operator Repair Kit</b>		202700
39	Coil	1	
40	Sleeve, Coil Insert	2	
41	Clip, Coil Cover	1	
39, 40, 41	<b>Coil and Housing Kit</b>		Consult Factory

Item	Description	Qty	Kit Number
<b>Packages</b>			
6	<b>Bolt Package</b>		
	All except "OE" and "L"	4	202717
	"OE" Types only	4	202716
	"L" Types only	4	202718
8, 11-12, 14, 17A, 18, 19 37	<b>Gasket/O-Ring Kit, All Types except "L"</b>	8	202701
11-12, 14, 17A, 18, 19, 32, 33, 33A, 37	<b>GaskeVO-Ring Kit "L" Type</b>	10	203714



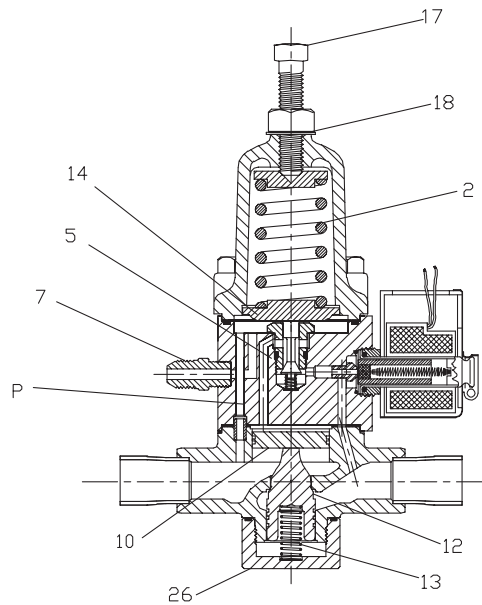
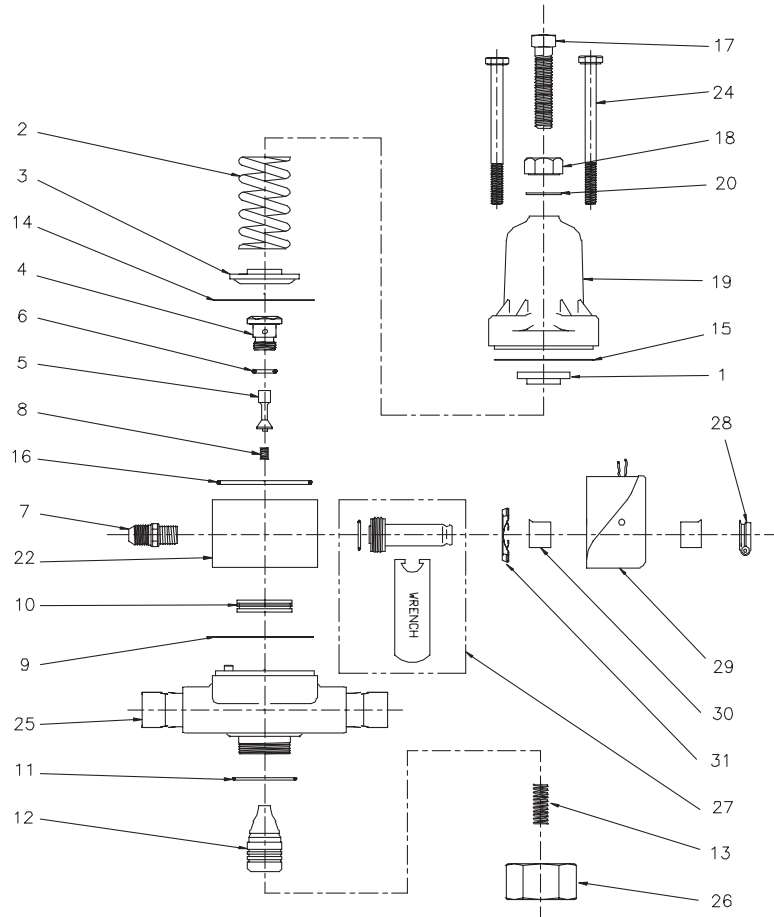
**A82 Parts Kits**

Item	Description	Qty	Kit Number
1	<b>Adjusting Stem (All except "L")</b>	1	301888
1A	Adjusting Stem ("L" Types only)	1	
1A, 25, 26	<b>Adjusting Stem Kit ("L" Types only)</b>		201698
2	Adjusting Stem Seal Nut	1	301836
3	Bonnet (All except "L")	1	
3, 11, 8	<b>Bonnet Kit (All except "L")</b>		200910
3A	Bonnet ("L" Types only)	1	
3A, 11, 12, 32, 33, 33A	<b>Bonnet Kit ("L" Types only)</b>	1 ea.	202714
4	Upper Spring Rest	1	
5	Range Spring (Outer)	1	
5A	Range Spring (Inner)	1	
7	Lower Spring Rest	1	
8	"O" Ring Diaphragm Follower (All except "L")	1	
4, 5, 5A, 7, 8, 11	<b>Spring Kit (All except "L")</b>	1 ea.	202205
4, 5, 7, 11	<b>Spring Kit ("L" Types only)</b>		202702
9	Diaphragm Follower	1	
8, 9, 11	<b>Diaphragm Follower Kit</b>		200911
10	Diaphragm	1	
10, 11, 12	<b>Diaphragm Kit</b>		200873
13	Adapter Assembly	1	
20	Seal Cap	1	
11-14, 19-20	<b>Adapter Assembly A82</b>		203803
11-14, 19-20, 36, 37	<b>Adapter Assembly A82S</b>		203805
11-14, 19-20, 36, 37	<b>Adapter Assembly A82B</b>		203804
11-14, 19-20, 35	<b>Adapter Assembly A82OE</b>		203806
11-14, 19-20, 35-37	<b>Adapter Assembly A82OES</b>		203807
15	Pin, Locating	2	N/A
16	Body Assembly	1	N/A
17B	Capacity Cartridge Housing	1	
14, 17A, 17B, 18, 26, 30	Cartridge Assembly (1-5/8")		203811
	Cartridge Assembly (2-1/8")		203812
	Cartridge Assembly (2-5/8")		203813
21, 22	Access Fitting and Cap		N/A
23	Self-Lock Nut	1	
24	Washer	1	
25	O-Ring	1	
26	Items 23-25	1 ea.	
14, 17A, 18, 26	<b>Service Kit, Piston/Plug</b>		203823
27	Piston	1	
28	Closing Spring	1	
14, 17A, 18, 26, 27, 28	<b>Piston Kit</b>		203824
29	Modulating Plug	1	
30	Items 27-29	1 ea.	
31	Seal Cap (Only "L")	1	
31, 32	<b>Seal Cap Kit (Only "L")</b>		202713
33	Retaining Ring, "L" Bonnet	1	Part of 201698
33A	O/Ring, Adjusting Stem	1	Part of 210698
34	1/4" SAE Flare Half-Union	1	Part of 202714
35A	Seat, Pilot ("OE" Only)	1	
35B	O-Ring, Pilot Seat ("OE" Only)	1	
35C	Spring, Pilot Seat ("OE" Only)	1	
10-12, 35A-C	<b>Seat Kit, Pilot ("OE" Only)</b>		202715

Item	Description	Qty	Kit Number
36	Solenoid Operator Assembly	1	
36, 37, 38	<b>Solenoid Operator Repair Kit</b>		202700
39	Coil	1	
40	Sleeve, Coil Insert	2	
41	Clip, Coil Cover	1	
39, 40, 41	<b>Coil and Housing Kit</b>		Consult Factory

**Packages**

6A	<b>Bolt Package</b>		
	All except "OE" and "L"	4	203820
	"OE" Types only	4	203821
	"L" Types only	4	203822
8, 11-12, 14, 17A, 18, 19, 37	<b>Gasket/O-Ring Kit, All Types except "L"</b>	8	203818
11-12, 14, 17A, 18, 19, 32, 33, 33A, 37	<b>Gasket/O-Ring Kit, "L" Type</b>	10	203819

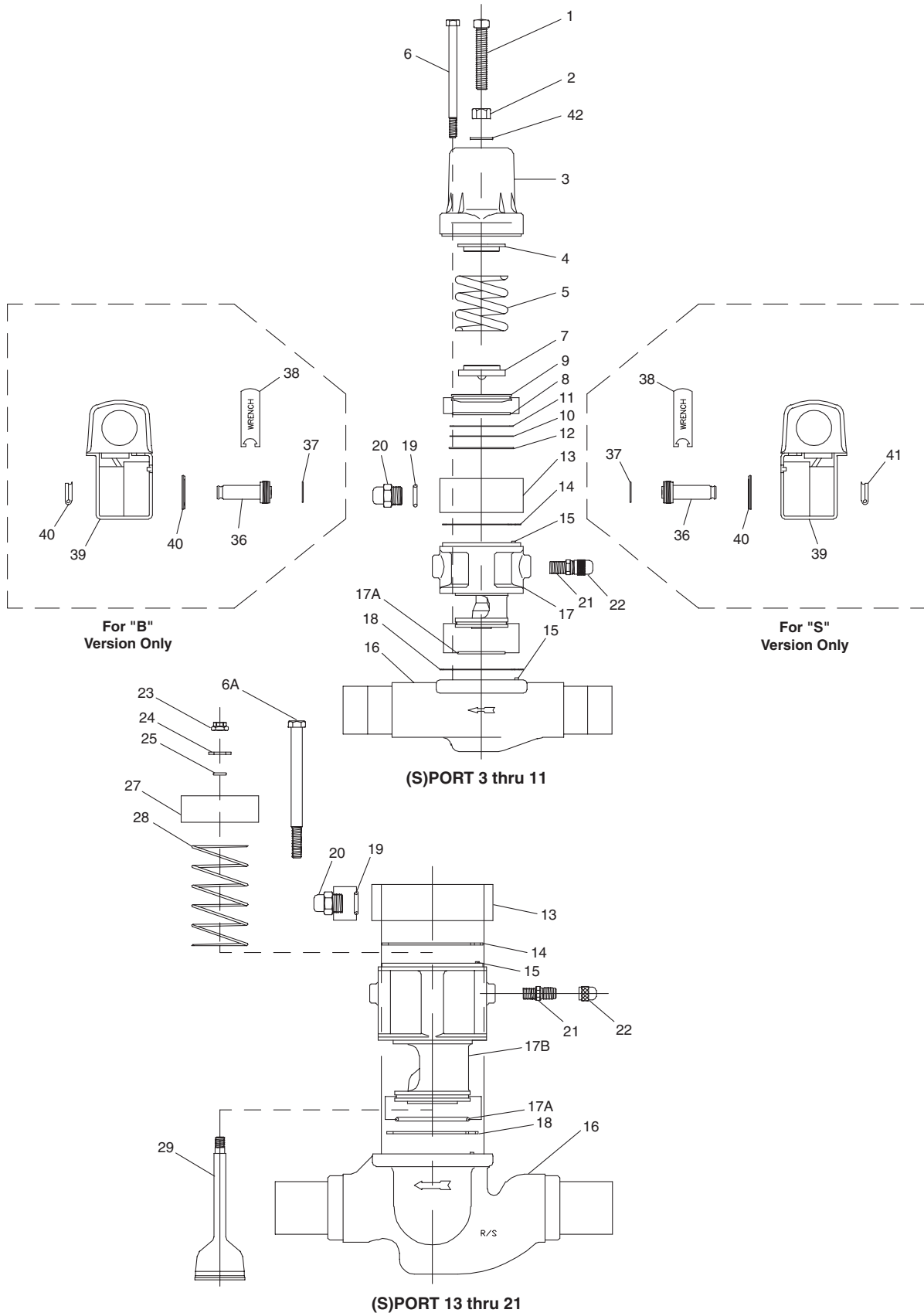


**A9, A9S, A91E, A9SE Parts Kits**

Item No.	Description	Qty	Kit Number
1, 2, 3,15	Spring Kit, Range A		202200
	Spring Kit, Range B		202201
3,15	Follower Kit, Diaphragm	1	200896
4-6, 8,14,15	Seat Kit Pilot, Range A	1	200859
9,11,15,16	Gasket Kit	1	202420
9,10	Piston Kit	1	200897
11,12	Plug Kit, 3/8"		200895
	5/8"		200894
	7/8"		200892
	1-1/8"		200893
14(2),15,16	Diaphragm Kit Range A	1	200860
14(3),15,16	Diaphragm Kit Range B	1	200862
19,15	Bonnet Kit	1	200907
9,16, 22	Adapter Kit A9E		200889
	Adapter Kit A9		200890
	AdapterKitA9SE		202401
	Adapter Kit A9S		202402
11, 26	Cover Kit		200891
27	Repair Kit, Solenoid		202700
39, 40, 41	Coil and Housing Kit		Consult Factory

**Packages**

24	Bolt Pkg (A9, A9E)	4	202254
24	Bolt Pkg (A9S, A9SE)	4	202255

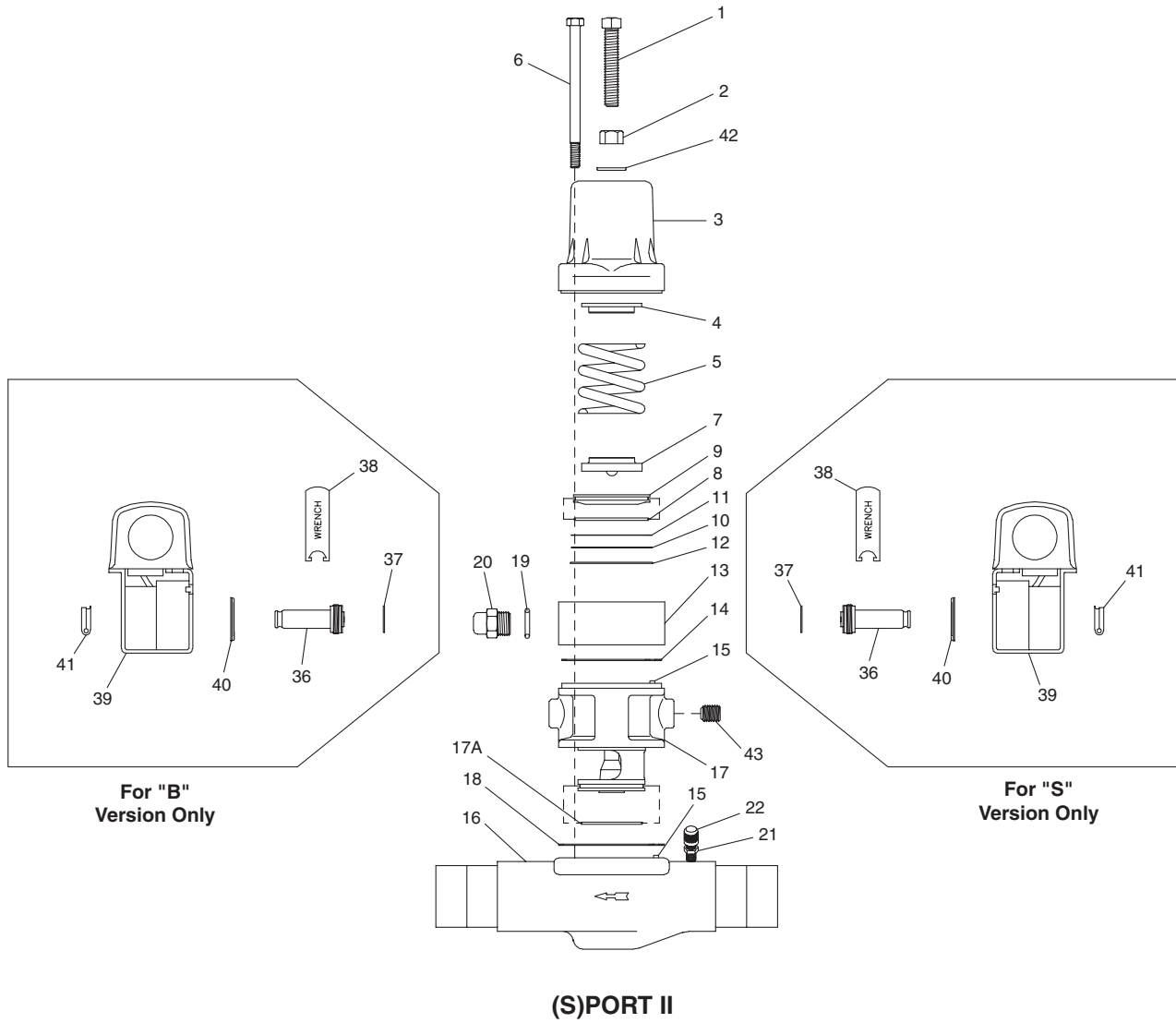


**Size 3 to 11 (S)PORT Parts Kits**

ITEM	DESCRIPTION	QTY	KIT NUMBER
1	Adjusting Stem (All except "L")	1	301888
2	Adjusting Stem Seal Nut	1	301836
3, 11, 8	Bonnet Kit (All except "L")		200910
4	Upper Spring Rest	1	
5	Range Spring	1	
7	Lower Spring Rest	1	
8	O-Ring Diaphragm Follower (All except "L")	1	
4, 5, 5A, 7, 8, 11	Spring Kit (All except "L")		202205
8, 11, 12, 14, 17A, 18, 19, 37	Gasket/O-Ring Kit, All Types except "L"	8	202701
9	Diaphragm Follower	1	
8, 9, 11	Diaphragm Follower Kit		200911
10	Diaphragm	1	
10, 11, 12	Diaphragm Kit		200873
13	Adapter Assembly	1	
20	Seal Cap	1	
11, 12, 13, 14, 19, 20	Adapter Assembly PORT	1 ea	202721
11, 12, 13, 14, 19, 20, 36, 37	Adapter Assembly (S)PORT	1 ea	202722
11, 12, 13, 14, 19, 20, 36, 37	Adapter Assembly (S)PORT B	1 ea	204363
15	Pin, Locating	2	N/A
16	Body Assembly	1	N/A
17	Cartridge Assembly	1	
14, 17, 17A, 18	Cartridge Assembly (Red. 5/8") 03		204452
	Cartridge Assembly (Full 5/8") 05		204453
	Cartridge Assembly (7/8") 07		204454
	Cartridge Assembly (1-1/8") 09		204455
	Cartridge Assembly (1-3/8") 11		204456
21, 22	Access Fitting and Cap		N/A
36	Solenoid Operator Assembly	1	
36, 37, 38	<b>Solenoid Operator Repair Kit</b>		202700
39	Coil	1	
40	Sleeve, Coil Insert	2	
41	Clip, Coil Cover	1	
39, 40, 41	<b>Coil and Housing Kit</b>	1	Consult Factory
<b>Packages</b>			
6	Bolt Package	4	202717

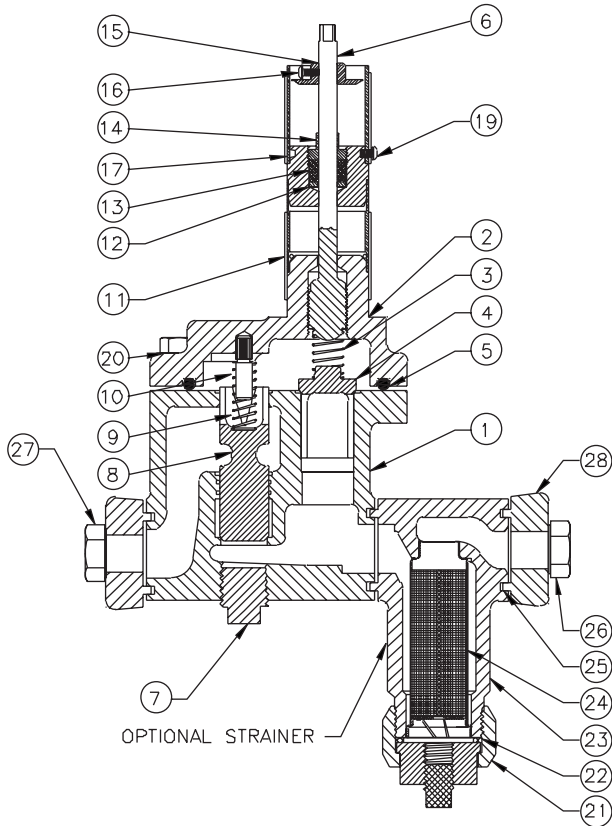
**Size 13 to 21 (S)PORT Parts Kits**

ITEM	DESCRIPTION	QTY	KIT NUMBER
1	Adjusting Stem (All except "L")	1	301888
2	Adjusting Stem Seal Nut	1	301836
3, 11, 8	Bonnet Kit (All except "L")		200910
4	Upper Spring Rest	1	
5	Range Spring	1	
7	Lower Spring Rest	1	
8	O-Ring Diaphragm Follower (All except "L")	1	
4, 5, 5A, 7, 8, 11	Spring Kit (All except "L")		202205
8, 11, 12, 14, 17A, 18, 19, 37	Gasket/O-Ring Kit, All Types except "L"	8	203818
9	Diaphragm Follower	1	
8, 9, 11	<b>Diaphragm Follower Kit</b>		200911
10	Diaphragm	1	
10, 11, 12	<b>Diaphragm Kit</b>		200873
13	Adapter Assembly	1	
20	Seal Cap	1	
11, 12, 13, 14, 19, 20	<b>Adapter Assembly PORT</b>	1 ea	203803
11, 12, 13, 14, 19, 20, 36, 37	<b>Adapter Assembly (S)PORT</b>	1 ea	203804
11, 12, 13, 14, 19, 20, 36, 37	<b>Adapter Assembly (S)PORT B</b>	1 ea	204592
15	Pin, Locating	2	N/A
16	Body Assembly	1	N/A
17B	Capacity Cartridge Housing, A82	1	
14, 17A, 17B	Complete Capacity Cartridge (1-5/8") 13		204597
18, 26, 30	Complete Capacity Cartridge (2-1/8") 17		204598
	Complete Capacity Cartridge (2-5/8") 21		204599
21, 22	Access Fitting and Cap		N/A
23	Self-Lock Nut	1	
24	Washer	1	
25	O-Ring	1	
26	Items 23-25		
14, 17A, 18, 26	<b>Service Kit, Plston/Plug</b>		203823
27	Piston	1	
28	Closing Spring	1	
14, 17A, 18 26-28	<b>Piston Kit</b>		203824
29	Modulating Plug	1	
30	Items 27-29		
36	Solenoid Operator Assembly	1	
36, 37, 38	<b>Solenoid Operator Repair Kit</b>		202700
39	Coil	1	
40	Sleeve, Coil Insert	2	
41	Clip, Coil Cover	1	
39, 40, 41	<b>Coil and Housing Kit</b>	1	Consult Factory
<b>Packages</b>			
6	Bolt Package	4	203820
	Bolt Package, (S)PORT B	4	203821



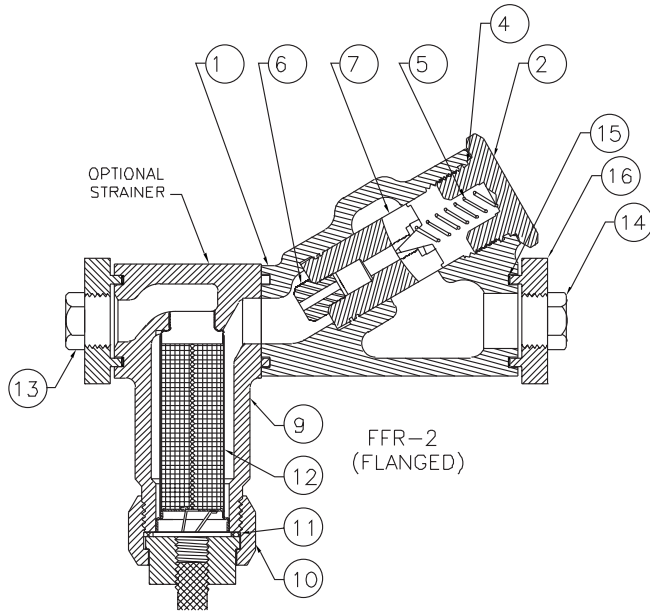
**(S)PORT II Parts Kits**

ITEM NO	DESCRIPTION	Qty.	Kit Number
1	Adjusting Stem	1	301888
2	Adjusting Stem Seal Nut	1	301836
3	Bonnet	1	
3, 11	<b>Bonnet Kit</b>		200910
4	Upper Spring Rest	1	
5	Range Spring	1	
7	Lower Spring Rest	1	
8	O-Ring, Diaphragm Follower	1	
4, 5, 7, 8, 11	<b>Spring Kit</b>		204368
8, 11, 12, 14, 17A, 18	<b>Gasket/ O-Ring Kit</b>	6	202701
9	Diaphragm Follower	1	
8, 9, 11	<b>Diaphragm Follower Kit</b>		200911
10	Diaphragm	1	
10, 11, 12	<b>Diaphragm Kit</b>		200873
13	Adapter Assembly	1	
20	Seal Cap, All except (S)PORT II-B	1	
11, 12, 13, 14, 19, 20	<b>Adapter Assembly - PORT</b>	1	202721
11, 12, 13, 14, 19, 20	<b>Adapter Assembly - (S)PORT</b>	1	202722
11, 12, 13, 14	<b>Adapter Assembly - (S)PORT-B</b>	1	204363
15	Pin, Locating	1	N/A
16	Body Assembly	1	N/A
14, 17, 17A, 18, 43	<b>Cartridge Kit</b>		
	3/8" (03)	1	204927
	5/8" (05)	1	204928
	7/8" (07)	1	240929
	1-1/8" (09)	1	204930
	1-3/8" (11)	1	204931
39, 40, 41	Coil and Housing Kit		Consult Factory
36	Solenoid Operator Assembly	1	
36, 37, 38	<b>Solenoid Operator Repair Kit</b>		202700
42	Washer, Seal	1	306982
43	Plug, Pipe	1	
<b>Packages</b>			
6	Bolt Package	4	202717



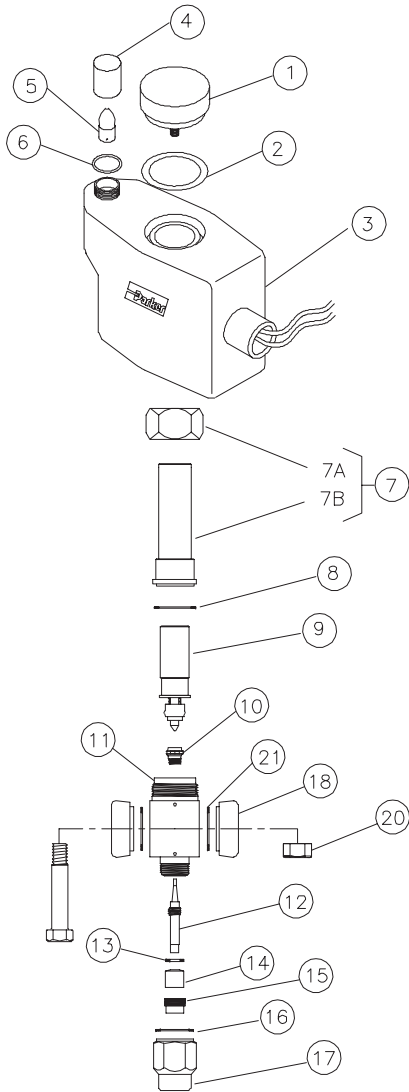
**AFR Parts Kits**

Item	Description	Qty.	Kit Number
1	Valve Body		N/A
2	Cover & Adapter Assembly		
3	Metering Plug Spring		
4	Metering Plug		
5	Gasket		
3,4,5	<b>Plug Kit, Metering</b>		201181
6	Adjusting Stem Assembly		
7	Pipe Plug		
8	Regulating Plug		
5, 8	<b>Plug Kit, Regulating</b>		201183
9	Regulating Plug Spring		
10	Spring Guide Pin		
11	Name Tag		
12	Stuffing Box Washer		
13	Packing Ring		
2,5,9,10,12,13	<b>Cover Kit</b>		201177
6,12,13	<b>Stem Kit, Adjusting</b>		201179
14	Stuffing Box Nut		
15	Indicating Disc		
16	Set Screw		
17	Tube (Upper)		
18	Indicator Scale		
19	Set Screw (Upper Tube)		
20	Cap Screw		
21	Strainer Cap		
22	Gasket		303070
23	Strainer Body		
24	Screen Assembly		
21,22,24	<b>Screen Kit</b>		200136
25	Gasket, Flange	12	202078
26	Bolt		
27	Nut		
28	Flange, FPT		
29	Flange, Socket Weld		
30	Flange, Weld Neck		



**FFR Parts Kits**

Item	Description	Qty	Kit Number
4	O-Ring	1	
5	Spring, Comp	1	
6	Plug, Orifice	1	
4, 6	<b>Plug Kit, Orifice</b>		
	Orifice 4		201186
	Orifice 6		201187
	Orifice 10		201188
	Orifice 15		201189
	Orifice 20		201190
	Orifice 30		201191
	Orifice 40		201192
	Orifice 60		201193
7	Plug, Metering	1	
4,5,7	<b>Plug Kit, Metering</b>		201185
15	Gasket, Flange	12	202078

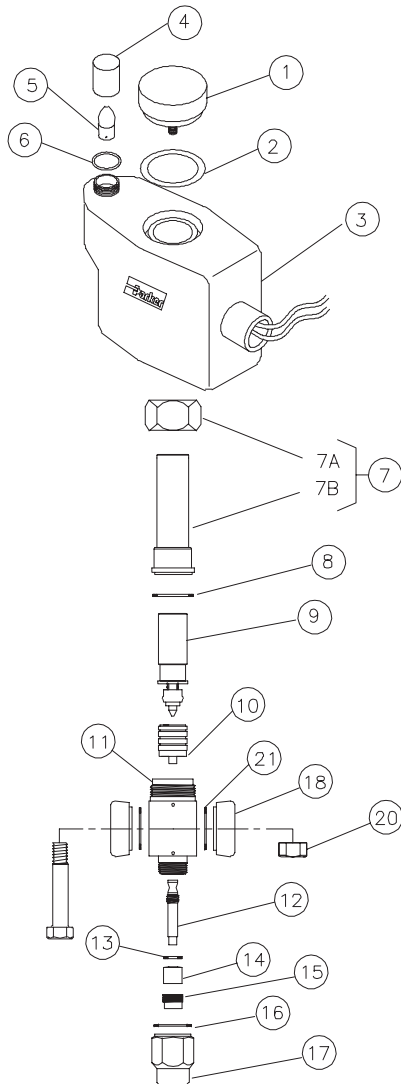


**S6N Parts Kits**

Item	Description	Qty.	Kit Number
1	Knob	1	
2	Gasket	1	
1, 2	<b>Knob Kit</b>		
3	Encapsulated Coil	1	C.F.
4	Lens	1	
5	Bulb	1	
6	Gasket	1	
7	Tube Assembly, Solenoid	1	
8	Gasket	1	
7-8	<b>Tube Kit, Solenoid</b>		201036
9	Plunger/Needle Assembly	1	
10	Seat Assembly	1	
8-9	<b>Plunger Kit, Needle**</b>		201019
8-10	<b>Plunger/Seat Kit*</b>		201630
11	Body, S6N (includes Name Plate)	1	N/A
12	Stem, Manual Open	1	
13	Washer, Flat	1	
14	Packing, Stem	1	
15	Nut, Packing	1	
12-15	<b>Stem Kit, Opening</b>		201631
13-15	<b>Packing Kit, Stem</b>		202100
16	Gasket	1	
17	Seal Cap	1	
16-17	<b>Cap Kit, Seal</b>		201145
18	Flange Kit (Specify Flange Style & Connection Size) Includes 2 Flanges Only. Sold Separately	1	FK-13
19	Bolt	2	
20	Nut	2	
19-20	<b>Bolt Kit (S6N Without Strainer)</b>		201579
19-20	<b>Bolt Kit (S6N With Strainer)</b>		201576
21	Gasket Package	12	202078
8,16,21	<b>Gasket Kit (includes 2 Flange Gaskets)</b>		201632

\*\* Not for D.C. Consult factory for correct parts.

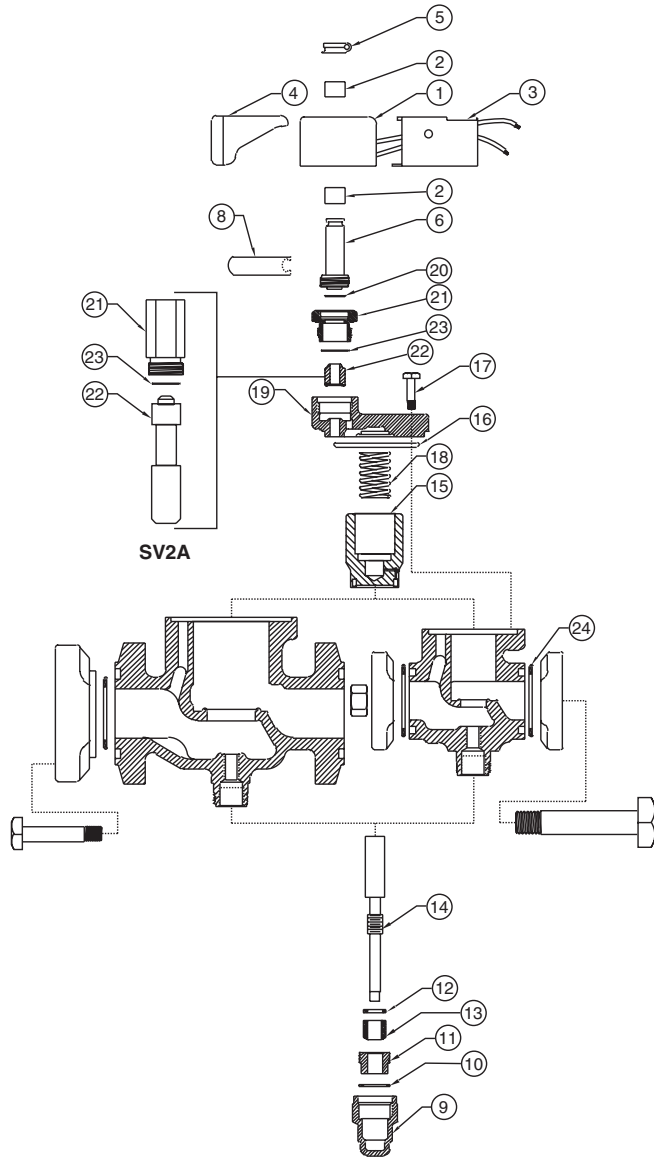
N/A = Not available separately  
C.F. = Consult factory



**S8F Parts Kits**

Item	Description	Qty.	Kit Number
1	Knob	1	
2	Gasket	1	
1, 2	<b>Knob Kit</b>		
3	Encapsulated Coil	1	C.F.
4	Lens	1	
5	Bulb	1	
6	Gasket	1	
7	Tube Assembly	1	
8	Gasket	1	
7-8	<b>Tube Kit</b>		201036
9	Plunger Needle Assembly**	1	
10	Piston Plug Assembly	1	
8-10	<b>Plunger Piston Kit**</b>		202072
11	Body, S8F	1	N/A
12	Stem, Manual Opening	1	
13	Washer	1	
14	Packing, Stem	1	
15	Nut, Packing	1	
12-15	<b>Stem Kit, Opening</b>		202238
16	O-Ring	1	
17	Seal Cap	1	
16-17	<b>Cap Kit</b>		202713
18	<b>Flange Kit</b> (Specify Flange Style & Connection Size) Includes 2 Flanges Only. Sold Separately	1	FK-13
19	Bolt	2	
20	Nut	2	
21	Gasket	2 if w/o Strainer, 3 if With Strainer	
19-21	<b>Bolt Kit</b> (S8F Without Strainer)		201290
19-21	<b>Bolt Kit</b> (S8F With Strainer)		201287
8, 16, 21	<b>Gasket Kit</b> (Includes 2 Flange Gaskets)		201632
7-17, 21	<b>Complete Valve Body Assembly</b>		100997

N/A = Not available separately  
C.F. = Consult factory



**13mm (1/2") SV2 Parts Kits**

Item	Description	Qty.	Kit Number
1	Coil	1	
2	Sleeve, Coil Insert	2	
3	Frame, Coil	1	
4	Cover, Coil	1	
5	Clip, Coil Cover		
1 to 5	<b>Coil &amp; Hsg Kit</b>		Consult Factory
6	Solenoid Oper. Assembly	1	
7	O-Ring (Not Shown)	1	
8	Wrench		
6 - 8	<b>Solenoid Oper. Repair Kit</b>		202700
9	Seal Cap	1	
10	O-Ring, Seal Cap	1	
9 - 10	<b>Seal Cap Kit (Discard Gasket)</b>		202713
11	Packing Nut	1	
12	Washer, Flat	1	
13	Packing, Stem	1	
11 - 13	<b>Stem Packing Kit</b>		202100
14	Manual Opening Stem	1	
11 - 14	<b>Manual Opening Stem Kit</b>		202745
15	Main Valve Plug Assembly	1	
16	Cover Gasket	1	
15,16	<b>Main Valve Plug Kit</b>		202748
17	Bolt Package	4	202761
18	Closing Spring	1	
16,18	<b>Closing Spring Kit</b>		202752
19	Top Cover	1	
20	O-Ring	1	
16,19,20	<b>Top Cover Kit</b>		202755
21	Piston Retainer	1	
22	Piston Plug Assembly	1	
23	O-Ring	1	
20 - 23	<b>* Piston Plug Kit SV2</b> <b>* Piston Plug Kit SV2A</b>		Not Required 202765
24	Flange Gasket Package	12	202078
7,10,16, 20,23,24	<b>SV2, SV2A Solenoid Gasket Kit</b>		202758
	<b>Repair Kit, SV2</b>		202767
	<b>Repair Kit, SV2A</b>		202771

\* To increase coil housing assembly clearance from valve body for SV2 to allow for insulation, order Piston Plug Kig for SV2A.

**20mm (3/4") SV2 Parts Kits**

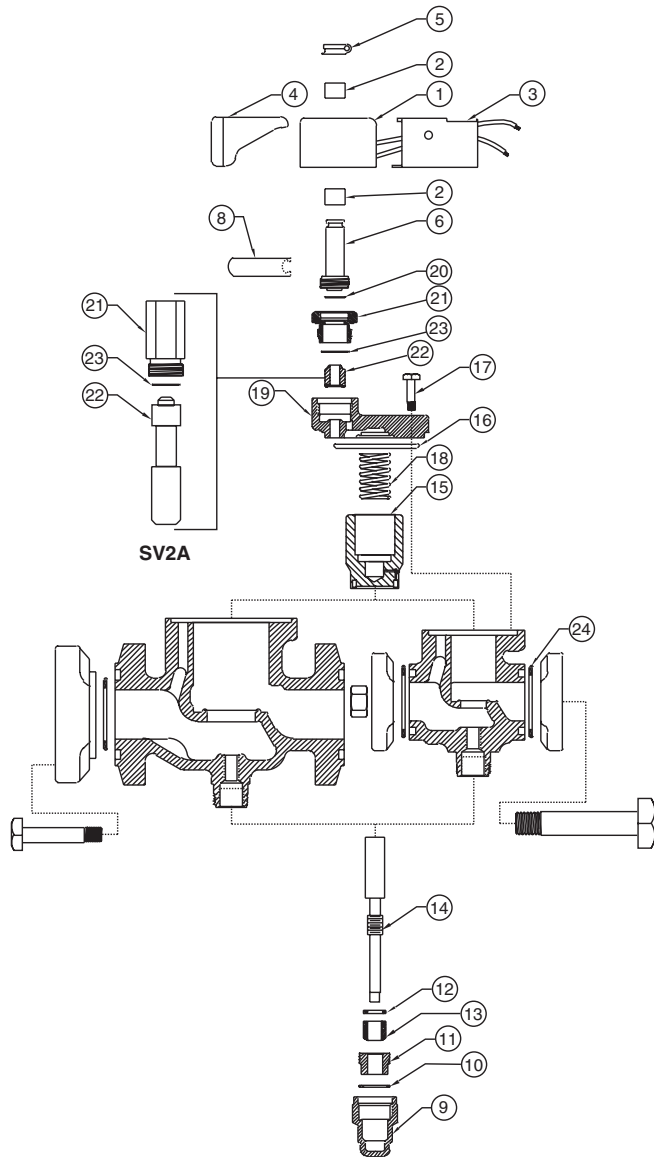
Item	Description	Qty.	Kit Number
1	Coil	1	
2	Sleeve, Coil Insert	2	
3	Frame, Coil	1	
4	Cover, Coil	1	
5	Clip, Coil Cover		
1 to 5	<b>Coil &amp; Hsg Kit</b>		Consult Factory
6	Solenoid Oper. Assembly	1	
7	O-Ring (Not Shown)	1	
8	Wrench		
6 - 8	<b>Solenoid Oper. Repair Kit</b>		202700
9	Seal Cap	1	
10	O-Ring, Seal Cap	1	
9 - 10	<b>Seal Cap Kit (Discard Gasket)</b>		202713
11	Packing Nut	1	
12	Washer, Flat	1	
13	Packing, Stem	1	
11 - 13	<b>Stem Packing Kit</b>		202100
14	Manual Opening Stem	1	
11 - 14	<b>Manual Opening Stem Kit</b>		202746
15	Main Valve Plug Assembly	1	
16	Cover Gasket	1	
15,16	<b>Main Valve Plug Kit</b>		202749
17	Bolt Package	4	202762
18	Closing Spring	1	
16,18	<b>Closing Spring Kit</b>		202753
19	Top Cover	1	
20	O-Ring	1	
16,19,20	<b>Top Cover Kit</b>		202756
21	Piston Retainer	1	
22	Piston Plug Assembly	1	
23	O-Ring	1	
20 - 23	<b>* Piston Plug Kit SV2</b>		202764
	<b>* Piston Plug Kit SV2A</b>		202766
24	Flange Gasket Package	12	202079
7,10,16, 20,23,24	<b>SV2, SV2A Solenoid Gasket Kit</b>		202759
	<b>Repair Kit, SV2</b>		202768
	<b>Repair Kit, SV2A</b>		202772

\* To increase coil housing assembly clearance from valve body for SV2 to allow for insulation, order Piston Plug Kit for SV2A.

**25mm (1") SV2 Parts Kits**

Item	Description	Qty.	Kit Number
1	Coil	1	
2	Sleeve, Coil Insert	2	
3	Frame, Coil	1	
4	Cover, Coil	1	
5	Clip, Coil Cover		
1 to 5	<b>Coil &amp; Hsg Kit</b>		Consult Factory
6	Solenoid Oper. Assembly	1	
7	O-Ring (Not Shown)	1	
8	Wrench		
6 - 8	<b>Solenoid Oper. Repair Kit</b>		202700
9	Seal Cap	1	
10	O-Ring, Seal Cap	1	
9 - 10	<b>Seal Cap Kit (Discard Gasket)</b>		202713
11	Packing Nut	1	
12	Washer, Flat	1	
13	Packing, Stem	1	
11 - 13	<b>Stem Packing Kit</b>		202100
14	Manual Opening Stem	1	
11 - 14	<b>Manual Opening Stem Kit</b>		202746
15	Main Valve Plug Assembly	1	
16	Cover Gasket	1	
15,16	<b>Main Valve Plug Kit</b>		202750
17	Bolt Package	4	202762
18	Closing Spring	1	
16,18	<b>Closing Spring Kit</b>		202753
19	Top Cover	1	
20	O-Ring	1	
16,19,20	<b>Top Cover Kit</b>		202756
21	Piston Retainer	1	
22	Piston Plug Assembly	1	
23	O-Ring	1	
20 - 23	<b>* Piston Plug Kit SV2</b>		202764
	<b>* Piston Plug Kit SV2A</b>		202766
24	Flange Gasket Package	12	202079
7,10,16, 20,23,24	<b>SV2, SV2A Solenoid Gasket Kit</b>		202759
	<b>Repair Kit, SV2</b>		202769
	<b>Repair Kit, SV2A</b>		202773

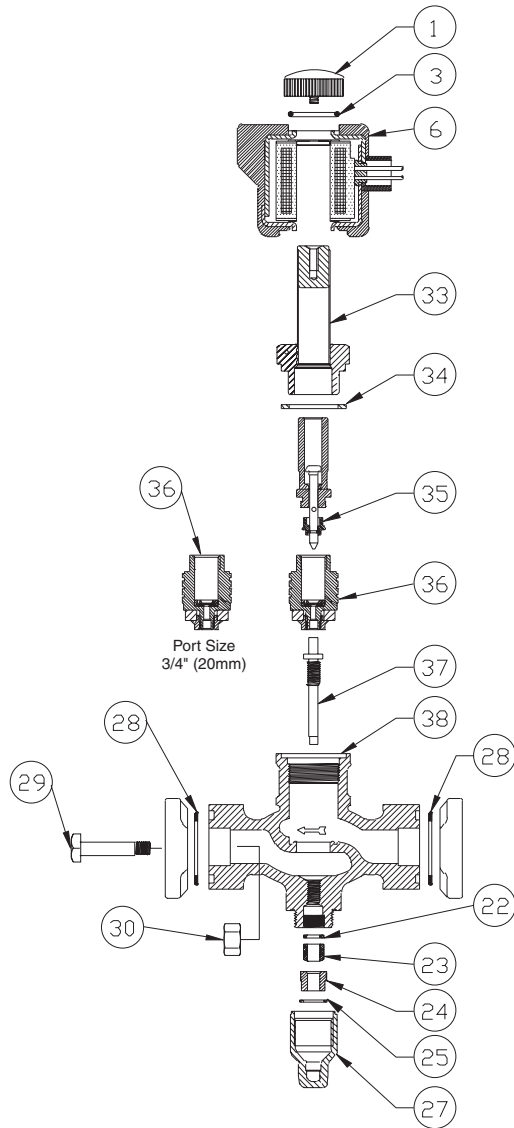
\* To increase coil housing assembly clearance from valve body for SV2 to allow for insulation, order Piston Plug Kit for SV2A.



**32mm (1 1/4") SV2 Parts Kits**

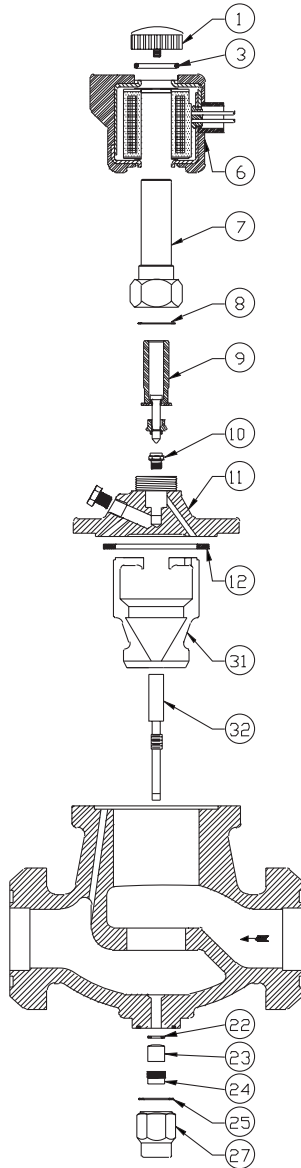
Item	Description	Qty.	Kit Number
1	Coil	1	
2	Sleeve, Coil Insert	2	
3	Frame, Coil	1	
4	Cover, Coil	1	
5	Clip, Coil Cover	1	
1 to 5	<b>Coil &amp; Hsg Kit</b>		Consult Factory
6	Solenoid Oper. Assembly	1	
7	O-Ring (Not Shown)	1	
8	Wrench	1	
6 - 8	<b>Solenoid Oper. Repair Kit</b>		202700
9	Seal Cap	1	
10	O-Ring, Seal Cap	1	
9 - 10	<b>Seal Cap Kit (Discard Gasket)</b>		202713
11	Packing Nut	1	
12	Washer, Flat	1	
13	Packing, Stem	1	
11 - 13	<b>Stem Packing Kit</b>		202100
14	Manual Opening Stem	1	
11 - 14	<b>Manual Opening Stem Kit</b>		202747
15	Main Valve Plug Assembly	1	
16	Cover Gasket	1	
15,16	<b>Main Valve Plug Kit</b>		202751
17	Bolt Package	4	202763
18	Closing Spring	1	
16,18	<b>Closing Spring Kit</b>		202754
19	Top Cover	1	
20	O-Ring	1	
16,19,20	<b>Top Cover Kit</b>		202757
21	Piston Retainer	1	
22	Piston Plug Assembly	1	
23	O-Ring	1	
20 - 23	<b>* Piston Plug Kit SV2</b>		202764
	<b>* Piston Plug Kit SV2A</b>		202766
24	Flange Gasket Package	12	202080
7,10,16,20,23,24	<b>SV2, SV2A Solenoid Gasket Kit</b>		202760
	<b>Repair Kit, SV2</b>		202770
	<b>Repair Kit, SV2A</b>		202774

\* To increase coil housing assembly clearance from valve body for SV2 to allow for insulation, order Piston Plug Kig for SV2A.



**S7A Spare Parts Kits**

Item	Description	Qty.	Kit Number
1	Knob	1	
3	Gasket	1	
1,3	<b>Knob Kit</b>		
6	Encapsulated Coil		Consult Factory
33	Tube Asm.	1	
34	Gasket	1	
35	Plunger Asm.	1	
36	Plug Asm.	1	
33,34	<b>Tube Kit</b>		201042
34,35,36	<b>Plug/Plunger Kit</b>		
	20mm (3/4")		201014
	25mm (1")		201012
37	Manual Open Stem	1	
22	Flat Washer	1	
23	Packing, Stem	1	
22,23,34,37	<b>Opening Stem Kit</b>		201142
24	Nut, Packing	1	
22,23,24	<b>Stem Pkg. Kit</b>		202100
25	Gasket	1	
27	Seal Cap	1	
25,27	<b>Seal Cap Kit</b>		202110
28	Flange Gasket Pkg.	12	202079
25,28,34	<b>S7A Gasket Kit</b>		202286
34	Gasket Pkg, Sol Tube	5	202405



**S5A (S5AE)**

**32mm (1 1/4") S5A Parts Kits**

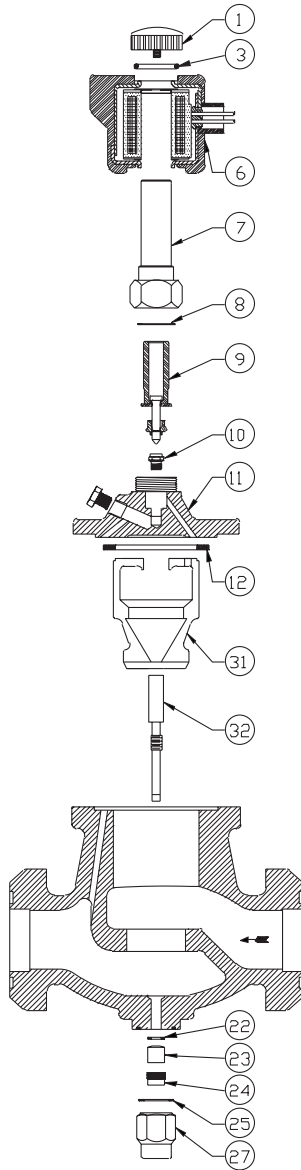
Item	Description	Qty.	Kit Number
1	Knob	1	
3	Gasket	1	
1,3	<b>Knob Kit</b>		
6	Encapsulated Coil		Consult Factory
7A	Sol. Tube Nut	1	
7B	Sol. Tube Asm.	1	
8	Gasket	1	
7A, 7B, 8	<b>Sol. Tube Kit</b>		201036
9	Plunger/Needle Asm.	1	
10	Seat Asm.	1	
8,9,10	<b>Plunger Seat Kit</b>		201630
11	Adapter Asm.	1	
12	Gasket	1	
11,12	<b>Adapter Kit</b>		201162
31	Piston Plug	1	
12,31	<b>Piston Plug Kit</b>		201200
32	Man. Open Stem	1	
22	FlatWasher	1	
23	Stem Packing	1	
24	Packing Nut	1	
32,12,22,23	<b>Opening Stem Kit</b>		201125
22,23,24	<b>Stem Packing Kit</b>		202100
25	Gasket	1	
27	Seal Cap	1	
25,27	<b>Seal Cap Kit</b>		202110
28	Flange Gasket Pkg.	12	202080
15	Bolt Pkg.	8	202249
8-10,12	<b>Sol. Repair Kit</b>		202073
22,23,24			
25,31,32			
8,12,25,28	<b>Sol. Gasket Kit</b>		202291

**40mm (1<sup>5</sup>/<sub>8</sub>") S5A Parts Kits**

Item	Description	Qty.	Kit Number
1	Knob	1	
3	Gasket	1	
1,3	<b>Knob Kit</b>		
6	Encapsulated Coil		Consult Factory
7A	Sol. Tube Nut	1	
7B	Sol. Tube Asm.	1	
8	Gasket	1	
7A, 7B, 8	<b>Sol. Tube Kit</b>		201036
9	Plunger/Needle Asm.	1	
10	Seat Asm.	1	
8,9,10	<b>Plunger Seat Kit</b>		201630
11	Adapter Asm.	1	
12	Gasket	1	
11,12	<b>Adapter Kit</b>		201154
31	Piston Plug	1	
12,31	<b>Piston Plug Kit</b>		201140
32	Man. Open Stem	1	
22	FlatWasher	1	
23	Stem Packing	1	
24	Packing Nut	1	
32,12,22,23	<b>Opening Stem Kit</b>		201133
22,23,24	<b>Stem Packing Kit</b>		202100
25	Gasket	1	
27	Seal Cap	1	
25,27	<b>Seal Cap Kit</b>		202110
28	Flange Gasket Pkg.	12	202081
15	Bolt Pkg.	8	202541
8-10,12 22,23,24 25,31,32	<b>Sol. Repair Kit</b>		202074
8,12,25,28	<b>Sol. Gasket Kit</b>		202292

**50mm (2") S5A Parts Kits**

Item	Description	Qty.	Kit Number
1	Knob	1	
3	Gasket	1	
1,3	<b>Knob Kit</b>		
6	Encapsulated Coil		Consult Factory
7A	Sol. Tube Nut	1	
7B	Sol. Tube Asm.	1	
8	Gasket	1	
7A, 7B, 8	<b>Sol. Tube Kit</b>		201036
9	Plunger/Needle Asm.	1	
10	Seat Asm.	1	
8,9,10	<b>Plunger Seat Kit</b>		201630
11	Adapter Asm.	1	
12	Gasket	1	
11,12	<b>Adapter Kit</b>		201154
31	Piston Plug	1	
12,31	<b>Piston Plug Kit</b>		201139
32	Man. Open Stem	1	
22	FlatWasher	1	
23	Stem Packing	1	
24	Packing Nut	1	
32,12,22,23	<b>Opening Stem Kit</b>		201133
22,23,24	<b>Stem Packing Kit</b>		202100
25	Gasket	1	
27	Seal Cap	1	
25,27	<b>Seal Cap Kit</b>		202110
28	Flange Gasket Pkg.	12	202081
15	Bolt Pkg.	8	202541
8-10,12 22,23,24 25,31,32	<b>Sol. Repair Kit</b>		202075
8,12,25,28	<b>Sol. Gasket Kit</b>		202292



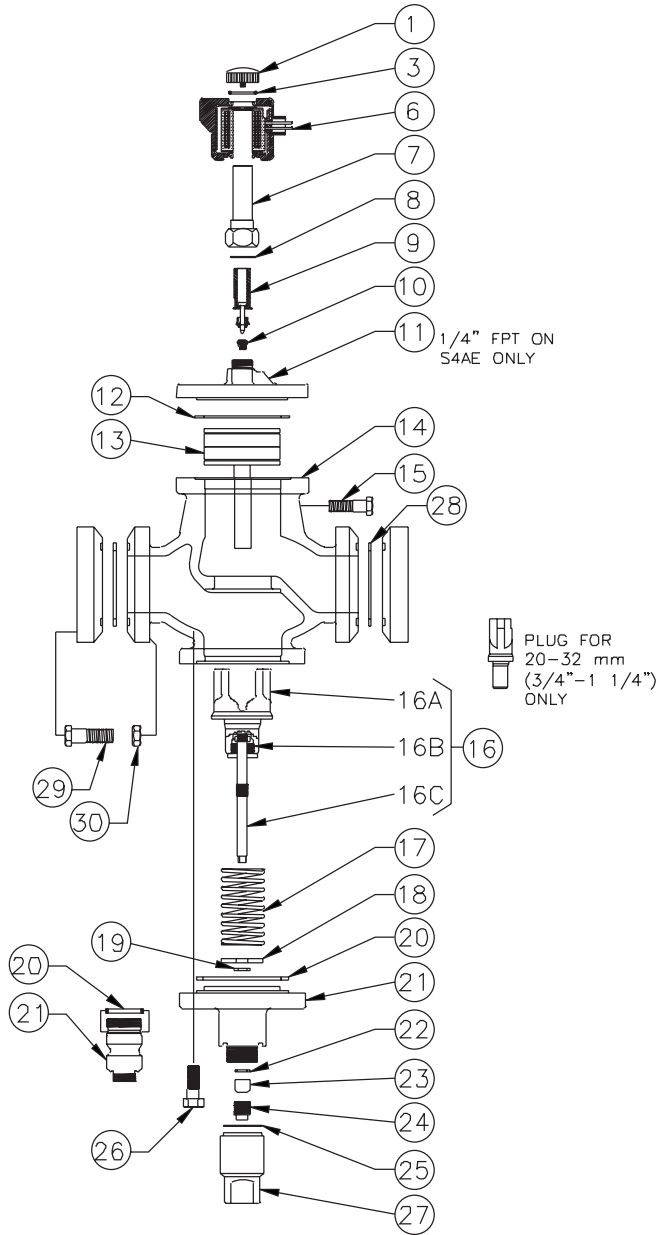
**S5A (S5AE)**

**65mm (2 1/2") S5A Parts Kits**

Item	Description	Qty.	Kit Number
1	Knob	1	
3	Gasket	1	
1,3	<b>Knob Kit</b>		
6	Encapsulated Coil		Consult Factory
7A	Sol. Tube Nut	1	
7B	Sol. Tube Asm.	1	
8	Gasket	1	
7A, 7B, 8	<b>Sol. Tube Kit</b>		201036
9	Plunger/Needle Asm.	1	
10	Seat Asm.	1	
8,9,10	<b>Plunger Seat Kit</b>		201630
11	Adapter Asm.	1	
12	Gasket	1	
11,12	<b>Adapter Kit</b>		201158
31	Piston Plug	1	
12,31	<b>Piston Plug Kit</b>		201117
32	Man. Open Stem	1	
22	FlatWasher	1	
23	Stem Packing	1	
24	Packing Nut	1	
32,12,22,23	<b>Opening Stem Kit</b>		201118
22,23,24	<b>Stem Packing Kit</b>		202100
25	Gasket	1	
27	Seal Cap	1	
25,27	<b>Seal Cap Kit</b>		202144
28	Flange Gasket Pkg.	12	202082
15	Bolt Pkg.	8	202541
8-10,12			
22,23,24	<b>Sol. Repair Kit</b>		202076
25,31,32			
8,12,25,28	<b>Sol. Gasket Kit</b>		202293

**75mm (3") S5A Parts Kits**

Item	Description	Qty.	Kit Number
1	Knob	1	
3	Gasket	1	
1,3	<b>Knob Kit</b>		
6	Encapsulated Coil		Consult Factory
7A	Sol. Tube Nut	1	
7B	Sol. Tube Asm.	1	
8	Gasket	1	
7A, 7B, 8	<b>Sol. Tube Kit</b>		201036
9	Plunger/Needle Asm.	1	
10	Seat Asm.	1	
8,9,10	<b>Plunger Seat Kit</b>		201630
11	Adapter Asm.	1	
12	Gasket	1	
11,12	<b>Adapter Kit</b>		201156
31	Piston Plug	1	
12,31	<b>Piston Plug Kit</b>		201121
32	Man. Open Stem	1	
22	FlatWasher	1	
23	Stem Packing	1	
24	Packing Nut	1	
32,12,22,23	<b>Opening Stem Kit</b>		201216
22,23,24	<b>Stem Packing Kit</b>		202101
25	Gasket	1	
27	Seal Cap	1	
25,27	<b>Seal Cap Kit</b>		202111
28	Flange Gasket Pkg.	12	202083
15	Bolt Pkg.	6	202252
8-10,12 22,23,24 25,31,32	<b>Sol. Repair Kit</b>		202077
8,12,25,28	<b>Sol. Gasket Kit</b>		202294



**20mm (3/4") S4A Parts Kits**

Item	Description	Qty.	Kit Number
1	Knob	1	
3	Gasket	1	
1,3	<b>Knob Kit</b>		205237
6	Encapsulated Coil		Consult Factory
7	Tube Assembly, Solenoid	1	
8	Gasket	1	
7-8	<b>Tube Kit, Solenoid</b>		201036
9	Plunger/Needle Assembly	1	
8-9	<b>Plunger Kit, Needle</b>		201019
10	Seat Assembly	1	
8-10	<b>Plunger/Seat Kit</b>		201630
11	Adapter Assembly	1	
12	Gasket	1	
11-12	<b>Adapter Kit, S4A</b>		201148
	<b>Adapter Kit, S4AE</b>		202138
13	Piston	1	
12-13	<b>Piston Kit</b>		200760
14	Valve Body		N/A
16	Plug/Stem Assembly	1	
17	Spring, Comp	1	
18	Washer, Flat	1	
19	Wiper, Dirt	1	
20	O-Ring	1	
17-20	<b>Spring Kit, Closing</b>		202298
21	Cover, Bottom	1	
22	Washer, Flat	1	
23	Packing, Stem	1	
20-23	<b>Cover Kit</b>		200761
24	Nut, Packing	1	
22-24	<b>Packing Kit, Stem</b>		202100
16-20, 22-24	<b>Plug Kit, Main Valve (50%)</b>		202029
	<b>Plug Kit, Main Valve</b>		202037
8-10, 12, 13	<b>Repair Kit (50%)</b>		202355
16-20, 22-24	<b>Repair Kit</b>		202064
25	Gasket	1	
27	Seal Cap	1	
25, 27	<b>Cap Kit, Seal</b>		202110
16-25, 27	<b>Bottom Assembly Kit (50%)</b>		202348
	<b>Bottom Assembly Kit</b>		202018
28	Gasket, Flange	2	
	<b>Gasket Kit (all gaskets, o-ring #20)</b>		202112

**Packages**

15	Bolt Package, Adapter (50%)	8	202248
	Bolt Package, Adapter	8	202249
28	Gasket, Flange	12	202079

**25mm (1") S4A Parts Kits**

Item	Description	Qty.	Kit Number
1	Knob	1	
3	Gasket	1	
1,3	<b>Knob Kit</b>		205237
6	Encapsulated Coil		Consult Factory
7	Tube Assembly, Solenoid	1	
8	Gasket	1	
7-8	<b>Tube Kit, Solenoid</b>		201036
9	Plunger/Needle Assembly	1	
8-9	<b>Plunger Kit, Needle</b>		201019
10	Seat Assembly	1	
8-10	<b>Plunger/Seat Kit</b>		201630
11	Adapter Assembly	1	
12	Gasket	1	
11-12	<b>Adapter Kit, S4A</b>		201148
	<b>Adapter Kit, S4AE</b>		202138
13	Piston	1	
12-13	<b>Piston Kit</b>		200760
14	Valve Body		N/A
16	Plug/Stem Assembly	1	
17	Spring, Comp	1	
18	Washer, Flat	1	
19	Wiper, Dirt	1	
20	O-Ring	1	
17-20	<b>Spring Kit, Closing</b>		202298
21	Cover, Bottom	1	
22	Washer, Flat	1	
23	Packing, Stem	1	
20-23	<b>Cover Kit</b>		200761
24	Nut, Packing	1	
22-24	<b>Packing Kit, Stem</b>		202100
16-20, 22-24	<b>Plug Kit, Main Valve</b>		202038
8-10,12,13 16-20,22-24	<b>Repair Kit</b>		202065
25	Gasket	1	
27	Seal Cap	1	
25, 27	<b>Cap Kit, Seal</b>		202110
16-25, 27	<b>Bottom Assembly Kit</b>		202019
28	Gasket, Flange	2	
	<b>Gasket Kit (all gaskets, o-ring #20)</b>		202112

**Packages**

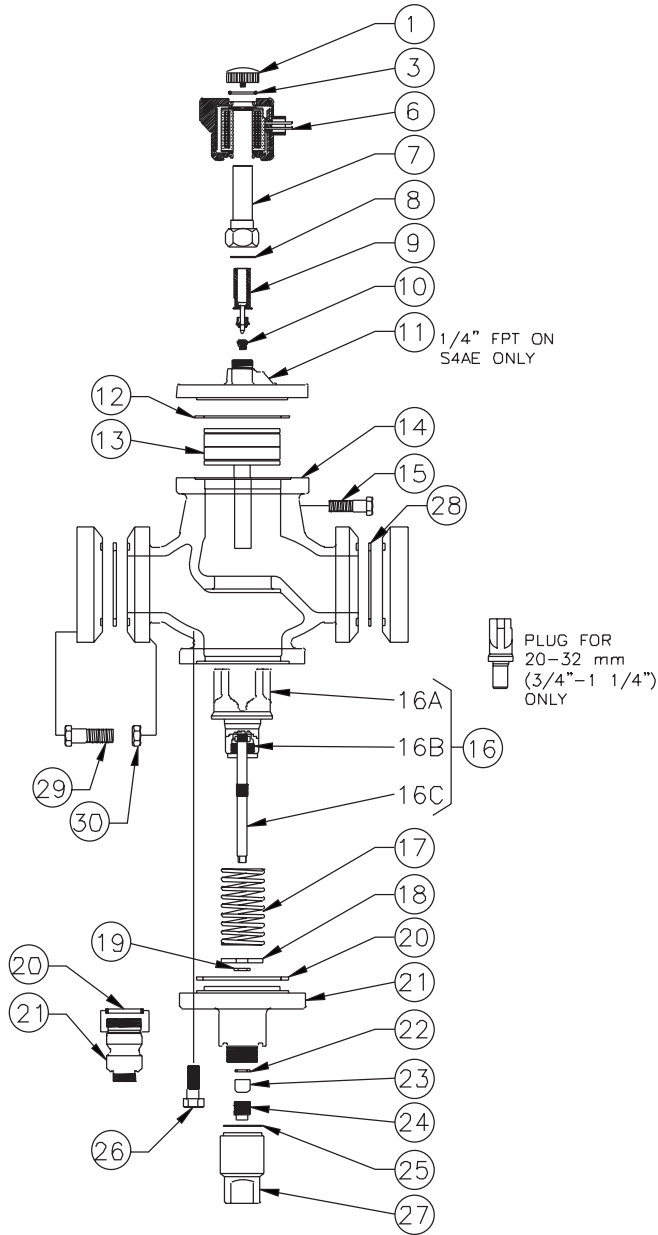
15	Bolt Package, Adapter	8	202249
28	Gasket, Flange	12	202079

**32mm (1¼") S4A Parts Kits**

Item	Description	Qty.	Kit Number
1	Knob	1	
3	Gasket	1	
1,3	<b>Knob Kit</b>		205237
6	Encapsulated Coil		Consult Factory
7	Tube Assembly, Solenoid	1	
8	Gasket	1	
7-8	<b>Tube Kit, Solenoid</b>		201036
9	Plunger/Needle Assembly	1	
8-9	<b>Plunger Kit, Needle</b>		201019
10	Seat Assembly	1	
8-10	<b>Plunger/Seat Kit</b>		201630
11	Adapter Assembly	1	
12	Gasket	1	
11-12	<b>Adapter Kit, S4A</b>		201160
	<b>Adapter Kit, S4AE</b>		202139
13	Piston	1	
12-13	<b>Piston Kit</b>		200767
14	Valve Body		N/A
16	Plug/Stem Assembly	1	
17	Spring, Comp	1	
18	Washer, Flat	1	
19	Wiper, Dirt	1	
20	O-Ring	1	
17-20	<b>Spring Kit, Closing</b>		202299
21	Cover, Bottom	1	
22	Washer, Flat	1	
23	Packing, Stem	1	
20-23	<b>Cover Kit</b>		200761
24	Nut, Packing	1	
22-24	<b>Packing Kit, Stem</b>		202100
16-20, 22-24	<b>Plug Kit, Main Valve</b>		202039
8-10,12,13 16-20,22-24	<b>Repair Kit</b>		202066
25	Gasket	1	
27	Seal Cap	1	
25, 27	<b>Cap Kit, Seal</b>		202110
16-25, 27	<b>Bottom Assembly Kit</b>		202020
28	Gasket, Flange	2	
	<b>Gasket Kit (all gaskets, o-ring #20)</b>		202113

**Packages**

15	Bolt Package, Adapter	8	202541
28	Gasket, Flange	12	202080



**40mm (1 5/8") S4A Parts Kits**

Item	Description	Qty.	Kit Number
1	Knob	1	
3	Gasket	1	
1,3	<b>Knob Kit</b>		205237
6	Encapsulated Coil		Consult Factory
7	Tube Assembly, Solenoid	1	
8	Gasket	1	
7-8	<b>Tube Kit, Solenoid</b>		201036
9	Plunger/Needle Assembly	1	
8-9	<b>Plunger Kit, Needle</b>		201019
10	Seat Assembly	1	
8-10	<b>Plunger/Seat Kit</b>		201630
11	Adapter Assembly	1	
12	Gasket	1	
11-12	<b>Adapter Kit, S4A</b>		201152
	<b>Adapter Kit, S4AE</b>		202140
13	Piston	1	
12-13	<b>Piston Kit</b>		200389
14	Valve Body		N/A
16	Plug/Stem Assembly	1	
17	Spring, Comp	1	
18	Washer, Flat	1	
19	Wiper, Dirt	1	
20	O-Ring	1	
17-20	<b>Spring Kit, Closing</b>		202302
21	Cover, Bottom	1	
22	Washer, Flat	1	
23	Packing, Stem	1	
24	Nut, Packing	1	
22-24	<b>Packing Kit, Stem</b>		202100
16-20, 22-24	<b>Plug Kit, Main Valve</b>		202024
8-10, 12, 13	<b>Repair Kit</b>		202067
16-20, 22-24			
25	Gasket	1	
27	Seal Cap	1	
25, 27	<b>Cap Kit, Seal</b>		202110
16-25, 27	<b>Bottom Assembly Kit</b>		202013
28	Gasket, Flange	2	
	<b>Gasket Kit (all gaskets, o-ring #20)</b>		202114
<b>Packages</b>			
15	Bolt Package, Adapter	8	202541
26	Bolt Package, Bottom Cap (Bolts 1/2"-13 x 1 1/2" long)	6	202251
28	Gasket, Flange	12	202081

**50mm (2") S4A Parts Kits**

Item	Description	Qty.	Kit Number
1	Knob	1	
3	Gasket	1	
1,3	<b>Knob Kit</b>		205237
6	Encapsulated Coil		Consult Factory
7	Tube Assembly, Solenoid	1	
8	Gasket	1	
7-8	<b>Tube Kit, Solenoid</b>		201036
9	Plunger/Needle Assembly	1	
8-9	<b>Plunger Kit, Needle</b>		201019
10	Seat Assembly	1	
8-10	<b>Plunger/Seat Kit</b>		201630
11	Adapter Assembly	1	
12	Gasket	1	
11-12	<b>Adapter Kit, S4A</b>		201152
	<b>Adapter Kit, S4AE</b>		202140
13	Piston	1	
12-13	<b>Piston Kit</b>		200389
14	Valve Body		N/A
16	Plug/Stem Assembly	1	
17	Spring, Comp	1	
18	Washer, Flat	1	
19	Wiper, Dirt	1	
20	O-Ring	1	
17-20	<b>Spring Kit, Closing</b>		202302
21	Cover, Bottom	1	
22	Washer, Flat	1	
23	Packing, Stem	1	
24	Nut, Packing	1	
22-24	<b>Packing Kit, Stem</b>		202100
16-20, 22-24	<b>Plug Kit, Main Valve</b>		202025
8-10, 12, 13 16-20, 22-24	<b>Repair Kit</b>		202068
25	Gasket	1	
27	Seal Cap	1	
25, 27	<b>Cap Kit, Seal</b>		202110
16-25, 27	<b>Bottom Assembly Kit</b>		202014
28	Gasket, Flange	2	
	<b>Gasket Kit (all gaskets, o-ring #20)</b>		202114

**Packages**

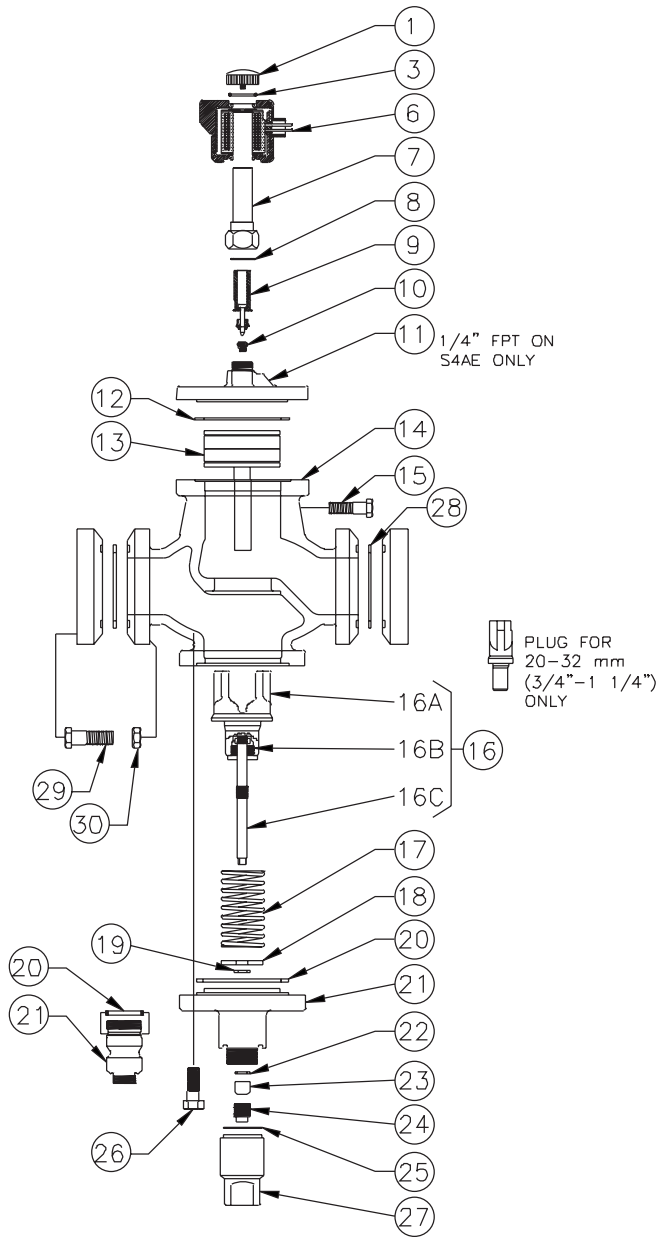
15	Bolt Package, Adapter	8	202541
26	Bolt Package, Bottom Cap (Bolts 1/2"-13 x 1 1/2" long)	6	202251
28	Gasket, Flange	12	202081

**65mm (2 1/2") S4A Parts Kits**

Item	Description	Qty.	Kit Number
1	Knob	1	
3	Gasket	1	
1,3	<b>Knob Kit</b>		205237
6	Encapsulated Coil		Consult Factory
7	Tube Assembly, Solenoid	1	
8	Gasket	1	
7-8	<b>Tube Kit, Solenoid</b>		201036
9	Plunger/Needle Assembly	1	
8-9	<b>Plunger Kit, Needle</b>		201019
10	Seat Assembly	1	
8-10	<b>Plunger/Seat Kit</b>		201630
11	Adapter Assembly	1	
12	Gasket	1	
11-12	<b>Adapter Kit, S4A</b>		201557
	<b>Adapter Kit, S4AE</b>		202141
13	Piston	1	
12-13	<b>Piston Kit</b>		200391
14	Valve Body		N/A
16	Plug/Stem Assembly	1	
17	Spring, Comp	1	
18	Washer, Flat	1	
19	Wiper, Dirt	1	
20	O-Ring	1	
17-20	<b>Spring Kit, Closing</b>		202303
21	Cover, Bottom	1	
22	Washer, Flat	1	
23	Packing, Stem	1	
24	Nut, Packing	1	
22-24	<b>Packing Kit, Stem</b>		202100
16-20, 22-24	<b>Plug Kit, Main Valve</b>		202026
8-10, 12, 13 16-20, 22-24	<b>Repair Kit</b>		202069
25	Gasket	1	
27	Seal Cap	1	
25, 27	<b>Cap Kit, Seal</b>		202110
16-25, 27	<b>Bottom Assembly Kit</b>		202015
28	Gasket, Flange	2	
	<b>Gasket Kit (all gaskets, o-ring #20)</b>		202115

**Packages**

15	Bolt Package, Adapter	8	202541
26	Bolt Package, Bottom Cap (Bolts 1/2"-13 x 1 1/2" long)	6	202251
28	Gasket, Flange	12	202082

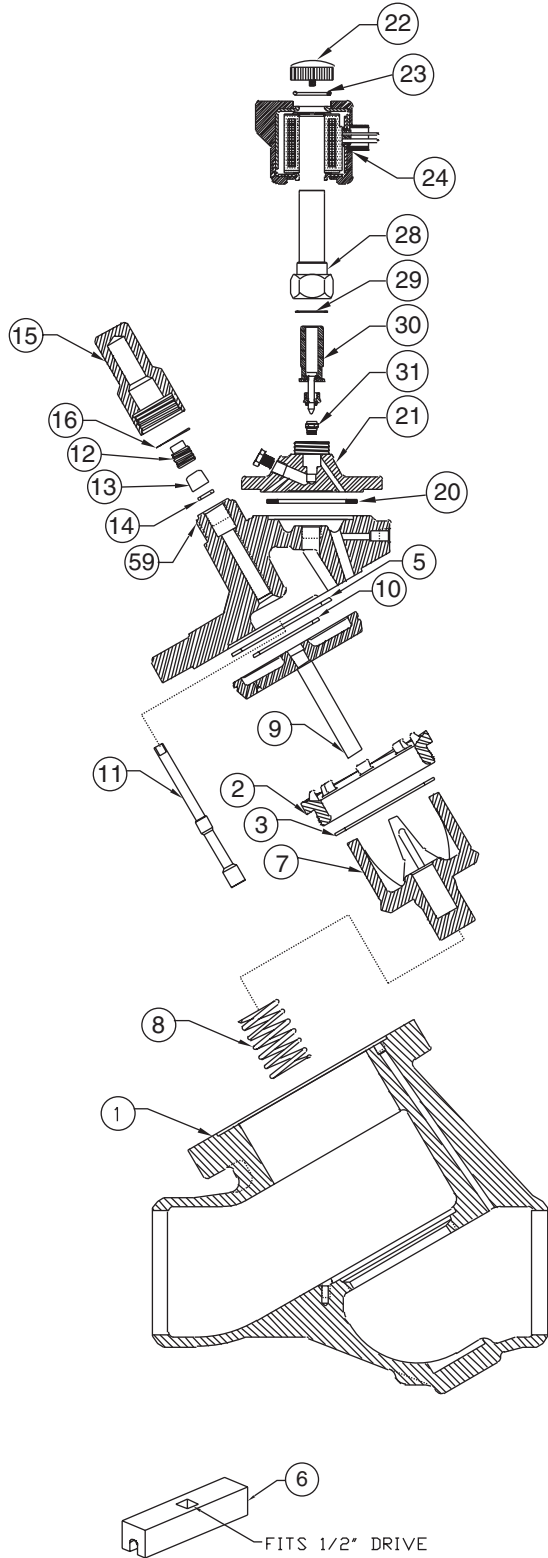


**75mm (3") S4A Parts Kits**

Item	Description	Qty.	Kit Number
1	Knob	1	
3	Gasket	1	
1,3	<b>Knob Kit</b>		205237
6	Encapsulated Coil		Consult Factory
7	Tube Assembly, Solenoid	1	
8	Gasket	1	
7-8	<b>Tube Kit, Solenoid</b>		201036
9	Plunger/Needle Assembly	1	
8-9	<b>Plunger Kit, Needle</b>		201019
10	Seat Assembly	1	
8-10	<b>Plunger/Seat Kit</b>		201630
11	Adapter Assembly	1	
12	Gasket	1	
11-12	<b>Adapter Kit, S4A</b>		201155
	<b>Adapter Kit, S4AE</b>		202142
13	Piston	1	
12-13	<b>Piston Kit</b>		200393
14	Valve Body		N/A
16	Plug/Stem Assembly	1	
17	Spring, Comp	1	
18	Washer, Flat	1	
19	Wiper, Dirt	1	
20	O-Ring	1	
17-20	<b>Spring Kit, Closing</b>		202304
21	Cover, Bottom	1	
22	Washer, Flat	1	
23	Packing, Stem	1	
24	Nut, Packing	1	
22-24	<b>Packing Kit, Stem</b>		202101
16-20, 22-24	<b>Plug Kit, Main Valve</b>		202027
8-10, 12, 13	<b>Repair Kit</b>		202070
16-20, 22-24			
25	Gasket	1	
27	Seal Cap	1	
25, 27	<b>Cap Kit, Seal</b>		202111
16-25, 27	<b>Bottom Assembly Kit</b>		202016
28	Gasket, Flange	2	
	<b>Gasket Kit (all gaskets, o-ring #20)</b>		202116
<b>Packages</b>			
15	Bolt Package, Adapter	6	202252
26	Bolt Package, Bottom Cap (Bolts 1/2"-13 x 1 1/2" long)	6	202252
28	Gasket, Flange	12	202083

**100mm (4") S4A Parts Kits**

Item	Description	Qty.	Kit Number
1	Knob	1	
3	Gasket	1	
1,3	<b>Knob Kit</b>		205237
6	Encapsulated Coil		Consult Factory
7	Tube Assembly, Solenoid	1	
8	Gasket	1	
7-8	<b>Tube Kit, Solenoid</b>		201036
9	Plunger/Needle Assembly	1	
8-9	<b>Plunger Kit, Needle</b>		201019
10	Seat Assembly	1	
8-10	<b>Plunger/Seat Kit</b>		201630
11	Adapter Assembly	1	
12	Gasket	1	
11-12	<b>Adapter Kit, S4A</b>		201164
	<b>Adapter Kit, S4AE</b>		202165
13	Piston	1	
12-13	<b>Piston Kit</b>		200227
14	Valve Body		N/A
16	Plug/Stem Assembly	1	
17	Spring, Comp	1	
18	Washer, Flat	1	
19	Wiper, Dirt	1	
20	O-Ring	1	
17-20	<b>Spring Kit, Closing</b>		202305
21	Cover, Bottom	1	
22	Washer, Flat	1	
23	Packing, Stem	1	
24	Nut, Packing	1	
22-24	<b>Packing Kit, Stem</b>		202101
16-20, 22-24	<b>Plug Kit, Main Valve</b>		202028
8-10, 12, 13 16-20, 22-24	<b>Repair Kit</b>		202071
25	Gasket	1	
27	Seal Cap	1	
25, 27	<b>Cap Kit, Seal</b>		202111
16-25, 27	<b>Bottom Assembly Kit</b>		202017
28	Gasket, Flange	2	
	<b>Gasket Kit</b> (all gaskets, o-ring #20)		202117
<b>Packages</b>			
15	Bolt Package, Adapter	6	202252
26	Bolt Package, Bottom Cap (Bolts 1/2"-13 x 1 1/2" long)	6	202252
28	Gasket, Flange	12	202084



**125mm (5") S4W Parts Kits**

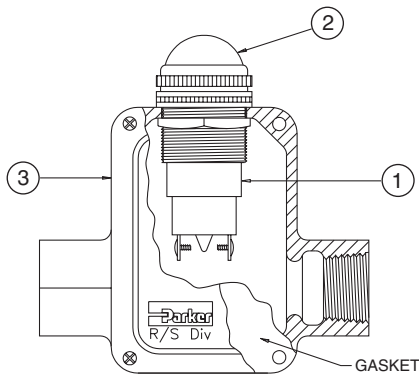
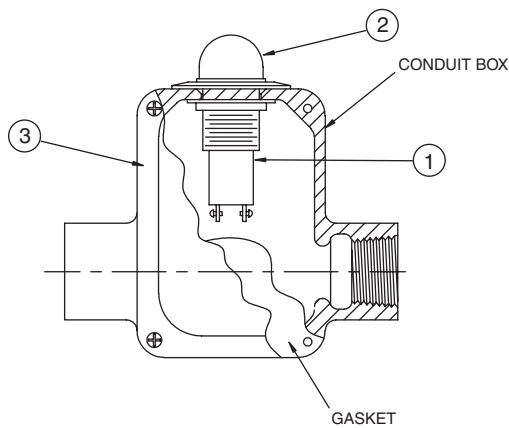
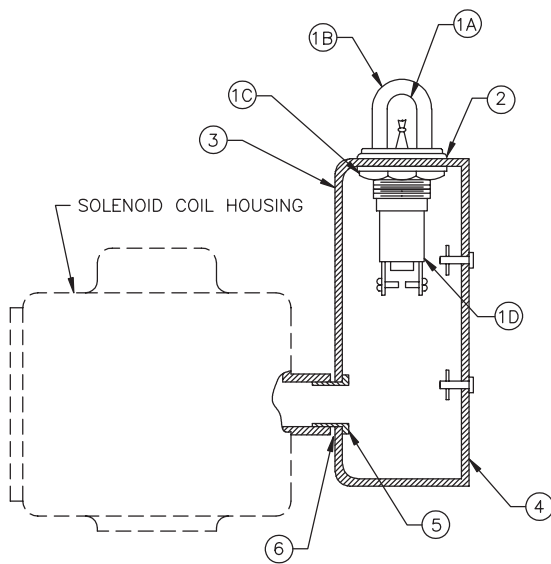
Item	Description	Qty.	Kit Number
1	Body, Valve		N/A
2	Seat, Valve	1	
3	O-Ring, Seat	1	
4	Screw, Retaining	1	
5	Gasket (Adapter to Body)	1	
6	Wrench, Seat	1	
2-6	<b>Seat Kit</b>		201534
7	Plug, Modulating	1	
8	Spring, Compression	1	
2-8	<b>Plug Kit</b>		201537
9	Piston Stem Assembly	1	
10	Ring, Seal	1	
5,9,10	<b>Piston Kit</b>		201540
11	Stem, Manual Opening	1	
12	Nut, Packing	1	
13	Packing, Stem	1	
14	Washer, Packing	1	
5,11-14	<b>Stem Kit, Opening</b>		201546
15	Seal Cap	1	
16	Gasket	1	
15-16	<b>Cap Kit, Seal</b>		201549
17	Bolt, Hex Head	6	
18	Nuts	—	
19	Studs	2	
5,17-19	<b>Bolt Kit</b>		201552
20	Gasket (Bonnet)	1	
3,5,10,16-20	<b>Gasket Kit</b>		201558
21	Adapter		
22	Knob	1	
23	O-Ring	1	
22-23	<b>Knob Kit</b>		205237
24	Coil Assembly		Consult Factory
28	Tube Assembly	1	
29	Gasket	1	
28-29	<b>Tube Kit</b>		201036
30	Plunger Needle Assembly	1	
31	Seat Assembly	1	
29-31	<b>Plunger Seat Kit</b>		201630
58	Plug, Pipe		302011
5,13-20	<b>Adapter Cover Kit</b>		202861
58-59			

**150mm (6") S4W Parts Kits**

Item	Description	Qty.	Kit Number
1	Body, Valve		N/A
2	Seat, Valve	1	
3	O-Ring, Seat	1	
4	Screw, Retaining	1	
5	Gasket (Adapter to Body)	1	
6	Wrench, Seat	1	
2-6	<b>Seat Kit</b>		201535
7	Plug, Modulating	1	
8	Spring, Compression	1	
2-8	<b>Plug Kit</b>		201538
9	Piston Stem Assembly	1	
10	Ring, Seal	1	
5,9,10	<b>Piston Kit</b>		201541
11	Stem, Manual Opening	1	
12	Nut, Packing	1	
13	Packing, Stem	1	
14	Washer, Packing	1	
5,11-14	<b>Stem Kit, Opening</b>		201547
15	Seal Cap	1	
16	Gasket	1	
15-16	<b>Cap Kit, Seal</b>		201550
17	Bolt, Hex Head	6	
18	Nuts	—	
19	Studs	2	
5,17-19	<b>Bolt Kit</b>		201553
20	Gasket (Bonnet)	1	
3,5,10, 16-20	<b>Gasket Kit</b>		201559
21	Adapter		
22	Knob	1	
23	O-Ring	1	
22-23	<b>Knob Kit</b>		205237
24	Coil Assembly		Consult Factory
28	Tube Assembly	1	
29	Gasket	1	
28-29	<b>Tube Kit</b>		201036
30	Plunger Needle Assembly	1	
31	Seat Assembly	1	
29-31	<b>Plunger Seat Kit</b>		201630
58	Plug, Pipe		302011
5,13-20 58-59	<b>Adapter Cover Kit</b>		202484

**200mm (8") S4W Parts Kits**

Item	Description	Qty.	Kit Number
1	Body, Valve		N/A
2	Seat, Valve	1	
3	O-Ring, Seat	1	
4	Screw, Retaining	1	
5	Gasket (Adapter to Body)	1	
6	Wrench, Seat	1	
2-6	<b>Seat Kit</b>		201536
7	Plug, Modulating	1	
8	Spring, Compression	1	
2-8	<b>Plug Kit</b>		201539
9	Piston Stem Assembly	1	
10	Ring, Seal	1	
5,9,10	<b>Piston Kit</b>		201542
11	Stem, Manual Opening	1	
12	Nut, Packing	1	
13	Packing, Stem	1	
14	Washer, Packing	1	
5,11-14	<b>Stem Kit, Opening</b>		201548
15	Seal Cap	1	
16	Gasket	1	
15-16	<b>Cap Kit, Seal</b>		201551
17	Bolt, Hex Head	6	
18	Nuts	—	
19	Studs	2	
5,17-19	<b>Bolt Kit</b>		201554
20	Gasket (Bonnet)	1	
3,5,10, 16-20	<b>Gasket Kit</b>		201560
21	Adapter		
22	Knob	1	
23	O-Ring	1	
22-23	<b>Knob Kit</b>		205237
24	Coil Assembly		Consult Factory
28	Tube Assembly	1	
29	Gasket	1	
28-29	<b>Tube Kit</b>		201036
30	Plunger Needle Assembly	1	
31	Seat Assembly	1	
29-31	<b>Plunger Seat Kit</b>		201630
58	Plug, Pipe		302011
5,13-20 58-59	<b>Adapter Cover Kit</b>		203099



**PLT-1 Parts/Kits**

Item	Description	Part Number
1	Pilot Light Unit	202456
1A	6 Volt Bulb	302204
1B	Lens	
	Green*	302209
	Red	302210
	Amber	302211
	White	302212
1C	Nut & Lock Washer	—
1D	Pilot Light Base	—
2	Escutcheon Ring	N/A
3	Conduit Box	N/A
4	Conduit Box Cover	N/A
5	Conduit Nipple ½"	N/A
6	Conduit Lock Nut ½"	N/A

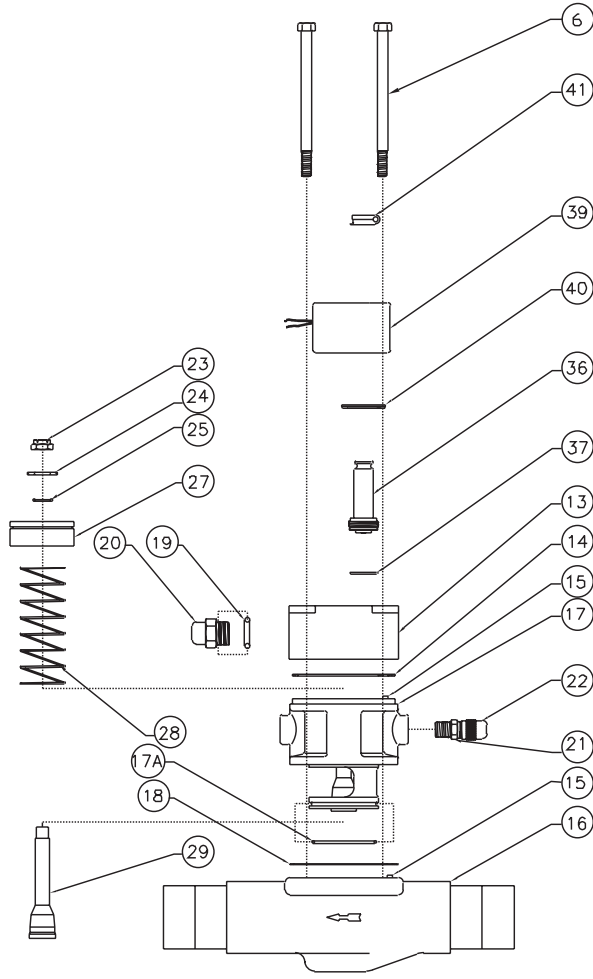
**PLT-2 Parts/Kits**

Item	Description	Kit Number
1	<b>Light Kit</b>	
	Green	203487
	Red	203488
	Amber	203489
	White	203490
2	<b>Lens Kit</b>	
	Green	203492
	Red	203493
	Amber	203494
	White	203495
3	<b>Cover Kit</b>	203485

**PLT-5 Parts/Kits**

Item	Description	Kit Number
1	<b>Light Kit 120V</b>	
	Green	204909
	Red	204910
	Amber	204911
	White	202912
	<b>Light Kit 240V</b>	
	Green	204913
	Red	204914
	Amber	204915
	White	204916
2	<b>Lens Kit</b>	
	Green	204917
	Red	204918
	Amber	204919
	White	204920
3	<b>Cover Kit</b>	203485



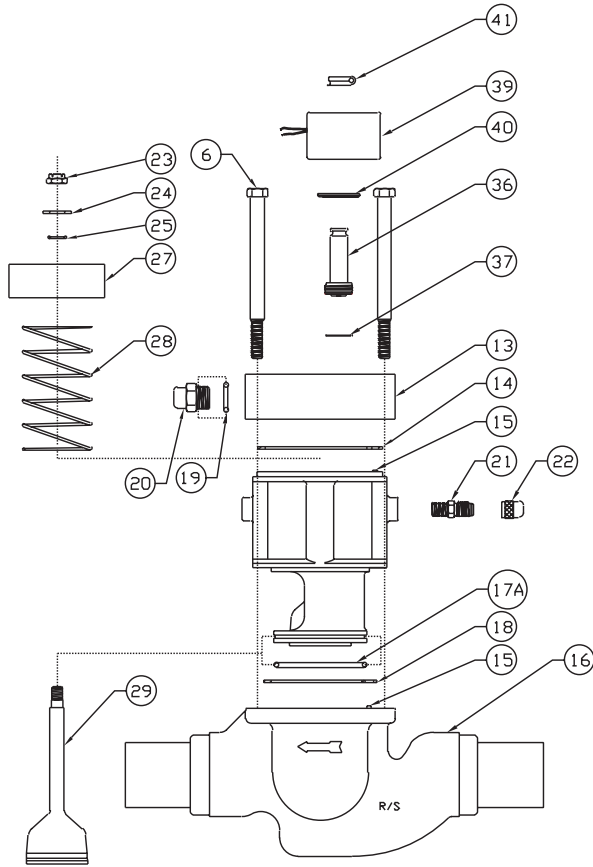


**S81 Parts Kits**

Item	Description	Qty.	Kit Number
13,14,19, 20,36,37	<b>Adapter Assembly</b>		204671
15	Pin, Locating	1	N/A
16	Body Assembly	1	N/A
14,17,	<b>Cartridge Kit (3/8")</b>		202712
17A, 18	<b>Cartridge Kit (5/8")</b>		202711
	<b>Cartridge Kit (7/8")</b>		202710
	<b>Cartridge Kit (1 -1 /8")</b>		202709
	<b>Cartridge Kit (1 -3/8")</b>		202708
36	Solenoid Operator Assembly		
36, 37, 38	<b>Solenoid Operator Kit</b>		202700
39, 40, 41	<b>Coil and Housing Kit</b>		Consult Factory

**Packages**

6	Bolt Package	4	204677
---	--------------	---	--------

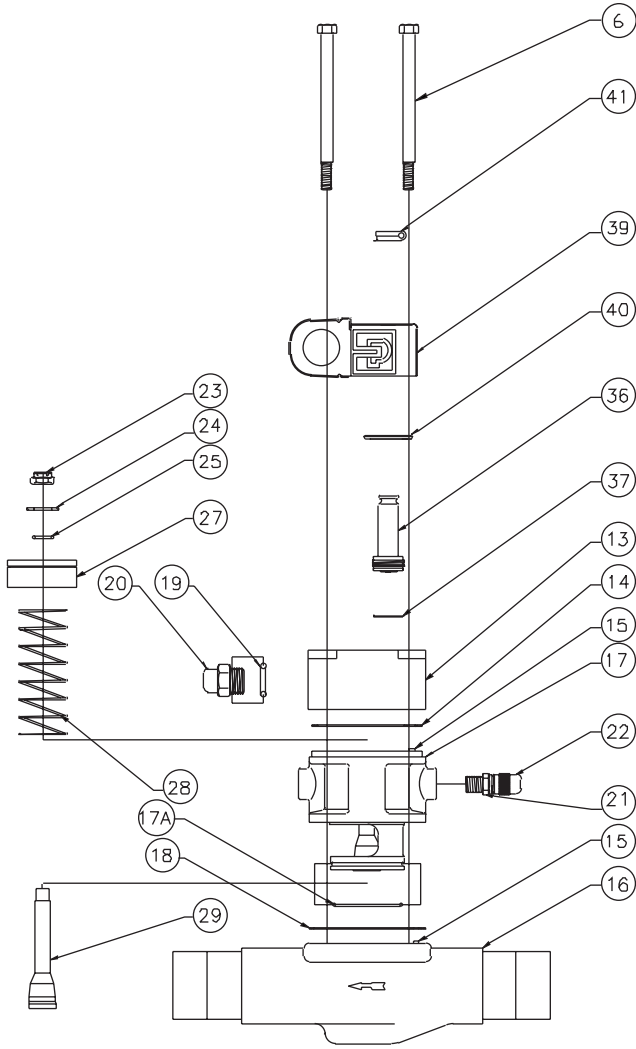


**S82 Parts Kits**

Item	Description	Qty.	Kit Number
13,14,19, 20,36,37	<b>Adapter Assembly</b>	1	204670
15	Pin, Locating	1	N/A
16	Body Assembly	1	N/A
14,17,17A,	<b>Cartridge Kit (1-5/8")</b>		203811
18, 26, 30	<b>Cartridge Kit (2-1/8")</b>		203812
	<b>Cartridge Kit (2-5/8")</b>		203813
14, 17A, 18, 26	<b>Service Kit, Piston/Plug</b>		203823
14, 17A, 18, 26-28	<b>Piston Kit</b>		203824
36	Solenoid Operator Assembly		
36, 37, 38	<b>Solenoid Operator Kit</b>		202700
39, 40, 41	<b>Coil and Housing Kit</b>		Consult Factory

**Packages**

6	Bolt Package	4	204676
---	--------------	---	--------

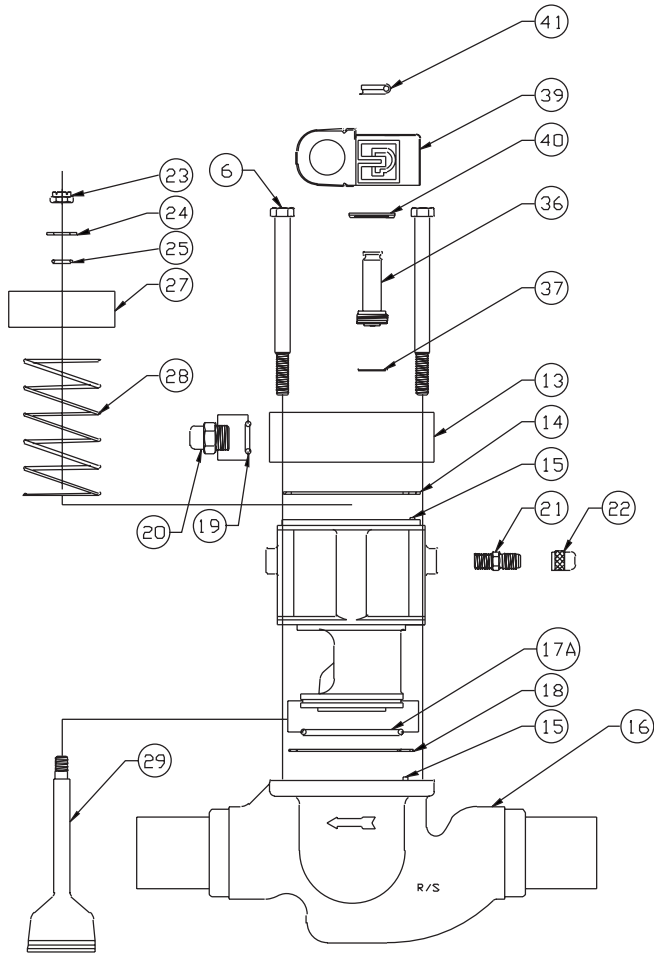


**SC1 Parts Kits**

Item	Description	Qty.	Kit Number
13,14,19, 20,36,37	<b>Adaptor Assembly</b>	1	204671
15	Pin, Locating	1	N/A Separately
16	Body Assembly	1	N/A Separately
14,17,17A,18	<b>Cartridge Kit (3/8")-03</b>		204452
	<b>Cartridge Kit (5/8")-05</b>		204453
	<b>Cartridge Kit (7/8")-07</b>		204454
	<b>Cartridge Kit (1-1/8")-09</b>		204455
	<b>Cartridge Kit (1-3/8")-11</b>		204456
36	Solenoid Operator Assembly		
36,37,38	<b>Solenoid Operator Kit</b>	1	202700
39,40,41	<b>Coil and Housing Kit</b>	1	Consult Factory

**Packages**

8	Bolt Package	4	204677
---	--------------	---	--------

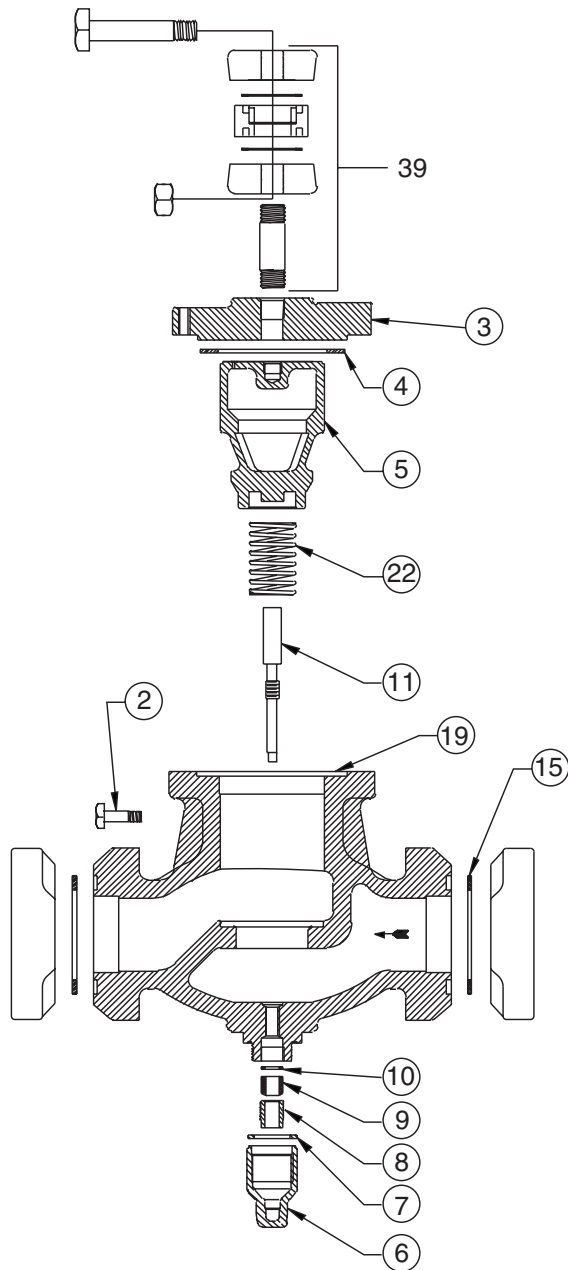


**SC2 Parts Kits**

Item	Description	Qty.	Kit Number
13,14,19, 20,36,37	<b>Adaptor Assembly</b>	1	204670
15	Pin, Locating	1	N/A Separately
16	Body Assembly	1	N/A Separately
14,17,17A,	<b>Cartridge Kit (1-5/8") - 13</b>		204597
18, 26, 30	<b>Cartridge Kit (2-1/8") - 17</b>		204598
	<b>Cartridge Kit (2-5/8") - 21</b>		204599
30	Items 27, 28, 29	1	
36	Solenoid Operator Assembly		
36,37,38	<b>Solenoid Operator Kit</b>	1	202700
39,40,41	<b>Coil and Housing Kit</b>	1	Consult Factory

**Packages**

8	Bolt Package	4	204678
---	--------------	---	--------



**32mm (1¼") CK2 Parts Kits**

Item	Description	Qty.	Kit Number
2	Cover Screw	8	202541
3	Top Cover	1	
4	Cover Gasket	1	
3, 4	<b>Cover Kit</b>		200669
5	Piston Plug Asm.	1	
4, 5	<b>Piston Plug Kit</b>		201205
6	Seal Cap	1	
7	Gasket	1	
6, 7	<b>Seal Cap Kit</b>		202110
8	Packing Nut	1	
9	Stem Packing	1	
10	Flat Washer	1	
11	Manual Opening Stem	1	
8, 9, 10	<b>Packing Kit</b>		202100
9, 10, 11	<b>Opening Stem Kit</b>		201514
15	Flange Gasket Pkg.	12	202080
22	Opening Spring	1	301528

**40mm (1⅝") CK2 Parts Kits**

Item	Description	Qty.	Kit Number
2	Cover Screw	8	202540
3	Top Cover	1	
4	Cover Gasket	1	
3, 4	<b>Cover Kit</b>		200673
5	Piston Plug Asm.	1	
4, 5	<b>Piston Plug Kit</b>		201140
6	Seal Cap	1	
7	Gasket	1	
6, 7	<b>Seal Cap Kit</b>		202110
8	Packing Nut	1	
9	Stem Packing	1	
10	Flat Washer	1	
11	Manual Opening Stem	1	
8, 9, 10	<b>Packing Kit</b>		202100
9, 10, 11	<b>Opening Stem Kit</b>		201133
15	Flange Gasket Pkg.	12	202081
22	Opening Spring	1	301490

**50mm (2") CK2 Parts Kits**

Item	Description	Qty.	Kit Number
2	Cover Screw	8	202540
3	Top Cover	1	
4	Cover Gasket	1	
3, 4	<b>Cover Kit</b>		200673
5	Piston Plug Asm.	1	
4, 5	<b>Piston Plug Kit</b>		201139
6	Seal Cap	1	
7	Gasket	1	
6, 7	<b>Seal Cap Kit</b>		202110
8	Packing Nut	1	
9	Stem Packing	1	
10	Flat Washer	1	
11	Manual Opening Stem	1	
8, 9, 10	<b>Packing Kit</b>		202100
9, 10, 11	<b>Opening Stem Kit</b>		201133
15	Flange Gasket Pkg.	12	202081
22	Opening Spring	1	301490

**75mm (3") CK2 Parts Kits**

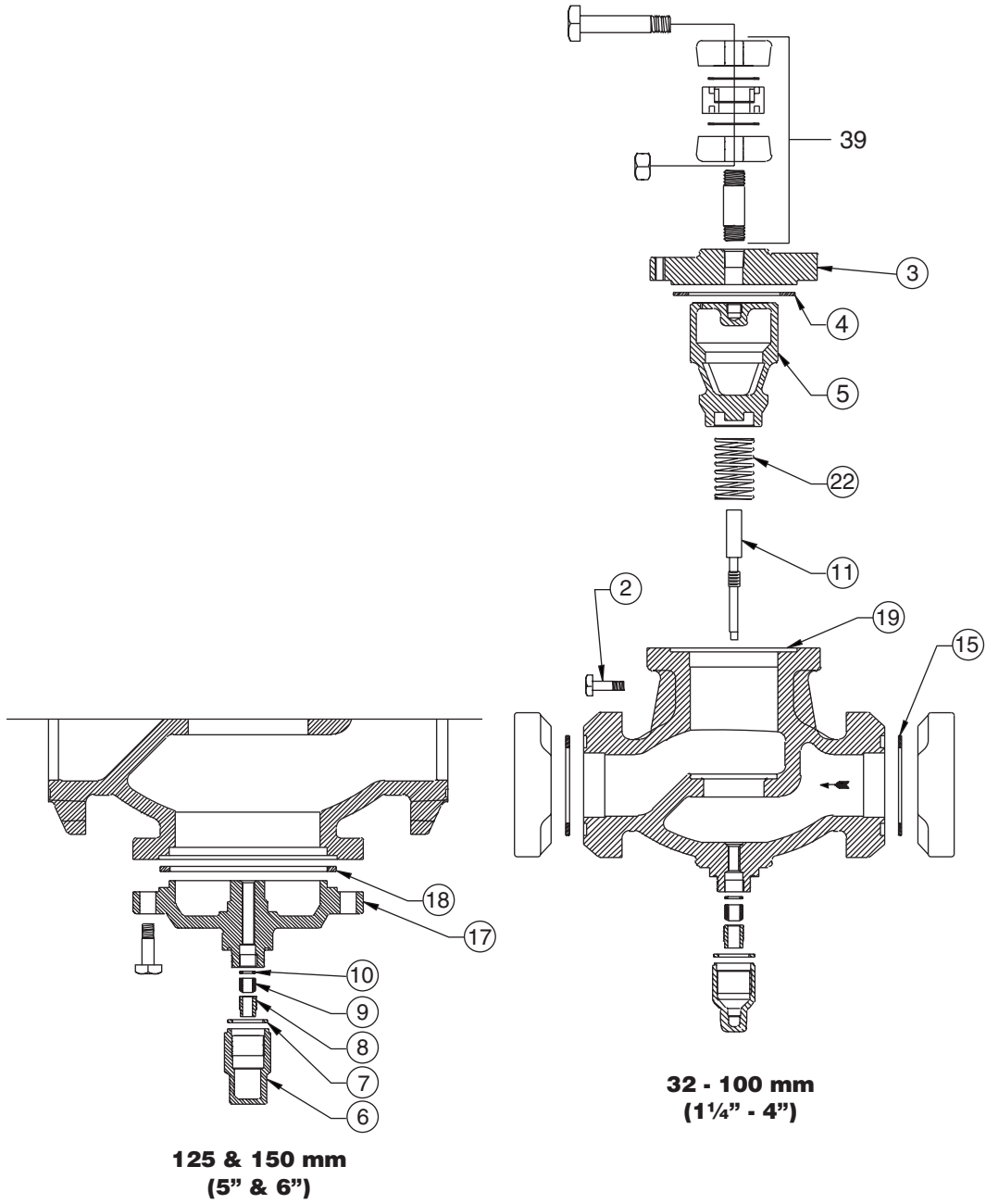
Item	Description	Qty.	Kit Number
2	Cover Screw	6	202252
3	Top Cover	1	
4	Cover Gasket	1	
3, 4	<b>Cover Kit</b>		200676
5	Piston Plug Asm.	1	
4, 5	<b>Piston Plug Kit</b>		201121
6	Seal Cap	1	
7	Gasket	1	
6, 7	<b>Seal Cap Kit</b>		202111
8	Packing Nut	1	
9	Stem Packing	1	
10	Flat Washer	1	
11	Manual Opening Stem	1	
8, 9, 10	<b>Packing Kit</b>		202101
9, 10, 11	<b>Opening Stem Kit</b>		201216
15	Flange Gasket Pkg.	12	202083
22	Opening Spring	1	301505

**65mm (2½") CK2 Parts Kits**

Item	Description	Qty.	Kit Number
2	Cover Screw	8	202540
3	Top Cover	1	
4	Cover Gasket	1	
3, 4	<b>Cover Kit</b>		200690
5	Piston Plug Asm.	1	
4, 5	<b>Piston Plug Kit</b>		201117
6	Seal Cap	1	
7	Gasket	1	
6, 7	<b>Seal Cap Kit</b>		202144
8	Packing Nut	1	
9	Stem Packing	1	
10	Flat Washer	1	
11	Manual Opening Stem	1	
8, 9, 10	<b>Packing Kit</b>		202100
9, 10, 11	<b>Opening Stem Kit</b>		201118
15	Flange Gasket Pkg.	12	202082
22	Opening Spring	1	301494

**100mm (4") CK2 Parts Kits**

Item	Description	Qty.	Kit Number
2	Cover Screw	6	202252
3	Top Cover	1	
4	Cover Gasket	1	
3, 4	<b>Cover Kit</b>		200677
5	Piston Plug Asm.	1	
4, 5	<b>Piston Plug Kit</b>		201226
6	Seal Cap	1	
7	Gasket	1	
6, 7	<b>Seal Cap Kit</b>		202111
8	Packing Nut	1	
9	Stem Packing	1	
10	Flat Washer	1	
11	Manual Opening Stem	1	
8, 9, 10	<b>Packing Kit</b>		202101
9, 10, 11	<b>Opening Stem Kit</b>		201213
15	Flange Gasket Pkg.	12	202084
22	Opening Spring	1	301500

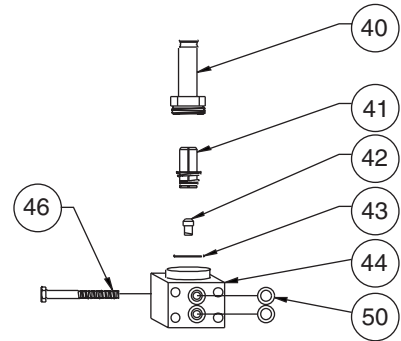
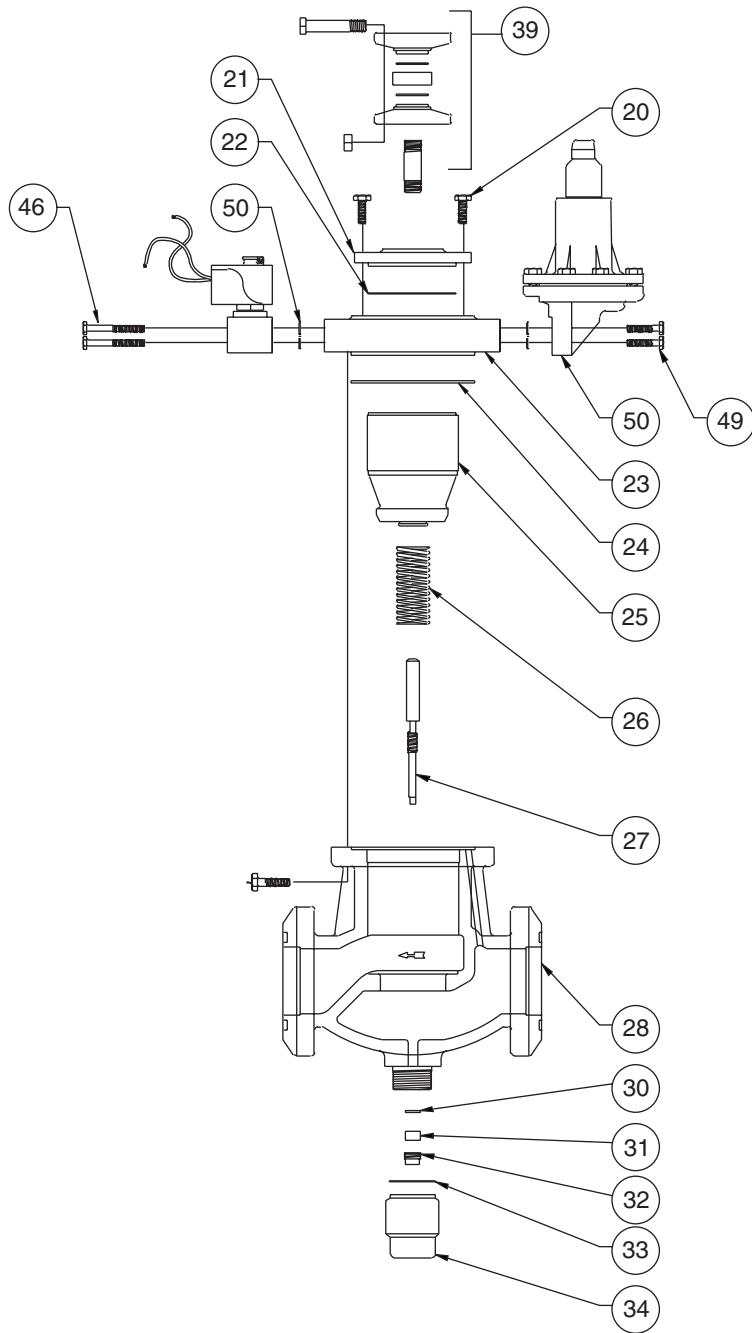


**125mm (5") CK2 Parts Kits**

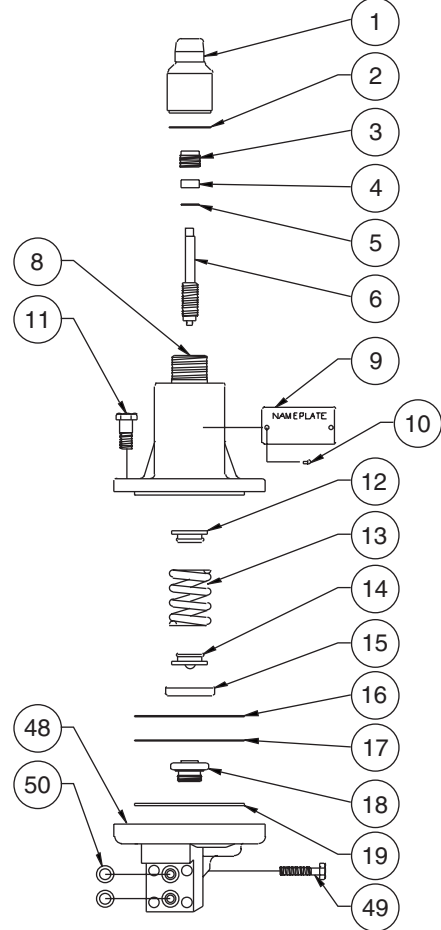
Item	Description	Qty.	Kit Number
2	Cover Screw	8	202538
3	Top Cover	1	
4	Cover Gasket	1	
3, 4	<b>Cover Kit</b>		200678
5	Piston Plug Asm.	1	
4, 5	<b>Piston Plug Kit</b>		201227
6	Seal Cap	1	
7	Gasket	1	
6, 7	<b>Seal Cap Kit</b>		202111
8	Packing Nut	1	
9	Stem Packing	1	
10	Flat Washer	1	
11	Manual Opening Stem	1	
8, 9, 10	<b>Packing Kit</b>		202101
9, 10, 11	<b>Opening Stem Kit</b>		202363
15	Flange Gasket Pkg.	2	202081
16	Bottom Cap Bolt	6	202250
17	Bottom Cap	1	
18	Bottom Gasket	1	
17-18	<b>Bottom Cap Kit</b>		200724
22	Opening Spring	1	301511

**150mm (6") CK2 Parts Kits**

Item	Description	Qty.	Kit Number
2	Cover Screw	10	202539
3	Top Cover	1	
4	Cover Gasket	1	
3, 4	<b>Cover Kit</b>		200681
5	Piston Plug Asm.	1	
4, 5	<b>Piston Plug Kit</b>		202491
6	Seal Cap	1	
7	Gasket	1	
6, 7	<b>Seal Cap Kit</b>		202111
8	Packing Nut	1	
9	Stem Packing	1	
10	Flat Washer	1	
11	Manual Opening Stem	1	
8, 9, 10	<b>Packing Kit</b>		202101
9, 10, 11	<b>Opening Stem Kit</b>		202364
15	Flange Gasket Pkg.	2	202086
16	Bottom Cap Bolt	8	202539
17	Bottom Cap	1	
18	Bottom Gasket	1	
17-18	<b>Bottom Cap Kit</b>		200755
22	Opening Spring	1	301534



**S6N SOLENOID PILOT**



**A2D PRESSURE PILOT**

**32mm (1¼") CK5 Parts Kits**

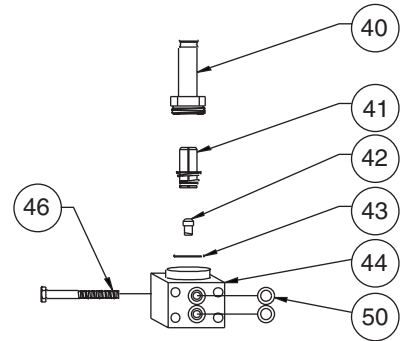
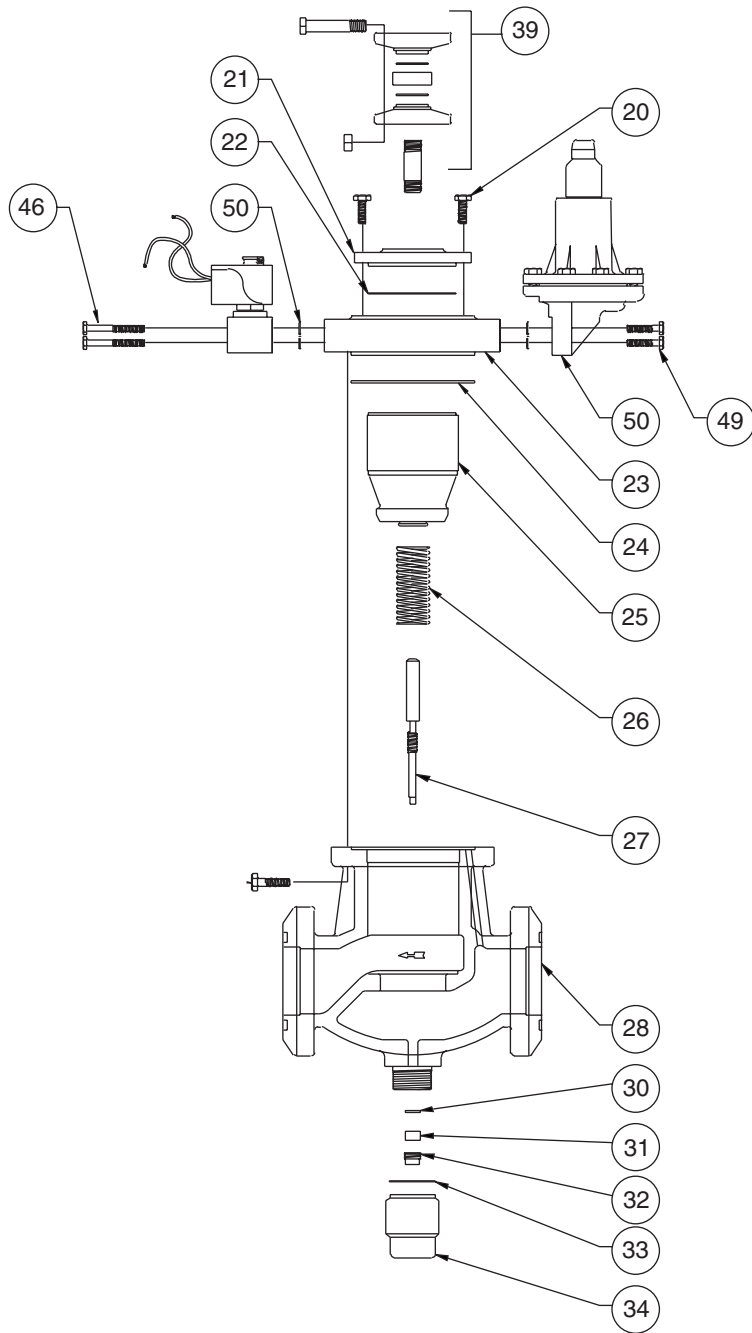
Item	Description	Qty.	Kit Number
1	Cap	1	
2	Gasket	1	
1,2	<b>Cap Kit</b>		202110
3	Nut, Packing	1	
4	Packing, Stem	1	
5	Washer	1	
6	Stem	1	
12	Plate, Spring Upper	1	
13	Spring	1	
14	Plate, Spring Lower	1	
15	Follower, Diaphragm	1	
3-6,12-15	<b>Spring Stem Kit</b>		202006
16	Gasket	1	
17	Diaphragm	1	
18	Seat	1	
19	Gasket	1	
16,17,19	<b>Diaphragm Kit</b>		200770
16-19	<b>Seat Kit, Pilot</b>		202000
20	Screw		
21	Cover	1	
22	Gasket	1	
20-22	<b>Cover Kit</b>		204701
23	Adapter	1	
24	Gasket	1	
22-24	<b>Adapter Kit</b>		204702
25	Piston Plug	1	
24,25	<b>Piston Plug Kit</b>		204750
26	Spring	1	301528
27	Stem	1	
30	Washer	1	
31	Packing, Stem	1	
32	Nut, Packing	1	
27,31,32	<b>Stem Kit</b>		201514
30-32	<b>Packing Kit</b>		202100
33	Gasket	1	
34	Cap, Seal	1	
33,34	<b>Cap Kit</b>		202110
39	<b>Disc Strainer Assembly</b>		See Note Below
41	Plunger	1	
43	O-Ring	1	
41-43	<b>Solenoid Repair Kit</b>		204707
46	Bolt		
49	Bolt		
50	<b>"O" Ring Kit</b>		202424
46,50	<b>Bolt / "O" Ring Kit</b>		201574
49,50	<b>Bolt / "O" Ring Kit</b>		201572

**NOTE:** Item 39 is available in various connection sizes and styles. Consult factory for part number.

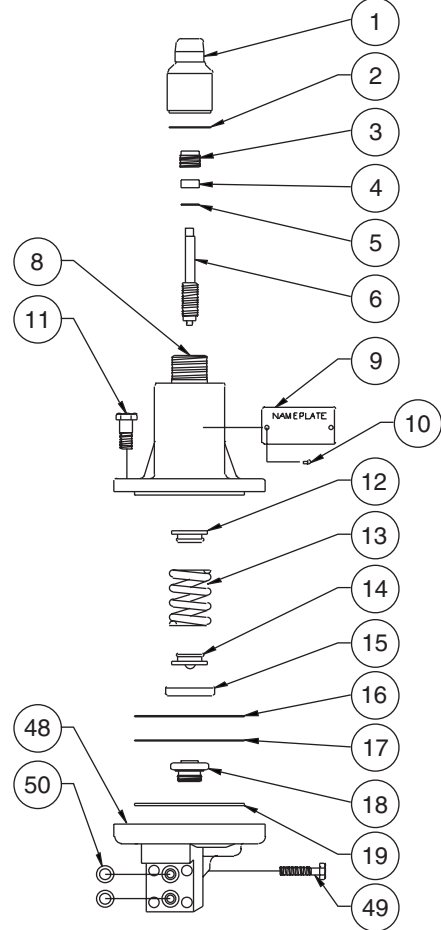
**40mm (1⅝") CK5 Parts Kits**

Item	Description	Qty.	Kit Number
1	Cap	1	
2	Gasket	1	
1,2	<b>Cap Kit</b>		202110
3	Nut, Packing	1	
4	Packing, Stem	1	
5	Washer	1	
6	Stem	1	
12	Plate, Spring Upper	1	
13	Spring	1	
14	Plate, Spring Lower	1	
15	Follower, Diaphragm	1	
3-6,12-15	<b>Spring Stem Kit</b>		202006
16	Gasket	1	
17	Diaphragm	1	
18	Seat	1	
19	Gasket	1	
16,17,19	<b>Diaphragm Kit</b>		200770
16-19	<b>Seat Kit, Pilot</b>		202000
20	Screw		
21	Cover	1	
22	Gasket	1	
20-22	<b>Cover Kit</b>		204701
23	Adapter	1	
24	Gasket	1	
22-24	<b>Adapter Kit</b>		204703
25	Piston Plug	1	
24,25	<b>Piston Plug Kit</b>		204749
26	Spring	1	301490
27	Stem	1	
30	Washer	1	
31	Packing, Stem	1	
32	Nut, Packing	1	
27,31,32	<b>Stem Kit</b>		201133
30-32	<b>Packing Kit</b>		202100
33	Gasket	1	
34	Cap, Seal	1	
33,34	<b>Cap Kit</b>		202110
39	<b>Disc Strainer Assembly</b>		See Note Below
41	Plunger	1	
43	O-Ring	1	
41-43	<b>Solenoid Repair Kit</b>		204707
46	Bolt		
49	Bolt		
50	<b>"O" Ring Kit</b>		202424
46,50	<b>Bolt / "O" Ring Kit</b>		201574
49,50	<b>Bolt / "O" Ring Kit</b>		201572

**NOTE:** Item 39 is available in various connection sizes and styles. Consult factory for part number.



**S6N SOLENOID PILOT**



**A2D PRESSURE PILOT**

**50mm (2") CK5 Parts Kits**

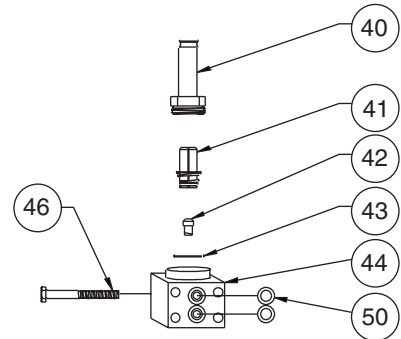
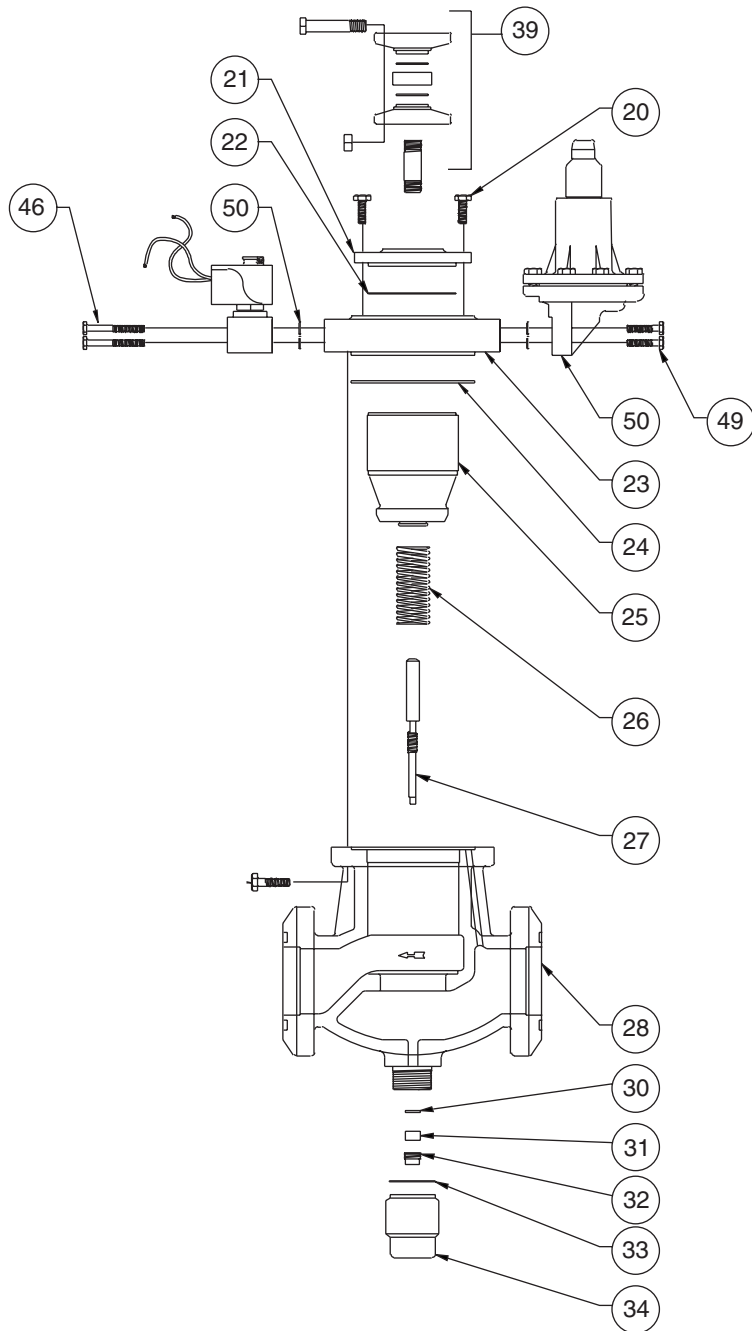
Item	Description	Qty.	Kit Number
1	Cap	1	
2	Gasket	1	
1,2	<b>Cap Kit</b>		202110
3	Nut, Packing	1	
4	Packing, Stem	1	
5	Washer	1	
6	Stem	1	
12	Plate, Spring Upper	1	
13	Spring	1	
14	Plate, Spring Lower	1	
15	Follower, Diaphragm	1	
3-6,12-15	<b>Spring Stem Kit</b>		202006
16	Gasket	1	
17	Diaphragm	1	
18	Seat	1	
19	Gasket	1	
16,17,19	<b>Diaphragm Kit</b>		200770
16-19	<b>Seat Kit, Pilot</b>		202000
20	Screw		
21	Cover	1	
22	Gasket	1	
20-22	<b>Cover Kit</b>		204701
23	Adapter	1	
24	Gasket	1	
22-24	<b>Adapter Kit</b>		204703
25	Piston Plug	1	
24,25	<b>Piston Plug Kit</b>		204757
26	Spring	1	301490
27	Stem	1	
30	Washer	1	
31	Packing, Stem	1	
32	Nut, Packing	1	
27,31,32	<b>Stem Kit</b>		201133
30-32	<b>Packing Kit</b>		202100
33	Gasket	1	
34	Cap, Seal	1	
33,34	<b>Cap Kit</b>		202110
39	<b>Disc Strainer Assembly</b>		See Note Below
41	Plunger	1	
43	O-Ring	1	
41-43	<b>Solenoid Repair Kit</b>		204707
46	Bolt		
49	Bolt		
50	<b>"O" Ring Kit</b>		202424
46,50	<b>Bolt / "O" Ring Kit</b>		201574
49,50	<b>Bolt / "O" Ring Kit</b>		201572

**NOTE:** Item 39 is available in various connection sizes and styles. Consult factory for part number.

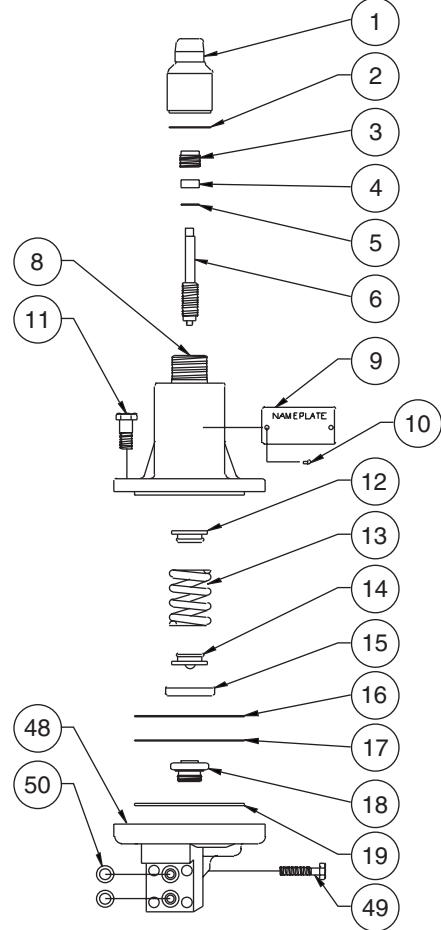
**65mm (2½") CK5 Parts Kits**

Item	Description	Qty.	Kit Number
1	Cap	1	
2	Gasket	1	
1,2	<b>Cap Kit</b>		202110
3	Nut, Packing	1	
4	Packing, Stem	1	
5	Washer	1	
6	Stem	1	
12	Plate, Spring Upper	1	
13	Spring	1	
14	Plate, Spring Lower	1	
15	Follower, Diaphragm	1	
3-6,12-15	<b>Spring Stem Kit</b>		202006
16	Gasket	1	
17	Diaphragm	1	
18	Seat	1	
19	Gasket	1	
16,17,19	<b>Diaphragm Kit</b>		200770
16-19	<b>Seat Kit, Pilot</b>		202001
20	Screw		
21	Cover	1	
22	Gasket	1	
20-22	<b>Cover Kit</b>		204701
23	Adapter	1	
24	Gasket	1	
22-24	<b>Adapter Kit</b>		204704
25	Piston Plug	1	
24,25	<b>Piston Plug Kit</b>		204756
26	Spring	1	301494
27	Stem	1	
30	Washer	1	
31	Packing, Stem	1	
32	Nut, Packing	1	
27,31,32	<b>Stem Kit</b>		201118
30-32	<b>Packing Kit</b>		202100
33	Gasket	1	
34	Cap, Seal	1	
33,34	<b>Cap Kit</b>		202144
39	<b>Disc Strainer Assembly</b>		See Note Below
41	Plunger	1	
43	O-Ring	1	
41-43	<b>Solenoid Repair Kit</b>		204707
46	Bolt		
49	Bolt		
50	<b>"O" Ring Kit</b>		202424
46,50	<b>Bolt / "O" Ring Kit</b>		201574
49,50	<b>Bolt / "O" Ring Kit</b>		201572

**NOTE:** Item 39 is available in various connection sizes and styles. Consult factory for part number.



**S6N SOLENOID PILOT**



**A2D PRESSURE PILOT**

**75mm (3") CK5 Parts Kits**

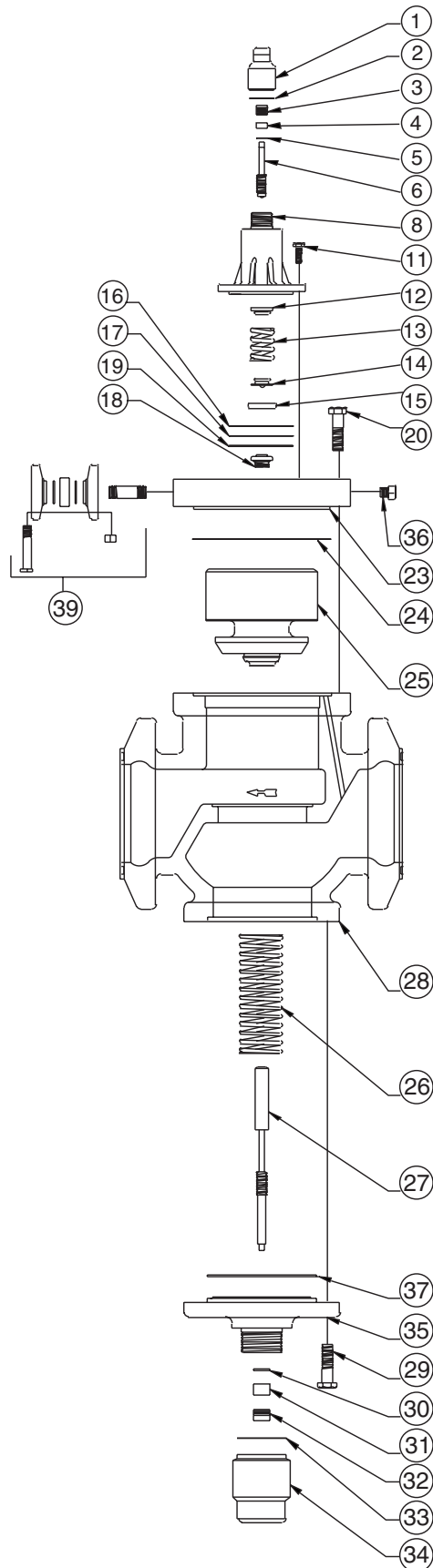
Item	Description	Qty.	Kit Number
1	Cap	1	
2	Gasket	1	
1,2	<b>Cap Kit</b>		202110
3	Nut, Packing	1	
4	Packing, Stem	1	
5	Washer	1	
6	Stem	1	
12	Plate, Spring Upper	1	
13	Spring	1	
14	Plate, Spring Lower	1	
15	Follower, Diaphragm	1	
3-6,12-15	<b>Spring Stem Kit</b>		202006
16	Gasket	1	
17	Diaphragm	1	
18	Seat	1	
19	Gasket	1	
16,17,19	<b>Diaphragm Kit</b>		200770
16-19	<b>Seat Kit, Pilot</b>		202001
20	Screw		
21	Cover	1	
22	Gasket	1	
20-22	<b>Cover Kit</b>		204701
23	Adapter	1	
24	Gasket	1	
22-24	<b>Adapter Kit</b>		204705
25	Piston Plug	1	
24,25	<b>Piston Plug Kit</b>		204755
26	Spring	1	301505
27	Stem	1	
30	Washer	1	
31	Packing, Stem	1	
32	Nut, Packing	1	
27,31,32	<b>Stem Kit</b>		201216
30-32	<b>Packing Kit</b>		202101
33	Gasket	1	
34	Cap, Seal	1	
33,34	<b>Cap Kit</b>		202111
39	<b>Disc Strainer Assembly</b>		See Note Below
41	Plunger	1	
43	O-Ring	1	
41-43	<b>Solenoid Repair Kit</b>		204707
46	Bolt		
49	Bolt		
50	<b>"O" Ring Kit</b>		202424
46,50	<b>Bolt / "O" Ring Kit</b>		201574
49,50	<b>Bolt / "O" Ring Kit</b>		201572

**NOTE:** Item 39 is available in various connection sizes and styles. Consult factory for part number.

**100mm (4") CK5 Parts Kits**

Item	Description	Qty.	Kit Number
1	Cap	1	
2	Gasket	1	
1,2	<b>Cap Kit</b>		202110
3	Nut, Packing	1	
4	Packing, Stem	1	
5	Washer	1	
6	Stem	1	
12	Plate, Spring Upper	1	
13	Spring	1	
14	Plate, Spring Lower	1	
15	Follower, Diaphragm	1	
3-6,12-15	<b>Spring Stem Kit</b>		202006
16	Gasket	1	
17	Diaphragm	1	
18	Seat	1	
19	Gasket	1	
16,17,19	<b>Diaphragm Kit</b>		200770
16-19	<b>Seat Kit, Pilot</b>		202001
20	Screw		
21	Cover	1	
22	Gasket	1	
20-22	<b>Cover Kit</b>		204701
23	Adapter	1	
24	Gasket	1	
22-24	<b>Adapter Kit</b>		204706
25	Piston Plug	1	
24,25	<b>Piston Plug Kit</b>		204760
26	Spring	1	301500
27	Stem	1	
30	Washer	1	
31	Packing, Stem	1	
32	Nut, Packing	1	
27,31,32	<b>Stem Kit</b>		201213
30-32	<b>Packing Kit</b>		202101
33	Gasket	1	
34	Cap, Seal	1	
33,34	<b>Cap Kit</b>		202111
39	<b>Disc Strainer Assembly</b>		See Note Below
41	Plunger	1	
43	O-Ring	1	
41-43	<b>Solenoid Repair Kit</b>		204707
46	Bolt		
49	Bolt		
50	<b>"O" Ring Kit</b>		202424
46,50	<b>Bolt / "O" Ring Kit</b>		201574
49,50	<b>Bolt / "O" Ring Kit</b>		201572

**NOTE:** Item 39 is available in various connection sizes and styles. Consult factory for part number.



**125mm (5") CK5 Parts Kits**

Item	Description	Qty.	Kit Number
1	Cap	1	
2	Gasket	1	
1, 2	<b>Cap Kit</b>		202110
3	Nut, Packing	1	
4	Packing, Stem	1	
5	Washer	1	
6	Stem	1	
12	Plate, Spring Upper	1	
13	Spring	1	
14	Plate, Spring Lower	1	
15	Follower, Diaphragm	1	
3-6, 12-15	<b>Spring Stem Kit</b>		202006
16	Gasket	1	
17	Diaphragm	1	
18	Seat	1	
19	Gasket	1	
16, 17, 19	<b>Diaphragm Kit</b>		200770
16-19	<b>Seat Kit, Pilot</b>		202001
23	Adapter	1	
24	Gasket	1	
23-24	<b>Adapter Kit</b>		204753
25	Piston Plug	1	
24, 25	<b>Piston Plug Kit</b>		204759
28	Spring		301511
27	Stem	1	
30	Washer	1	
31	Packing, Stem	1	
32	Nut, Packing	1	
27, 31, 32	<b>Stem Kit</b>		202363
30-32	<b>Packing Kit</b>		202101
33	Gasket	1	
34	Cap, Seal	1	
33, 34	<b>Cap Kit</b>		202111
35	Cover		
37	Gasket		
35, 37	<b>Bottom Cover</b>		200724
39	<b>Disc Strainer Assembly</b>		See Note Below

**NOTES:** Item 39 is available in various connection sizes and styles. Consult factory for part number.

For a parts breakdown of the remote S8F pilot solenoid, see page 35.

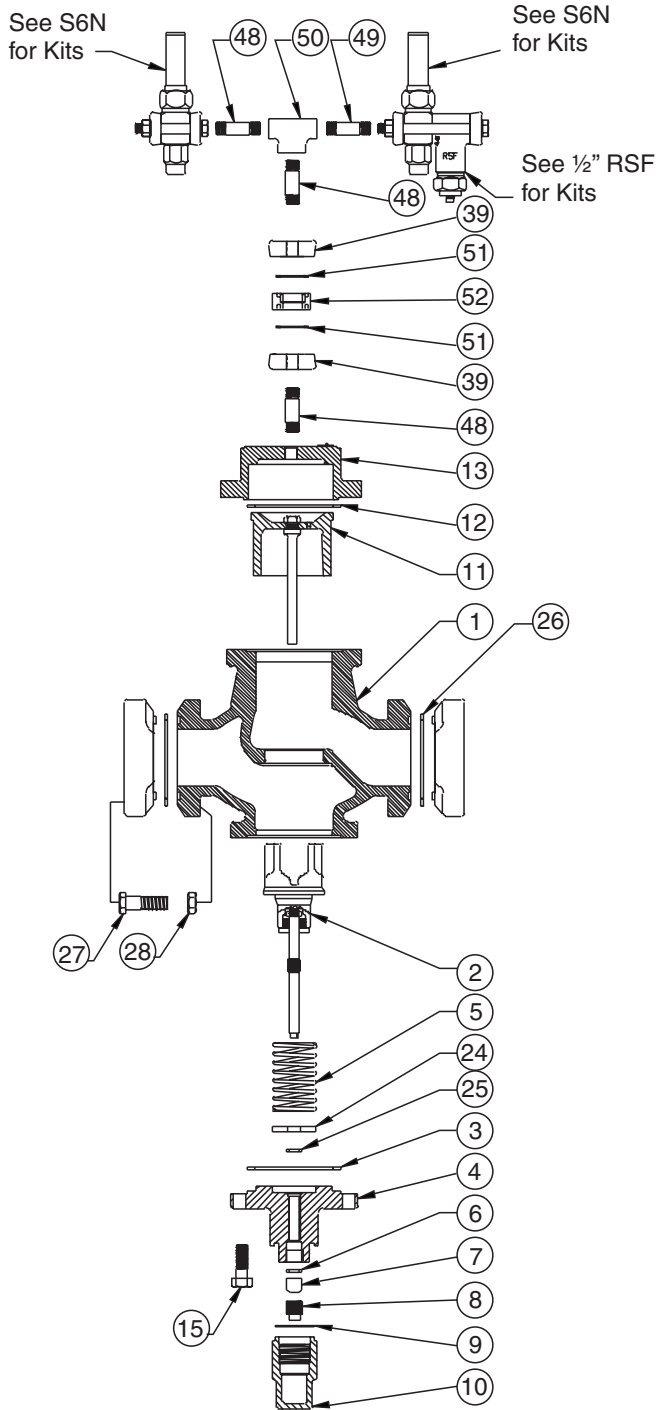
## Parts Kits Reference

### 150mm (6") CK5 Parts Kits

Item	Description	Qty.	Kit Number
1	Cap	1	
2	Gasket	1	
1, 2	<b>Cap Kit</b>		202110
3	Nut, Packing	1	
4	Packing, Stem	1	
5	Washer	1	
6	Stem	1	
12	Plate, Spring Upper	1	
13	Spring	1	
14	Plate, Spring Lower	1	
15	Follower, Diaphragm	1	
3-6, 12-15	<b>Spring Stem Kit</b>		202006
16	Gasket	1	
17	Diaphragm	1	
18	Seat	1	
19	Gasket	1	
16, 17, 19	<b>Diaphragm Kit</b>		200770
16-19	<b>Seat Kit, Pilot</b>		202001
23	Adapter	1	
24	Gasket	1	
23-24	<b>Adapter Kit</b>		204754
25	Piston Plug	1	
24, 25	<b>Piston Plug Kit</b>		204758
28	Spring		301534
27	Stem	1	
30	Washer	1	
31	Packing, Stem	1	
32	Nut, Packing	1	
27, 31, 32	<b>Stem Kit</b>		202364
30-32	<b>Packing Kit</b>		202101
33	Gasket	1	
34	Cap, Seal	1	
33, 34	<b>Cap Kit</b>		202111
35	Cover		
37	Gasket		
35, 37	<b>Bottom Cover</b>		200755
39	<b>Disc Strainer Assembly</b>		See Note Below

**NOTES:** Item 39 is available in various connection sizes and styles.  
Consult factory for part number.

For a parts breakdown of the remote S8F pilot solenoid,  
see page 35.



**50mm (2") S9A Parts Kits**

Item	Description	Qty.	Kit Number
2	Plug/Stem Asm.	1	
*	Spring Kit, Closing	1	
6	Washer, Flat	1	
7	Packing, Stem	1	
8	Nut, Packing	1	
2, 6-8	<b>Plug Kit, Main Valve</b>		202209
6-8	<b>Packing Kit, Stem</b>		202100
3	Gasket	1	
5	Spring, Comp	1	
24	Washer, Flat	1	
25	Wiper, Dirt	1	
3, 5, 24-25	<b>Spring Kit, Closing</b>		202306
9	Gasket	1	
10	Seal Cap	1	
9-10	<b>Cap Kit, Seal</b>		202110
11	Piston/Stem Asm.	1	
12	Gasket	1	
13	Cover, Top	1	
11-12	<b>Piston Kit, S9A</b>		201072
	<b>Piston Kit, 9A</b>		202126
12-13	<b>Cover Kit</b>		201150
	Plug Kit, Main Valve	1	
4	Cover, Bottom	1	
9	Gasket	1	
10	Seal Cap	1	
15	Bolt, Hex Head	6	
4, 9, 10, 15	<b>Bottom Asm. Kit</b>		202358
26	Gasket, Flange, Pkg.	12	202081
3, 9, 12, 26	<b>Gasket Kit</b>		202287
39	Flange 3/8" FPT	2	
48	Pipe Nipple 3/8" x 2"	1	302014
49	Orifice Asm.	1	200998
50	3/8" Pipe Tee	1	302073
51	Gasket	2	
52	Strainer, Disc	1	
53	Bolt	2	
54	Nut	2	
51, 52	<b>Strainer Kit, Disc</b>		200912
39, 51, 52	<b>Strainer, Disc with</b>		201665
53, 54	<b>3/8" FPT Flanges</b>		
<b>Packages</b>			
3	Gasket, Bottom Cap, Pkg.	6	202374
5	Spring Comp (Only)	1	301557
7	Stem Packing Pkg. (0.28" I.D.)	25	202478
14	Cover Bolt Pkg.	8	202541
15	Bottom Cap Bolt Pkg.	6	202251

**65mm (2½") S9A Parts Kits**

Item	Description	Oty.	Kit Number
2	Plug/Stem Asm.	1	
*	Spring Kit, Closing	1	
6	Washer, Flat	1	
7	Packing, Stem	1	
8	Nut, Packing	1	
2, 6-8	<b>Plug Kit, Main Valve</b>		202210
6-8	<b>Packing Kit, Stem</b>		202100
3	Gasket	1	
5	Spring, Comp	1	
24	Washer, Flat	1	
25	Wiper, Dirt	1	
3, 5, 24-25	<b>Spring Kit, Closing</b>		202307
9	Gasket	1	
10	Seal Cap	1	
9-10	<b>Cap Kit, Seal</b>		202110
11	Piston/Stem Asm.	1	
12	Gasket	1	
13	Cover, Top	1	
11-12	<b>Piston Kit, S9A</b>		201074
	<b>Piston Kit, 9A</b>		202127
12-13	<b>Cover Kit</b>		201163
	Plug Kit, Main Valve	1	
4	Cover, Bottom	1	
9	Gasket	1	
10	Seal Cap	1	
15	Bolt, Hex Head	6	
4,9,10,15	<b>Bottom Asm. Kit</b>		202360
26	Gasket, Flange, Pkg.	12	202082
3, 9, 12, 26	<b>Gasket Kit</b>		202288
39	Flange 3/8" FPT	2	
48	Pipe Nipple 3/8" x 2"	1	302014
49	Orifice Asm.	1	200999
50	3/8" Pipe Tee	1	302073
51	Gasket	2	
52	Strainer, Disc	1	
53	Bolt	2	
54	Nut	2	
51,52	<b>Strainer Kit, Disc</b>		200912
39,51,52	<b>Strainer, Disc with</b>		201665
53,54	<b>3/8" FPT Flanges</b>		

**Packages**

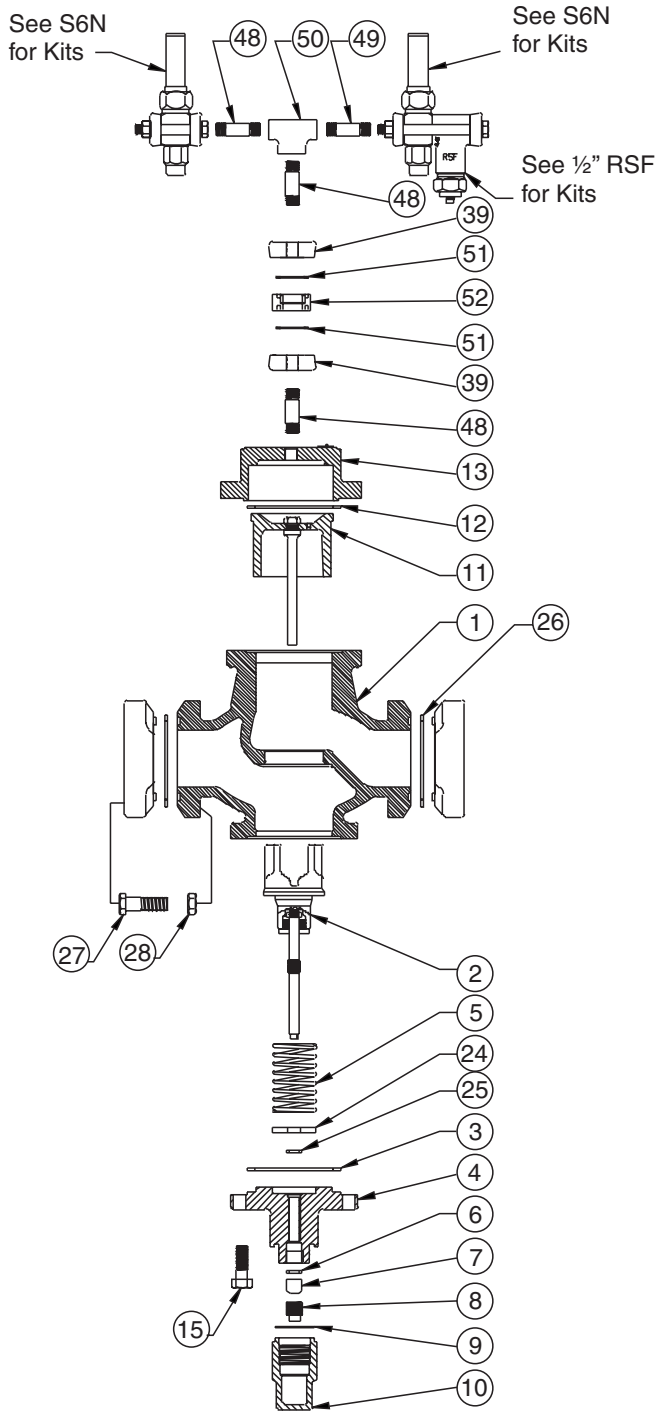
3	Gasket, Bottom Cap, Pkg.	6	202374
5	Spring Comp (Only)	1	301558
7	Stem Packing Pkg. (0.28" I.D.)	25	202478
14	Cover Bolt Pkg.	8	202541
15	Bottom Cap Bolt Pkg.	6	202251

**75mm (3") S9A Parts Kits**

Item	Description	Oty.	Kit Number
2	Plug/Stem Asm.	1	
*	Spring Kit, Closing	1	
6	Washer, Flat	1	
7	Packing, Stem	1	
8	Nut, Packing	1	
2, 6-8	<b>Plug Kit, Main Valve</b>		202211
6-8	<b>Packing Kit, Stem</b>		202101
3	Gasket	1	
5	Spring, Comp	1	
24	Washer, Flat	1	
25	Wiper, Dirt	1	
3, 5, 24-25	<b>Spring Kit, Closing</b>		202308
9	Gasket	1	
10	Seal Cap	1	
9-10	<b>Cap Kit, Seal</b>		202111
11	Piston/Stem Asm.	1	
12	Gasket	1	
13	Cover, Top	1	
11-12	<b>Piston Kit, S9A</b>		201076
	<b>Piston Kit, 9A</b>		202128
12-13	<b>Cover Kit</b>		201144
	Plug Kit, Main Valve	1	
4	Cover, Bottom	1	
9	Gasket	1	
10	Seal Cap	1	
15	Bolt, Hex Head	6	
4,9,10,15	<b>Bottom Asm. Kit</b>		202360
26	Gasket, Flange, Pkg.	12	202083
3, 9, 12, 26	<b>Gasket Kit</b>		202289
39	Flange 3/8" FPT	2	
48	Pipe Nipple 3/8" x 2"	1	302014
49	Orifice Asm.	1	200999
50	3/8" Pipe Tee	1	302073
51	Gasket	2	
52	Strainer, Disc	1	
53	Bolt	2	
54	Nut	2	
51,52	<b>Strainer Kit, Disc</b>		200912
39,51,52	<b>Strainer, Disc with</b>		201665
53,54	<b>3/8" FPT Flanges</b>		

**Packages**

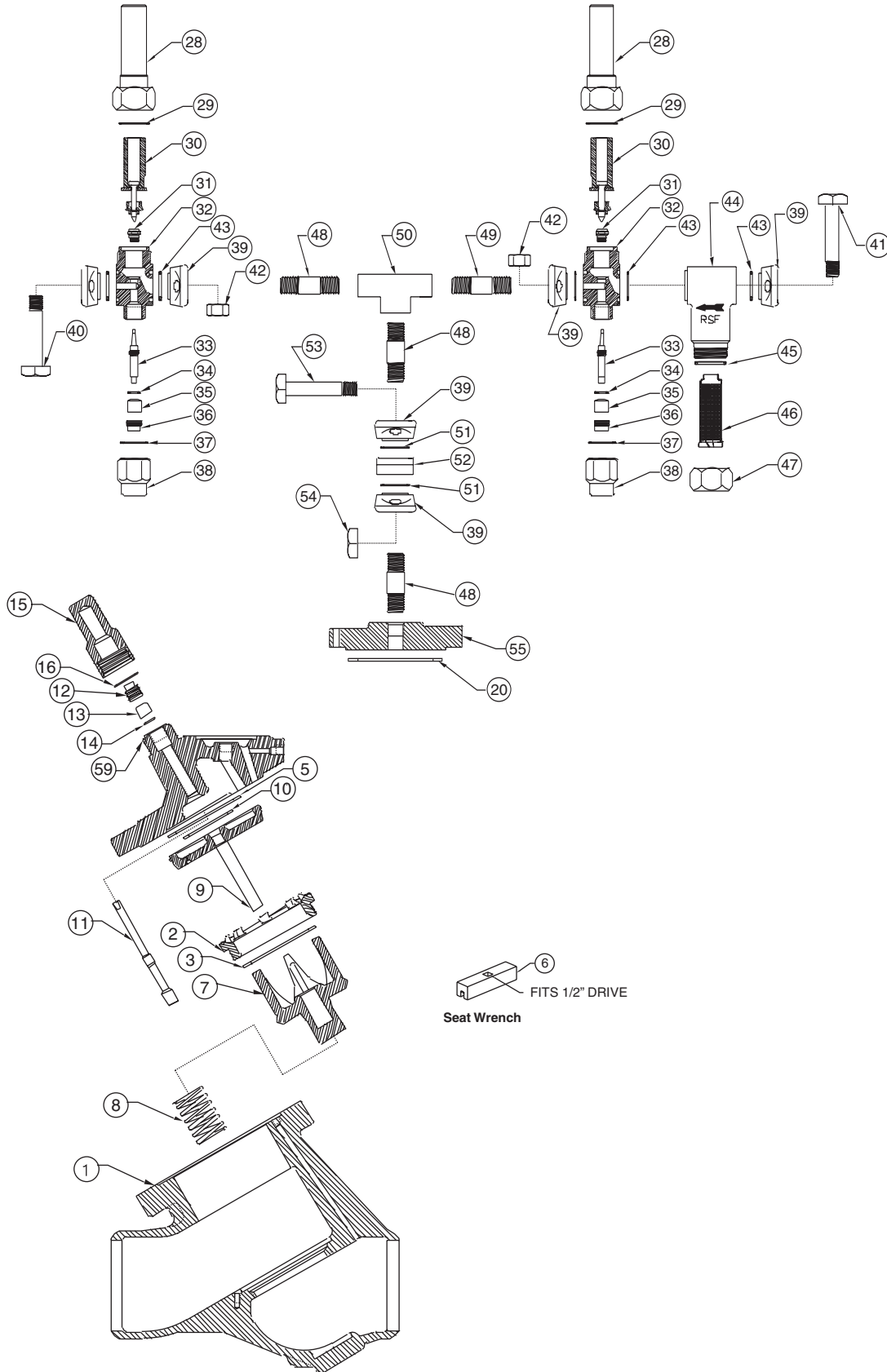
3	Gasket, Bottom Cap, Pkg.	6	202382
5	Spring Comp (Only)	1	301559
7	Stem Packing Pkg. (0.28" I.D.)	25	202479
14	Cover Bolt Pkg.	6	202546
15	Bottom Cap Bolt Pkg.	6	202252



**100mm (4") S9A Parts Kits**

Item No.	Description & Contents	Oty.	Kit Number
2	Plug/Stem Asm.	1	
*	Spring Kit, Closing	1	
6	Washer, Flat	1	
7	Packing, Stem	1	
8	Nut, Packing	1	
2, 6-8	<b>Plug Kit, Main Valve</b>		202212
6-8	<b>Packing Kit, Stem</b>		202101
3	Gasket	1	
5	Spring, Comp	1	
24	Washer, Flat	1	
25	Wiper, Dirt	1	
3, 5, 24-25	<b>Spring Kit, Closing</b>		202309
9	Gasket	1	
10	Seal Cap	1	
9-10	<b>Cap Kit, Seal</b>		202111
11	Piston/Stem Asm.	1	
12	Gasket	1	
13	Cover, Top	1	
11-12	<b>Piston Kit, S9A</b>		202276
	<b>Piston Kit, 9A</b>		202129
12-13	<b>Cover Kit</b>		201135
	Plug Kit, Main Valve	1	
4	Cover, Bottom	1	
9	Gasket	1	
10	Seal Cap	1	
15	Bolt, Hex Head	6	
4, 9, 10, 15	<b>Bottom Asm. Kit</b>		202362
26	Gasket, Flange, Pkg.	12	202084
3, 9, 12, 26	<b>Gasket Kit</b>		202290
39	Flange 3/8" FPT	2	
48	Pipe Nipple 3/8" x 2"	1	302014
49	Orifice Asm.	1	200999
50	3/8" Pipe Tee	1	302073
51	Gasket	2	
52	Strainer, Disc	1	
53	Bolt	2	
54	Nut	2	
51, 52	<b>Strainer Kit, Disc</b>		200912
39, 51, 52	<b>Strainer, Disc with</b>		201665
53, 54	<b>3/8" FPT Flanges</b>		
<b>Packages</b>			
3	Gasket, Bottom Cap, Pkg.	6	202383
5	Spring Comp (Only)	1	301500
7	Stem Packing Pkg. (0.28" I.D.)	25	202479
14	Cover Bolt Pkg.	6	202547
15	Bottom Cap Bolt Pkg.	6	202252

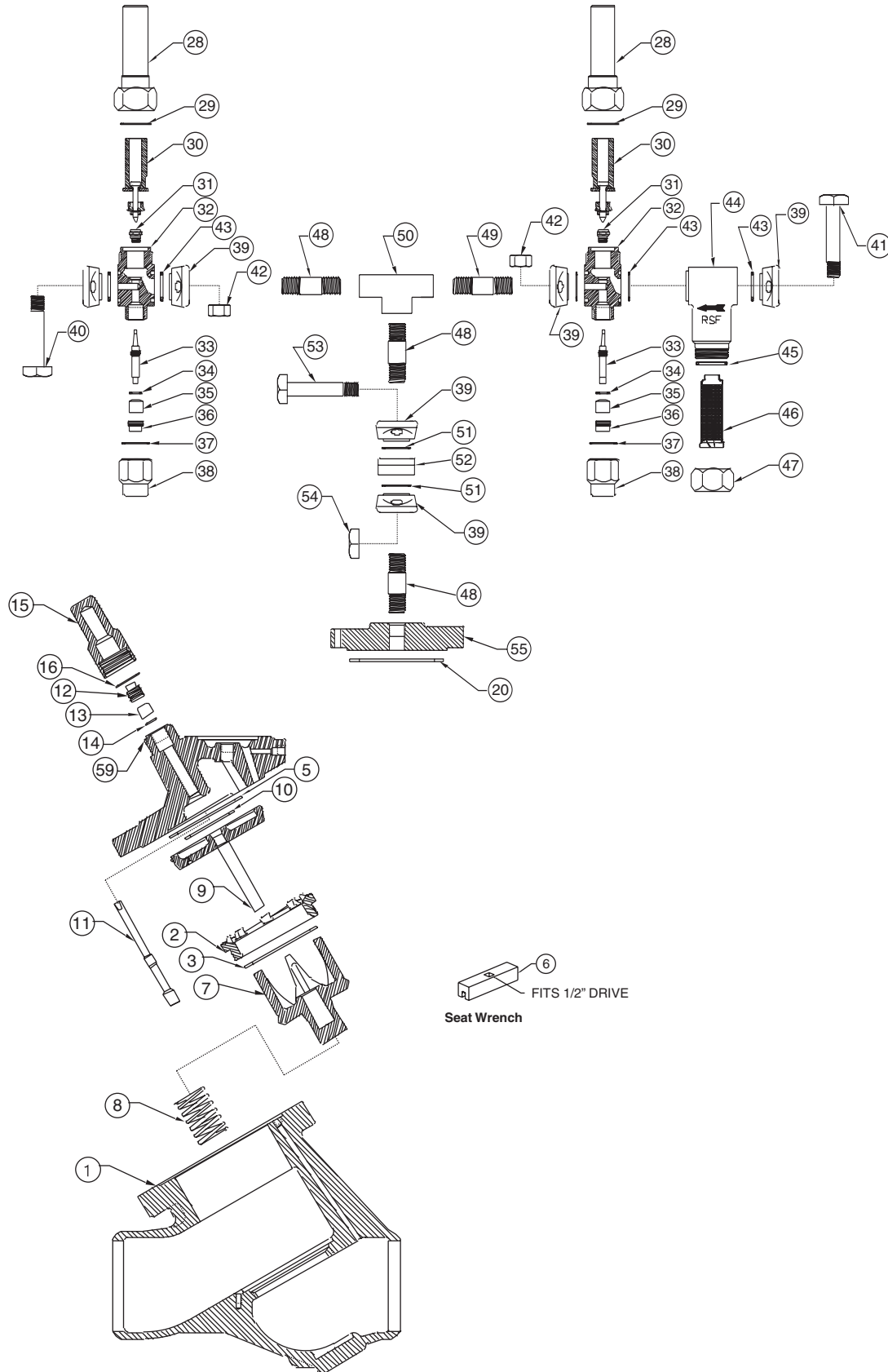




**125mm (5") S9W Parts Kits**

Item	Description	Qty.	Kit Number
1	Body, Valve		N/A
2	Seat, Valve	1	
3	O-Ring, Seat	1	
4	Screw, Retaining	1	
5	Gasket (Adapter to Body)	1	
6	Wrench, Seat	1	
2-6	<b>Seat Kit</b>		201534
7	Plug, Modulating	1	
8	Spring, Compression	1	
2-8	<b>Plug Kit</b>		201691
9	Piston Stem Assembly	1	
10	Ring, Seal	1	
5, 9a, 10	<b>Piston Kit</b>		201543
11	Stem, Manual Opening	1	
12	Nut, Packing	1	
13	Packing, Stem	1	
14	Washer, Packing	1	
5, 11-14	<b>Stem Kit, Opening</b>		201546
15	Seal Cap	1	
16	Gasket	1	
15-16	<b>Cap Kit, Seal</b>		201549
17	Bolt, Hex Head	6	
18	Nuts	—	
19	Studs	2	
5, 17-19	<b>Bolt Kit</b>		201552
20	Gasket (Bonnet)	1	
3, 5, 10, 16-20	<b>Gasket Kit</b>		201558
22	Knob	2	
23	O-Ring	2	
22-23	<b>Knob Kit</b>		205237
24	Coil Assembly	2	C.F.
28	Tube Assembly	2	
29	Gasket	2	
28-29	<b>Tube Kit</b>		201036
30	Plunger Needle Assembly	2	
31	Seat Assembly	2	
29-31	<b>Plunger Seat Kit</b>		201630

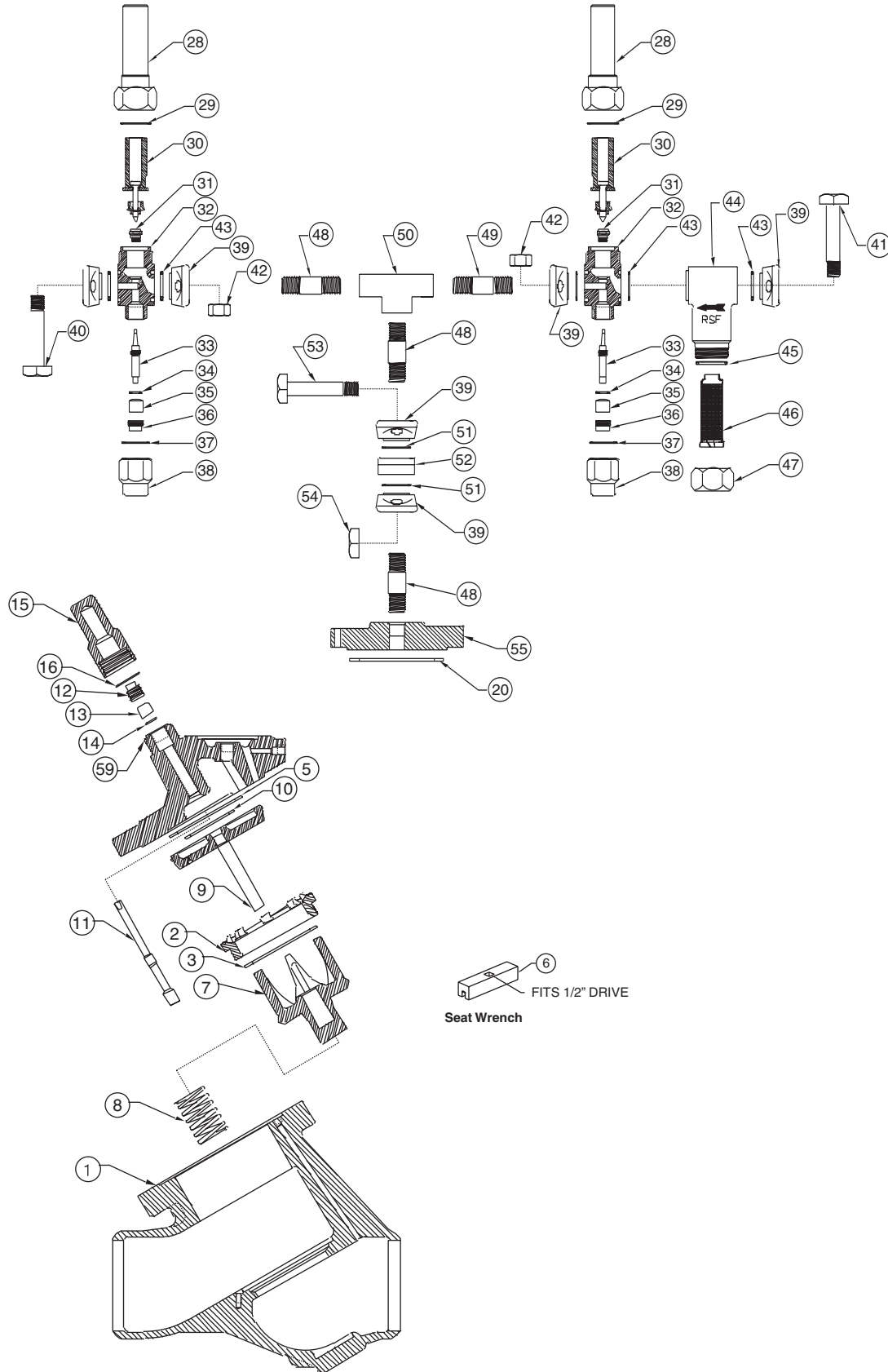
Item	Description	Qty.	Kit Number
32	Body, S6N	2	N/A
33	Stem, Manual Opening	2	
34	Washer	2	
35	Packing, Stem	2	
36	Nut, Packing	2	
33-36	<b>Stem Kit, Opening</b>		201631
37	Gasket	2	
38	Seal Cap	2	
37-38	<b>Cap Kit</b>		201145
39	Flange Kit (2 Flanges only)		200001
40	Bolt	2	
41	Bolt	2	
42	Nut	4	
43	Gasket	5	
40-43	<b>Bolt Kit</b>		
	S6N without Strainer		201290
	S6N with Strainer		201287
29,37,43	Gasket Kit		201632
28-38,43	Pilot Valve Assembly		100990
44	Body, Strainer		N/A
45	Gasket	1	
46	Basket	1	
47	Cap	1	
45-47	<b>Basket, Kit</b>		200136
48	Pipe Nipple	3	302014
49	Pipe Nipple with Orifice	1	200999
50	Tee	1	302083
51	Gasket	2	
52	Screen Assembly	1	
51-52	<b>Screen Assembly Kit</b>		200912
53	Bolt	2	
54	Nut	2	
53-54	<b>Bolt Kit</b>		201672
55	Cover Top		202545
56	O-Ring	1	
57	Insert Seal	1	
20, 56-57	Insert Seal Kit		202333
58	Plug, Pipe	1	302011
5-13-20 58-59	<b>Adapter Cover</b>		202861



**150mm (6") S9W Parts Kits**

Item	Description	Qty.	Kit Number
1	Body, Valve		N/A
2	Seat, Valve	1	
3	O-Ring, Seat	1	
4	Screw, Retaining	1	
5	Gasket (Adapter to Body)	1	
6	Wrench, Seat	1	
2-6	<b>Seat Kit</b>		201535
7	Plug, Modulating	1	
8	Spring, Compression	1	
2-8	<b>Plug Kit</b>		201692
9	Piston Stem Assembly	1	
10	Ring, Seal	1	
5, 9a, 10	<b>Piston Kit</b>		201544
11	Stem, Manual Opening	1	
12	Nut, Packing	1	
13	Packing, Stem	1	
14	Washer, Packing	1	
5, 11-14	<b>Stem Kit, Opening</b>		201547
15	Seal Cap	1	
16	Gasket	1	
15-16	<b>Cap Kit, Seal</b>		201550
17	Bolt, Hex Head	6	
18	Nuts	—	
19	Studs	2	
5, 17-19	<b>Bolt Kit</b>		201553
20	Gasket (Bonnet)	1	
3, 5, 10, 16-20	<b>Gasket Kit</b>		201559
22	Knob	2	
23	O-Ring	2	
22-23	<b>Knob Kit</b>		205237
24	Coil Assembly	2	C.F.
28	Tube Assembly	2	
29	Gasket	2	
28-29	<b>Tube Kit</b>		201036
30	Plunger Needle Assembly	2	
31	Seat Assembly	2	
29-31	<b>Plunger Seat Kit</b>		201630

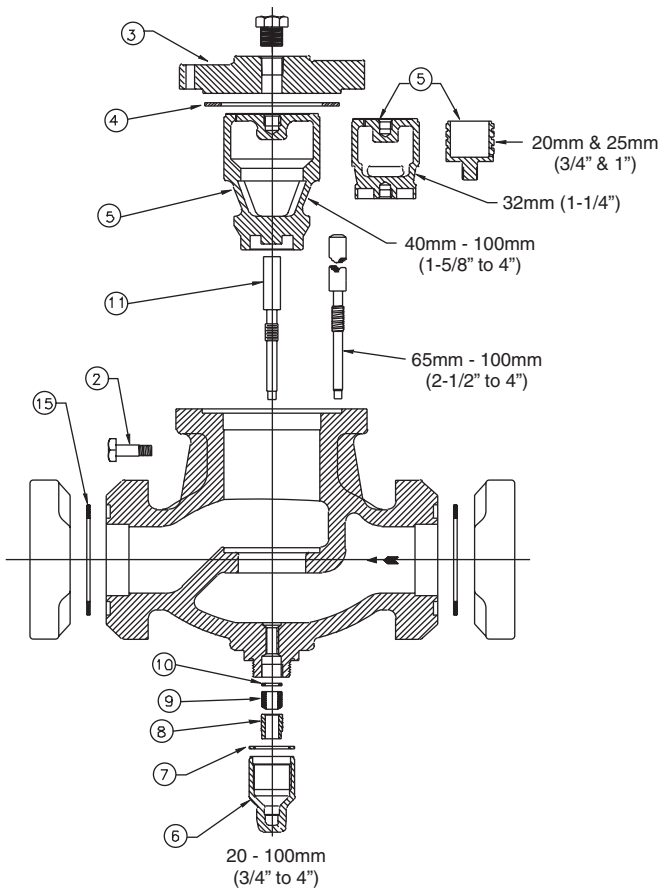
Item	Description	Qty.	Kit Number
32	Body, S6N	2	N/A
33	Stem, Manual Opening	2	
34	Washer	2	
35	Packing, Stem	2	
36	Nut, Packing	2	
33-36	<b>Stem Kit, Opening</b>		201631
37	Gasket	2	
38	Seal Cap	2	
37-38	<b>Cap Kit</b>		201145
39	Flange Kit (2 Flanges only)		200001
40	Bolt	2	
41	Bolt	2	
42	Nut	4	
43	Gasket	5	
40-43	<b>Bolt Kit</b>		
	S6N without Strainer		201290
	S6N with Strainer		201287
29,37,43	Gasket Kit		201632
28-38,43	Pilot Valve Assembly		100990
44	Body, Strainer		N/A
45	Gasket	1	
46	Basket	1	
47	Cap	1	
45-47	<b>Basket, Kit</b>		200136
48	Pipe Nipple	3	302014
49	Pipe Nipple with Orifice	1	200999
50	Tee	1	302083
51	Gasket	2	
52	Screen Assembly	1	
51-52	<b>Screen Assembly Kit</b>		200912
53	Bolt	2	
54	Nut	2	
53-54	<b>Bolt Kit</b>		201672
55	Cover Top		202545
56	O-Ring	1	
57	Insert Seal	1	
20, 56-57	Insert Seal Kit		202333
58	Plug, Pipe	1	302011
5-13-20 58-59	<b>Adapter Cover</b>		202484



**200mm (8") S9W Parts Kits**

Item	Description	Qty.	Kit Number
1	Body, Valve		N/A
2	Seat, Valve	1	
3	O-Ring, Seat	1	
4	Screw, Retaining	1	
5	Gasket (Adapter to Body)	1	
6	Wrench, Seat	1	
2-6	<b>Seat Kit</b>		201536
7	Plug, Modulating	1	
8	Spring, Compression	1	
2-8	<b>Plug Kit</b>		201693
9	Piston Stem Assembly	1	
10	Ring, Seal	1	
5, 9a, 10	<b>Piston Kit</b>		201545
11	Stem, Manual Opening	1	
12	Nut, Packing	1	
13	Packing, Stem	1	
14	Washer, Packing	1	
5, 11-14	<b>Stem Kit, Opening</b>		201548
15	Seal Cap	1	
16	Gasket	1	
15-16	<b>Cap Kit, Seal</b>		201551
17	Bolt, Hex Head	6	
18	Nuts	—	
19	Studs	2	
5, 17-19	<b>Bolt Kit</b>		201554
20	Gasket (Bonnet)	1	
3, 5, 10, 16-20	<b>Gasket Kit</b>		201560
22	Knob	2	
23	O-Ring	2	
22-23	<b>Knob Kit</b>		205237
24	Coil Assembly	2	C.F.
28	Tube Assembly	2	
29	Gasket	2	
28-29	<b>Tube Kit</b>		201036
30	Plunger Needle Assembly	2	
31	Seat Assembly	2	
29-31	<b>Plunger Seat Kit</b>		201630

Item	Description	Qty.	Kit Number
32	Body, S6N	2	N/A
33	Stem, Manual Opening	2	
34	Washer	2	
35	Packing, Stem	2	
36	Nut, Packing	2	
33-36	<b>Stem Kit, Opening</b>		201631
37	Gasket	2	
38	Seal Cap	2	
37-38	<b>Cap Kit</b>		201145
39	Flange Kit (2 Flanges only)		200001
40	Bolt	2	
41	Bolt	2	
42	Nut	4	
43	Gasket	5	
40-43	<b>Bolt Kit</b>		
	S6N without Strainer		201290
	S6N with Strainer		201287
29,37,43	Gasket Kit		201632
28-38,43	Pilot Valve Assembly		100990
44	Body, Strainer		N/A
45	Gasket	1	
46	Basket	1	
47	Cap	1	
45-47	<b>Basket, Kit</b>		200136
48	Pipe Nipple	3	302014
49	Pipe Nipple with Orifice	1	200999
50	Tee	1	302083
51	Gasket	2	
52	Screen Assembly	1	
51-52	<b>Screen Assembly Kit</b>		200912
53	Bolt	2	
54	Nut	2	
53-54	<b>Bolt Kit</b>		201672
55	Cover Top		202545
56	O-Ring	1	
57	Insert Seal	1	
20, 56-57	Insert Seal Kit		202333
58	Plug, Pipe	1	302011
5-13-20 58-59	<b>Adapter Cover</b>		203099



**20mm (3/4") CK1 Parts Kits**

Item	Description	Qty.	Kit Number
3	Top Cover	1	
4	Cover Gasket	1	
3, 4	<b>Cover Kit</b>		201225
5	Piston Plug Asm.	1	
4, 5	<b>Piston Plug Kit</b>		201198
6	Seal Cap	1	
7	Gasket	1	
6, 7	<b>Seal Cap Kit</b>		202110
8	Packing Nut	1	
9	Stem Packing	1	
10	Flat Washer	1	
8, 9, 10	<b>Packing Kit</b>		202100
11	Manual Opening Stem	1	
9, 10, 11	<b>Opening Stem Kit</b>		201142
15	Flange Gasket Pkg.	12	202079

**25mm (1") CK1 Parts Kits**

Item	Description	Qty.	Kit Number
3	Top Cover	1	
4	Cover Gasket	1	
3, 4	<b>Cover Kit</b>		201225
5	Piston Plug Asm.	1	
4, 5	<b>Piston Plug Kit</b>		201196
6	Seal Cap	1	
7	Gasket	1	
6, 7	<b>Seal Cap Kit</b>		202110
8	Packing Nut	1	
9	Stem Packing	1	
10	Flat Washer	1	
8, 9, 10	<b>Packing Kit</b>		202100
11	Manual Opening Stem	1	
9, 10, 11	<b>Opening Stem Kit</b>		201142
15	Flange Gasket Pkg.	12	202079

**32mm (1 1/4") CK1 Parts Kits**

Item	Description	Qty.	Kit Number
3	Top Cover	1	
4	Cover Gasket	1	
3, 4	<b>Cover Kit</b>		200669
5	Piston Plug Asm.	1	
4, 5	<b>Piston Plug Kit</b>		201200
6	Seal Cap	1	
7	Gasket	1	
6, 7	<b>Seal Cap Kit</b>		202110
8	Packing Nut	1	
9	Stem Packing	1	
10	Flat Washer	1	
8, 9, 10	<b>Packing Kit</b>		202100
11	Manual Opening Stem	1	
9, 10, 11	<b>Opening Stem Kit</b>		201125
2	Bolt Pkg., Cover	8	202541
15	Flange Gasket Pkg.	12	202080

**40mm (1<sup>5</sup>/<sub>8</sub>") CK1 Parts Kits**

Item	Description	Qty.	Kit Number
3	Top Cover	1	
4	Cover Gasket	1	
3, 4	<b>Cover Kit</b>		200673
5	Piston Plug Asm.	1	
4, 5	<b>Piston Plug Kit</b>		201140
6	Seal Cap	1	
7	Gasket	1	
6, 7	<b>Seal Cap Kit</b>		202110
8	Packing Nut	1	
9	Stem Packing	1	
10	Flat Washer	1	
8, 9, 10	<b>Packing Kit</b>		202100
11	Manual Opening Stem	1	
9, 10, 11	<b>Opening Stem Kit</b>		201133
2	Bolt Pkg., Cover	8	202540
15	Flange Gasket Pkg.	12	202081

**50mm (2") CK1 Parts Kits**

Item	Description	Qty.	Kit Number
3	Top Cover	1	
4	Cover Gasket	1	
3, 4	<b>Cover Kit</b>		200673
5	Piston Plug Asm.	1	
4, 5	<b>Piston Plug Kit</b>		201139
6	Seal Cap	1	
7	Gasket	1	
6, 7	<b>Seal Cap Kit</b>		202110
8	Packing Nut	1	
9	Stem Packing	1	
10	Flat Washer	1	
8, 9, 10	<b>Packing Kit</b>		202100
11	Manual Opening Stem	1	
9, 10, 11	<b>Opening Stem Kit</b>		201133
2	Bolt Pkg., Cover	8	202540
15	Flange Gasket Pkg.	12	202081

**65mm (2<sup>1</sup>/<sub>2</sub>") CK1 Parts Kits**

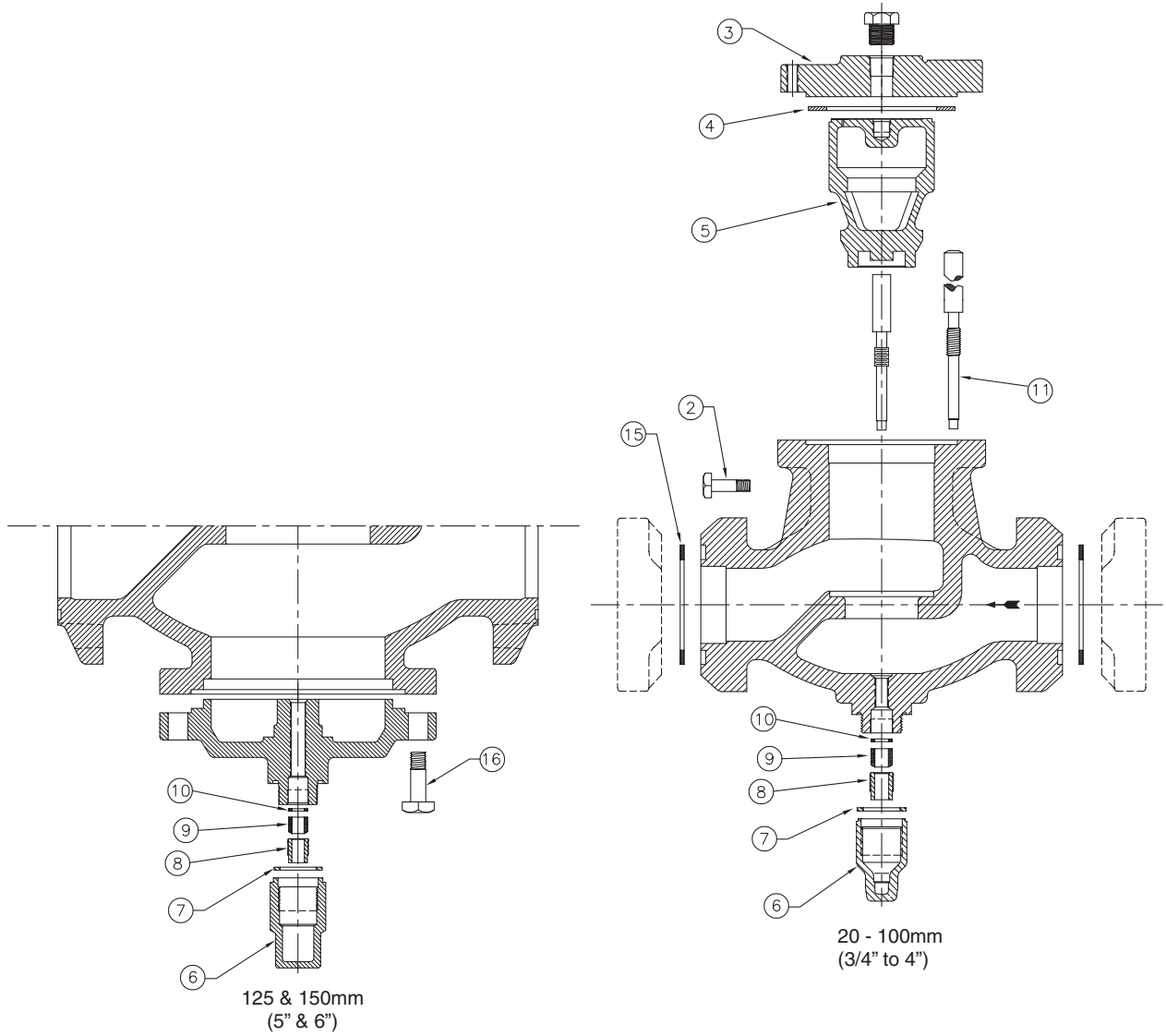
Item	Description	Qty.	Kit Number
3	Top Cover	1	
4	Cover Gasket	1	
3, 4	<b>Cover Kit</b>		200690
5	Piston Plug Asm.	1	
4, 5	<b>Piston Plug Kit</b>		201117
6	Seal Cap	1	
7	Gasket	1	
6, 7	<b>Seal Cap Kit</b>		202144
8	Packing Nut	1	
9	Stem Packing	1	
10	Flat Washer	1	
8, 9, 10	<b>Packing Kit</b>		202100
11	Manual Opening Stem	1	
9, 10, 11	<b>Opening Stem Kit</b>		201118
2	Bolt Pkg., Cover	8	202540
15	Flange Gasket Pkg.	12	202082

**75mm (3") CK1 Parts Kits**

Item	Description	Qty.	Kit Number
3	Top Cover	1	
4	Cover Gasket	1	
3, 4	<b>Cover Kit</b>		200676
5	Piston Plug Asm.	1	
4, 5	<b>Piston Plug Kit</b>		201121
6	Seal Cap	1	
7	Gasket	1	
6, 7	<b>Seal Cap Kit</b>		202111
8	Packing Nut	1	
9	Stem Packing	1	
10	Flat Washer	1	
8, 9, 10	<b>Packing Kit</b>		202101
11	Manual Opening Stem	1	
9, 10, 11	<b>Opening Stem Kit</b>		201216
2	Bolt Pkg., Cover	6	202252
15	Flange Gasket Pkg.	12	202083

**100mm (4") CK1 Parts Kits**

Item	Description	Qty.	Kit Number
3	Top Cover	1	
4	Cover Gasket	1	
3, 4	<b>Cover Kit</b>		200677
5	Piston Plug Asm.	1	
4, 5	<b>Piston Plug Kit</b>		201226
6	Seal Cap	1	
7	Gasket	1	
6, 7	<b>Seal Cap Kit</b>		202111
8	Packing Nut	1	
9	Stem Packing	1	
10	Flat Washer	1	
8, 9, 10	<b>Packing Kit</b>		202101
11	Manual Opening Stem	1	
9, 10, 11	<b>Opening Stem Kit</b>		201213
2	Bolt Pkg., Cover	6	202252
15	Flange Gasket Pkg.	12	202084



**125mm (5") CK1 Parts Kits**

Item	Description	Qty.	Kit Number
3	Top Cover	1	
4	Cover Gasket	1	
3, 4	<b>Cover Kit</b>		200678
5	Piston Plug Asm.	1	
4, 5	<b>Piston Plug Kit</b>		201227
6	Seal Cap	1	
7	Gasket	1	
6, 7	<b>Seal Cap Kit</b>		202111
8	Packing Nut	1	
9	Stem Packing	1	
10	Flat Washer	1	
8, 9, 10	<b>Packing Kit</b>		202101
11	Manual Opening Stem	1	
9, 10, 11	<b>Opening Stem Kit</b>		202363
17	Bottom Cap	1	
18	Bottom Gasket	1	
17-18	<b>Bottom Cap Kit</b>		200724

**Packages**

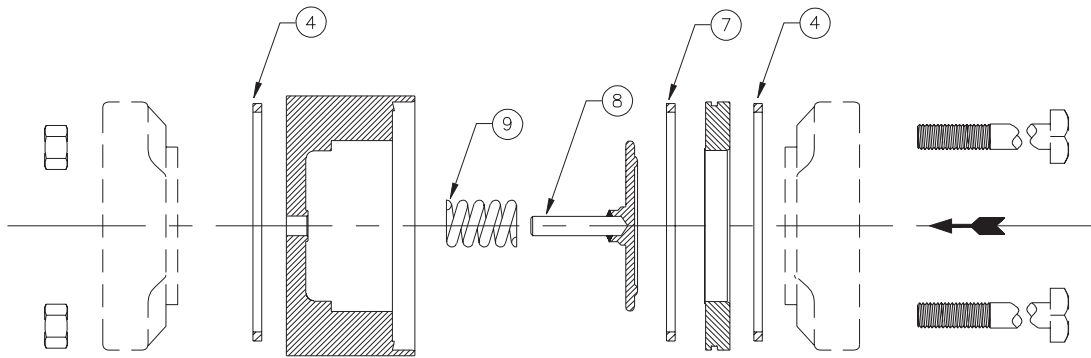
2	Bolt Pkg., Cover	8	202538
15	Flange Gasket Pkg.	2	202085
16	Bolt Pkg., Bottom Cap	6	202250

**150mm (6") CK1 Parts Kits**

Item	Description	Qty.	Kit Number
3	Top Cover	1	
4	Cover Gasket	1	
3, 4	<b>Cover Kit</b>		200681
5	Piston Plug Asm.	1	
4, 5	<b>Piston Plug Kit</b>		202491
6	Seal Cap	1	
7	Gasket	1	
6, 7	<b>Seal Cap Kit</b>		202111
8	Packing Nut	1	
9	Stem Packing	1	
10	Flat Washer	1	
8, 9, 10	<b>Packing Kit</b>		202101
11	Manual Opening Stem	1	
9, 10, 11	<b>Opening Stem Kit</b>		202364
17	Bottom Cap	1	
18	Bottom Gasket	1	
17-18	<b>Bottom Cap Kit</b>		200755

**Packages**

2	Bolt Pkg., Cover	10	202539
15	Flange Gasket Pkg.	2	202086
16	Bolt Pkg., Bottom Cap	10	202539



Type CK4 – 2" thru 4"

**NOTE:** Repair Kits are not available for 13-32mm (1/2" to 1 1/4") sizes.

**50mm (2") CK4 Parts Kits**

Item	Description	Qty.	Kit Number
4	Flange Gasket	2	
6	Valve Seat	1	
7	O-Ring	1	
8	Disc Assembly	1	
9	Comp. Spring	1	
4,6,7,8,9	<b>Repair Kit</b>		202089
4	Flange Gasket Pkg.	12	202081

**75mm (3") CK4 Parts Kits**

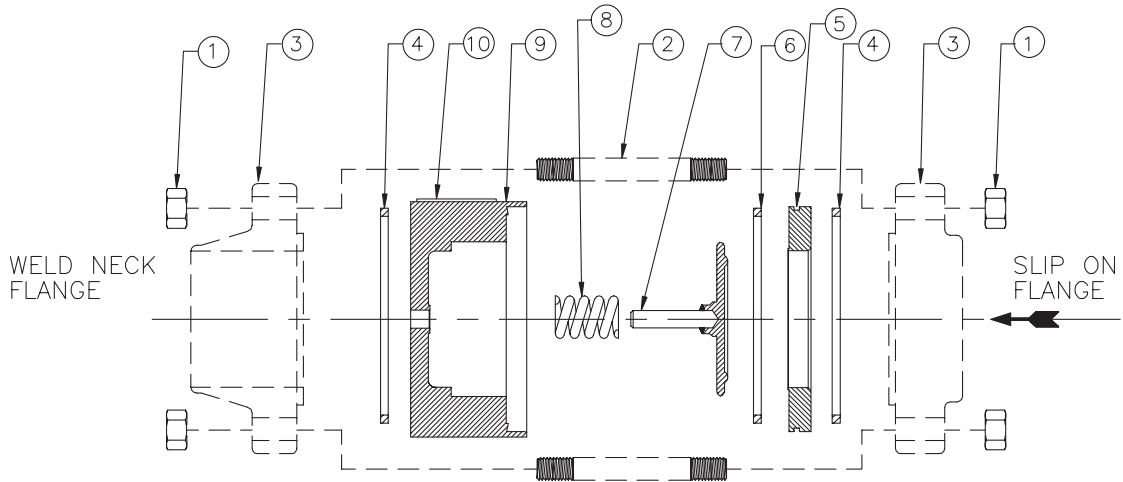
Item	Description	Qty.	Kit Number
4	Flange Gasket	2	
6	Valve Seat	1	
7	O-Ring	1	
8	Disc Assembly	1	
9	Comp. Spring	1	
4,6,7,8,9	<b>Repair Kit</b>		202091
4	Flange Gasket Pkg.	12	202083

**65mm (2 1/2") CK4 Parts Kits**

Item	Description	Qty.	Kit Number
4	Flange Gasket	2	
6	Valve Seat	1	
7	O-Ring	1	
8	Disc Assembly	1	
9	Comp. Spring	1	
4,6,7,8,9	<b>Repair Kit</b>		202090
4	Flange Gasket Pkg.	12	202082

**100mm (4") CK4 Parts Kits**

Item	Description	Qty.	Kit Number
4	Flange Gasket	2	
6	Valve Seat	1	
7	O-Ring	1	
8	Disc Assembly	1	
9	Comp. Spring	1	
4,6,7,8,9	<b>Repair Kit</b>		202092
4	Flange Gasket Pkg.	12	202084



**125mm (5") CK4 Parts Kits**

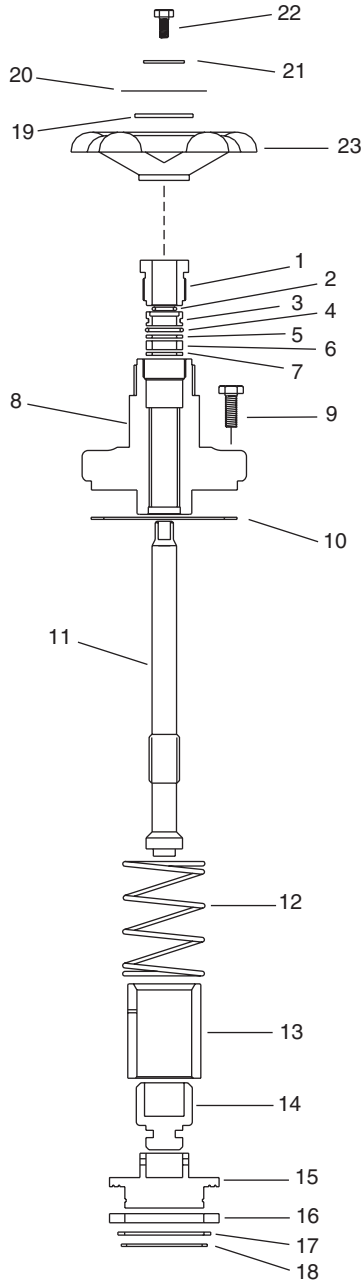
Item	Description	Qty.	Kit Number
5	Valve Seat	1	
6	O-Ring	1	
7	Disc Assembly	1	
8	Comp. Spring	1	
5,6,7,8	<b>Repair Kit</b>		202093
4	Flange Gasket Pkg.	2	202206

**150mm (6") CK4 Parts Kits**

Item	Description	Qty.	Kit Number
5	Valve Seat	1	
6	O-Ring	1	
7	Disc Assembly	1	
8	Comp. Spring	1	
5,6,7,8	<b>Repair Kit</b>		202094
4	Flange Gasket Pkg.	2	202207

**200mm (8") CK4 Parts Kits**

Item	Description	Qty.	Kit Number
5	Valve Seat	1	
6	O-Ring	1	
7	Disc Assembly	1	
8	Comp. Spring	1	
5,6,7,8	<b>Repair Kit</b>		202095
4	Flange Gasket Pkg.	2	202208



**3/4" & 1" Parts Kits**

Item	Description	Qty.	Kit Number
1	Packing Nut	1	
2	O-Ring	1	
3	O-Ring Carrier	1	
4	O-Ring	1	
5	Washer	1	
6	Packing	1	
7	Washer	1	
1-7	<b>Packing Kit</b>		204471
8	Bonnet	1	
9	Bonnet Bolt	2	
10	Gasket	1	
11	Stem	1	
12	Spring	1	
13	Cylinder	1	
14	Stem Stop	1	
15	Disc Carrier	1	
16	Seat Disc	1	
17	Retaining Washer	1	
18	Seat Disc Retainer	1	
15-18	<b>Disc Carrier Assembly</b>		206836
1-18	<b>Bonnet Assembly</b>		206830
19	Washer	1	
20	Nameplate	1	
21	Lockwasher	1	
22	Screw, Cap	1	
23	Handwheel	1	
19-23	<b>Handwheel Kit</b>		204268
	Stainless Steel		205706
	<b>Seal Cap Kit (Not Shown)</b>		204273

**Packages**

10	Gasket, Bonnet	6	204282
	Gasket, Seal Cap (Not Shown)	6	204292

**1 1/4" & 1 1/2" Parts Kits**

Item	Description	Qty.	Kit Number
1	Packing Nut	1	
2	O-Ring	1	
3	O-Ring Carrier	1	
4	O-Ring	1	
5	Washer	1	
6	Packing	1	
7	Washer	1	
1-7	<b>Packing Kit</b>		204472
8	Bonnet	1	
9	Bonnet Bolt	2	
10	Gasket	1	
11	Strem	1	
12	Spring	1	
13	Cylinder	1	
14	Stem Stop	1	
15	Disc Carrier	1	
16	Seat Disc	1	
17	Retaining Washer	1	
18	Seat Disc Retainer	1	
15-18	<b>Disc Carrier Assembly</b>		206837
16-18	<b>Disc Kit</b>		204322
1-18	<b>Bonnet Assembly</b>		206831
19	Washer	1	
20	Nameplate	1	
21	Locikwasher	1	
22	Screw, Cap	1	
23	Handwheel	1	
19-23	<b>Handwheel Kit</b>		204269
	Stainless Steel		205707
	<b>Seal Cap Kit (Not Shown)</b>		204274

**Packages**

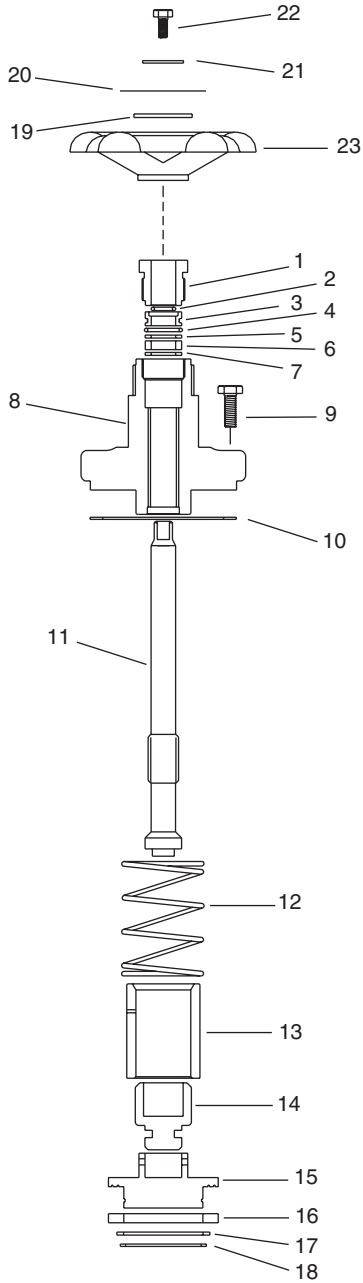
10	Gasket, Bonnet	6	204283
	Gasket, Seal Cap (Not Shown)	6	204292

**2" Parts Kits**

Item	Description	Qty.	Kit Number
1	Packing Nut	1	
2	O-Ring	1	
3	O-Ring Carrier	1	
4	O-Ring	1	
5	Washer	1	
6	Packing	1	
7	Washer	1	
1-7	<b>Packing Kit</b>		204472
8	Bonnet	1	
9	Bonnet Bolt	2	
10	Gasket	1	
11	Strem	1	
12	Spring	1	
13	Cylinder	1	
14	Stem Stop	1	
15	Disc Carrier	1	
16	Seat Disc	1	
17	Retaining Washer	1	
18	Seat Disc Retainer	1	
16-18	<b>Disc Kit</b>		204323
1-18	<b>Bonnet Assembly</b>		206832
19	Washer	1	
20	Nameplate	1	
21	Locikwasher	1	
22	Screw, Cap	1	
23	Handwheel	1	
19-23	<b>Handwheel Kit</b>		204269
	Stainless Steel		205707
	<b>Seal Cap Kit (Not Shown)</b>		204274

**Packages**

10	Gasket, Bonnet	6	204284
	Gasket, Seal Cap (Not Shown)	6	204292



**2 1/2" Parts Kits**

Item	Description	Qty.	Kit Number
1	Packing Nut	1	
2	O-Ring	1	
3	O-Ring Carrier	1	
4	O-Ring	1	
5	Washer	1	
6	Packing	1	
7	Washer	1	
1-7	<b>Packing Kit</b>		204472
8	Bonnet	1	
9	Bonnet Bolt	2	
10	Gasket	1	
11	Stem	1	
12	Spring	1	
13	Cylinder	1	
14	Stem Stop	1	
15	Disc Carrier	1	
16	Seat Disc	1	
17	Retaining Washer	1	
18	Seat Disc Retainer	1	
16-18	<b>Disc Kit</b>		204324
1-18	<b>Bonnet Assembly</b>		206833
19	Washer	1	
20	Nameplate	1	
21	Lockwasher	1	
22	Screw, Cap	1	
23	Handwheel	1	
19-23	<b>Handwheel Kit</b>		204269
	Stainless Steel		205707
	<b>Seal Cap Kit (Not Shown)</b>		204274

**Packages**

10	Gasket, Bonnet	6	204285
	Gasket, Seal Cap (Not Shown)	6	204292

**3" Parts Kits**

Item	Description	Qty.	Kit Number
1	Packing Nut	1	
2	O-Ring	1	
3	O-Ring Carrier	1	
4	O-Ring	1	
5	Washer	1	
6	Packing	1	
7	Washer	1	
1-7	<b>Packing Kit</b>		204473
8	Bonnet	1	
9	Bonnet Bolt	2	
10	Gasket	1	
11	Strem	1	
12	Spring	1	
13	Cylinder	1	
14	Stem Stop	1	
15	Disc Carrier	1	
16	Seat Disc	1	
17	Retaining Washer	1	
18	Seat Disc Retainer	1	
16-18	<b>Disc Kit</b>		204325
1-18	<b>Bonnet Assembly</b>		206834
19	Washer	1	
20	Nameplate	1	
21	Locikwasher	1	
22	Screw, Cap	1	
23	Handwheel	1	
19-23	<b>Handwheel Kit</b>		204270
	Stainless Steel		205708
	<b>Seal Cap Kit (Not Shown)</b>		204275

**Packages**

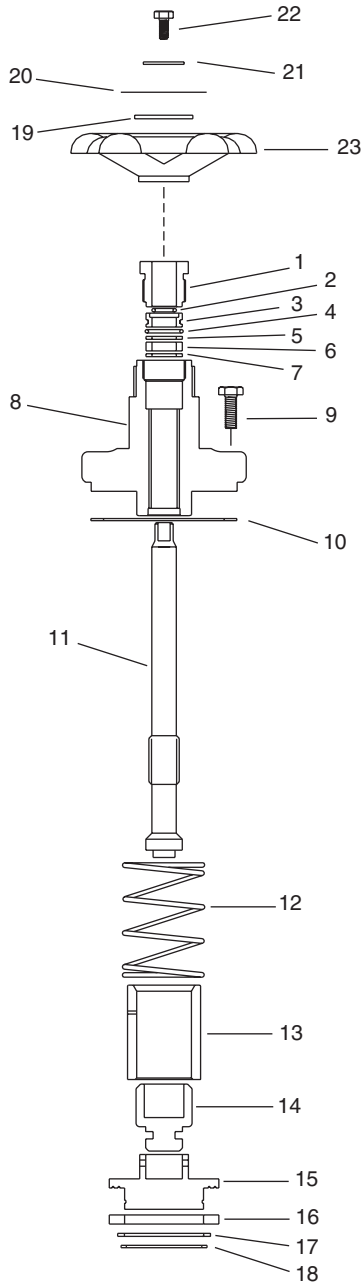
10	Gasket, Bonnet	6	204286
	Gasket, Seal Cap (Not Shown)	6	204293

**4" Parts Kits**

Item	Description	Qty.	Kit Number
1	Packing Nut	1	
2	O-Ring	1	
3	O-Ring Carrier	1	
4	O-Ring	1	
5	Washer	1	
6	Packing	1	
7	Washer	1	
1-7	<b>Packing Kit</b>		204473
8	Bonnet	1	
9	Bonnet Bolt	2	
10	Gasket	1	
11	Strem	1	
12	Spring	1	
13	Cylinder	1	
14	Stem Stop	1	
15	Disc Carrier	1	
16	Seat Disc	1	
17	Retaining Washer	1	
18	Seat Disc Retainer	1	
16-18	<b>Disc Kit</b>		204326
1-18	<b>Bonnet Assembly</b>		206835
19	Washer	1	
20	Nameplate	1	
21	Locikwasher	1	
22	Screw, Cap	1	
23	Handwheel	1	
19-23	<b>Handwheel Kit</b>		204270
	Stainless Steel		205708
	<b>Seal Cap Kit (Not Shown)</b>		204275

**Packages**

10	Gasket, Bonnet	6	204287
	Gasket, Seal Cap (Not Shown)	6	204293



**5" Parts Kits**

Item	Description	Qty.	Kit Number
1	Packing Nut	1	
2	O-Ring	1	
3	O-Ring Carrier	1	
4	O-Ring	1	
5	Washer	1	
6	Packing	1	
7	Washer	1	
1-7	<b>Packing Kit</b>		204474
8	Bonnet	1	
9	Bonnet Bolt	2	
10	Gasket	1	
11	Stem	1	
12	Spring	1	
13	Cylinder	1	
14	Stem Stop	1	
15	Disc Carrier	1	
16	Seat Disc	1	
17	Retaining Washer	1	
18	Seat Disc Retainer	1	
16-18	<b>Disc Kit</b>		204327
15-18	<b>Disc Carrier Assembly</b>		206853
1-18	<b>Bonnet Assembly</b>		206850
19	Washer	1	
20	Nameplate	1	
21	Lockwasher	1	
22	Screw, Cap	1	
23	Handwheel	1	
19-23	<b>Handwheel Kit</b>		204271
	Stainless Steel		205709
	<b>Seal Cap Kit (Not Shown)</b>		204633

**Packages**

10	Gasket, Bonnet	6	204288
	Gasket, Seal Cap (Not Shown)	6	204295

**6" Parts Kits**

Item	Description	Qty.	Kit Number
1	Packing Nut	1	
2	O-Ring	1	
3	O-Ring Carrier	1	
4	O-Ring	1	
5	Washer	1	
6	Packing	1	
7	Washer	1	
1-7	<b>Packing Kit</b>		204474
8	Bonnet	1	
9	Bonnet Bolt	2	
10	Gasket	1	
11	Strem	1	
12	Spring	1	
13	Cylinder	1	
14	Stem Stop	1	
15	Disc Carrier	1	
16	Seat Disc	1	
17	Retaining Washer	1	
18	Seat Disc Retainer	1	
16-18	<b>Disc Kit</b>		204328
15-18	<b>Disc Carrier Assembly</b>		206854
1-18	<b>Bonnet Assembly</b>		206851
19	Washer	1	
20	Nameplate	1	
21	Locikwasher	1	
22	Screw, Cap	1	
23	Handwheel	1	
19-23	<b>Handwheel Kit</b>		204271
	Stainless Steel		205709
	<b>Seal Cap Kit (Not Shown)</b>		204633

**Packages**

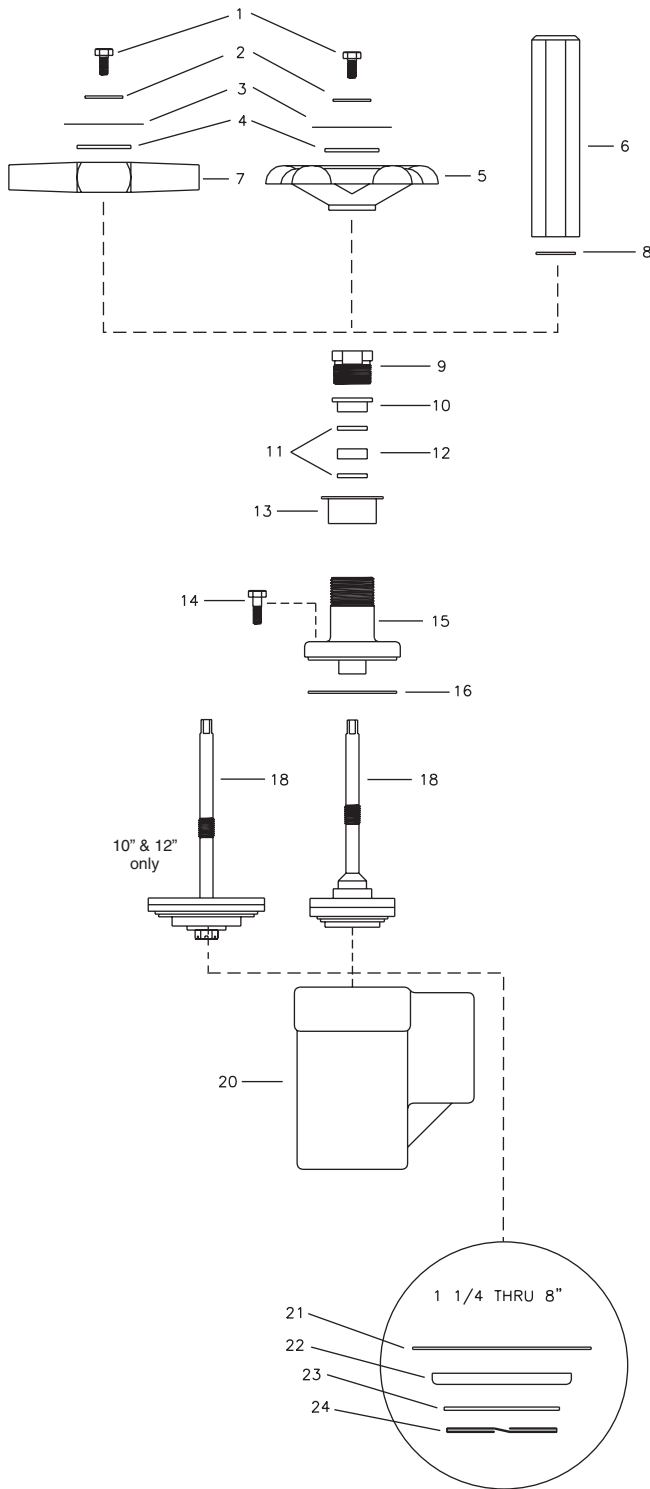
10	Gasket, Bonnet	6	204289
	Gasket, Seal Cap (Not Shown)	6	204295

**8" Parts Kits**

Item	Description	Qty.	Kit Number
1	Packing Nut	1	
2	O-Ring	1	
3	O-Ring Carrier	1	
4	O-Ring	1	
5	Washer	1	
6	Packing	1	
7	Washer	1	
1-7	<b>Packing Kit</b>		204474
8	Bonnet	1	
9	Bonnet Bolt	2	
10	Gasket	1	
11	Strem	1	
12	Spring	1	
13	Cylinder	1	
14	Stem Stop	1	
15	Disc Carrier	1	
16	Seat Disc	1	
17	Retaining Washer	1	
18	Seat Disc Retainer	1	
16-18	<b>Disc Kit</b>		204329
15-18	<b>Disc Carrier Assembly</b>		206855
1-18	<b>Bonnet Assembly</b>		206852
19	Washer	1	
20	Nameplate	1	
21	Locikwasher	1	
22	Screw, Cap	1	
23	Handwheel	1	
19-23	<b>Handwheel Kit</b>		204271
	Stainless Steel		205709
	<b>Seal Cap Kit (Not Shown)</b>		204634

**Packages**

10	Gasket, Bonnet	6	204290
	Gasket, Seal Cap (Not Shown)	6	204295



**Parts Kits**

Item	Description	Qty.	Kit Number
1	Screw Cap	1	
2	Lockwasher	1	
3	Nameplate	1	
4	Washer	1	
5	Handwheel (Shut-Off Valves only)	1	
1,2,4,5	<b>Handwheel Kit</b>		See Tables
6	Seal Cap (Shut-Off Valves only)	1	
8	Gasket, Seal Cap	1	
6, 8	<b>Seal Cap Kit, Standard Bonnet</b>		See Tables
7	Tee Handle	1	
1,2,4,7	<b>Tee Handle Kit</b>		See Tables
9	Packing Nut	1	
10	O-Ring Carrier	1	
11	Washer	2	
12	Packing	1	
9-12	<b>Packing Kit</b>		See Tables
13	Cap, Thread	1	
14	Bolt		
15	Bonnet	1	
16	Gasket	1	
18	Plug/Stem Assembly	1	
9-12, 16, 18	<b>Plug Stem Kit</b>		See Tables
9-16, 18	<b>Bonnet Assembly</b>		See Tables
20	Body		N/A
21	Gasket	1	
22	Seat Disc	1	
23	Washer	1	
24	Retainer	1	
21-24	<b>Disc Kit</b>		See Tables

**Packages**

8	Gasket Pkg., Seal Cap	See Tables
16	Gasket Pkg., Bonnet	See Tables

**Threaded End Valves**

DESCRIPTION	PORT SIZE						
	1/4"	3/8"	1/2"	3/4"	1"	1 1/4"	1 1/2"
Handwheel Kit	204267	204267	204267	204268	204268	204269	204269
S.S. Handwheel Kit	205705	205705	205705	205706	205706	205707	205707
"T" Handle	204265	204265	204265	204265	204265	204276	204276
S.S. "T" Handle	205712	205712	205712	205712	205712	205713	205713
Cap Seal Kit	204273	204273	204273	204273	204273	204274	204274
Packing Kit	204471	204471	204471	204471	204471	204272	204272
Plug Stem Kit	204297	204297	204297	204298	204298	204559	204559
S.S. Plug Stem Kit	205662	205662	205662	205663	205663	205664	205664
Bonnet Assembly	205684	205684	205684	205685	205685	205686	205686
Disc Kit						204322	204322
Gasket Pkg., Seal Cap	204292	204292	204292	204292	204292	204292	204292
Gasket Pkg., Bonnet	204281	204281	204281	204282	204282	204283	204283

**Socket Weld Valves**

DESCRIPTION	PORT SIZE										
	1/4"	3/8"	1/2"	3/4"	1"	1 1/4"	1 1/2"	2"	2 1/2"	3"	4"
Handwheel Kit	204267	204267	204267	204268	204268	204269	204269	204269	204269	204270	204270
S.S. Handwheel Kit	205705	205705	205705	205706	205706	205707	205707	205707	205707	205708	205708
"T" Handle	204265	204265	204265	204265	204265	204276	204276	204276			
S.S. "T" Handle	205712	205712	205712	205712	205712	205713	205713	205713	205713	205714	205714
Cap Seal Kit	204273	204273	204273	204273	204273	204274	204274	204274	204274	204275	204275
Packing Kit	204471	204471	204471	204471	204471	204272	204272	204472	204472	204473	204473
Plug Stem Kit	204297	204297	204297	204298	204298	204300	204300	204301	204302	204303	204304
S.S. Plug Stem Kit, "Y"	205662	205662	205662	205663	205663	205665	205665	205666	205667	205668	
S.S. Plug Stem Kit, "T"						205665	205666	205666	205667		
Bonnet Assembly, "Y"	205684	205684	205684	205685	205685	205687	205687	205688	205689	205690	
Bonnet Assembly, "T"						205687	205688	205688	205689		
Disc Kit						204321	204322	204323	204324	204325	204326
Gasket Pkg., Seal Cap	204292	204292	204292	204292	204292	204292	204292	204292	204292	204293	204293
Gasket Pkg., Bonnet	204281	204281	204281	204282	204282	204283	204283	204284	204285	204286	204287

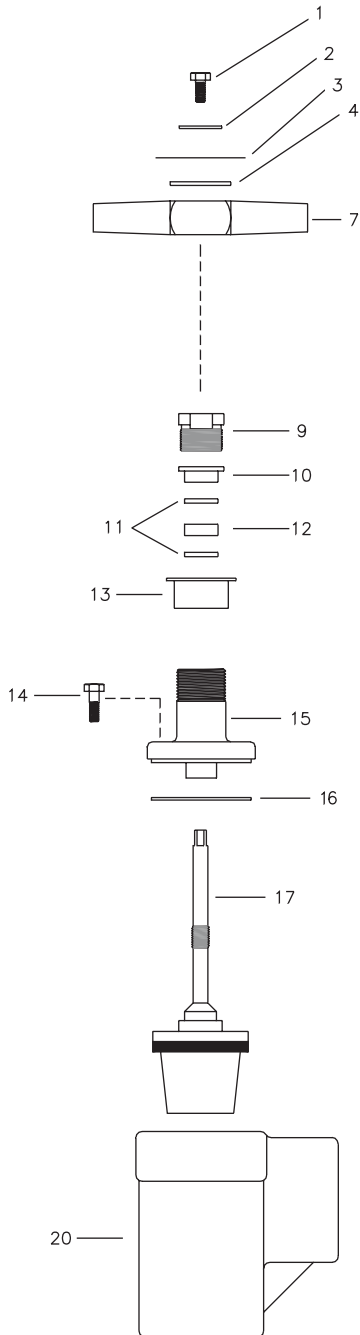
**Butt Weld Valves**

DESCRIPTION	PORT SIZE										
	1 1/4"	1 1/2"	2"	2 1/2"	3"	4"	5"	6"	8"	10"	12"
Handwheel Kit	204269	204269	204269	204269	204270	204270	204271	204271	204271	204272	204272
S.S. Handwheel Kit	205707	205707	205707	205707	205708	205708	205709	205709	205709	205710	
"T" Handle	204276	204276	204276								
S.S. "T" Handle	205713	205713	205713	205713	205714	205714					
Cap Seal Kit	204274	204274	204274	204274	204275	204275	204633	204633	204634	204635	
Packing Kit	204272	204272	204472	204472	204473	204473	204474	204474	204474	204474	204474
Plug Stem Kit	204300	204300	204301	204302	204303	204304	205305	204306	204307	204308	
S.S. Plug Stem Kit, "Y"	205665	205665	205666	205667	205668	205669	205670	205671	205672	205373	205674
S.S. Plug Stem Kit, "T"					205668	205669					
Bonnet Assembly, "Y"	205687	205687	205688	205689	205690	205691	205692	205693	205694	205695	205696
Bonnet Assembly, "T"					205690	205691					
Disc Kit	204321	204322	204323	204324	204325	204326	204327	204328	204329	205330	205033
Gasket Pkg., Seal Cap	204292	204292	204292	204292	204293	204293	204295	204295	204295	204296	204296
Gasket Pkg., Bonnet	204283	204283	204284	204285	204286	204287	204288	204289	204290	204291	

S.S. = Stainless Steel

"Y" = Globe "Y" body

"T" = Globe "T" body



**Parts Kits**

Item	Description	Qty.	Kit Number
1	Screw Cap	1	
2	Lockwasher	1	
3	Nameplate	1	
4	Washer	1	
7	Tee Handle	1	
1,2,4,7	<b>Tee Handle Kit</b>		See Tables
9	Packing Nut	1	
10	O-Ring Carrier	1	
11	Washer	2	
12	Packing	1	
9-12	<b>Packing Kit</b>		See Tables
13	Cap, Thread	1	
14	Bolt		
15	Bonnet		
16	Gasket	1	
17	Plug/Stem Assembly	1	
9-12, 16, 17	<b>Plug Stem Kit</b>		See Tables
9-16, 17	<b>Bonnet Assembly</b>		See Tables
20	Body		N/A

**Packages**

8	Gasket Pkg., Seal Cap	See Tables
16	Gasket Pkg., Bonnet	See Tables

**NOTE:**

The new hand expansion valve plugs and bonnet assemblies will not retrofit to either a prior design hand expansion valve or to a prior design stop valve.

**Threaded End Valves**

DESCRIPTION	PORT SIZE						
	1/4"	3/8"	1/2"	3/4"	1"	1 1/4"	1 1/2"
"T" Handle	204265	204265	204265	204265	204265	204276	204276
S.S. "T" Handle	205712	205712	205712	205712	205712	205713	205713
Packing Kit	204471	204471	204471	204471	204471	204272	204272
Plug Stem Kit	204309	204309	204309	204313	204313		
S.S. Plug Stem Kit	205675	205675	205675	205679	205679	205680	205680
Bonnet Assembly	205697	205697	205697	205701	205701	205702	205702
Gasket Pkg., Bonnet	204281	204281	204281	204282	204282	204283	204283

**NOTE:**

The new hand expansion valve plugs and bonnet assemblies will not retrofit to either a prior design hand expansion valve or to a prior design stop valve.

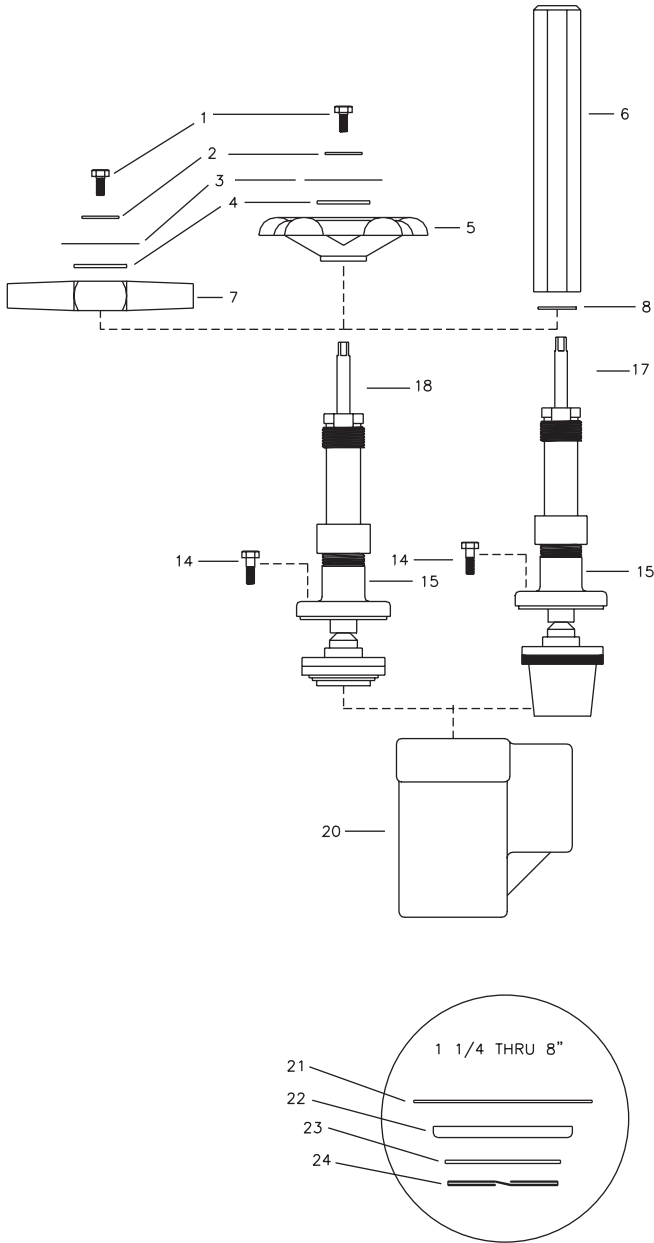
**Socket Weld Valves**

DESCRIPTION	PORT SIZE							
	1/4"	3/8"	1/2"	3/4"	1"	1 1/4"	1 1/2"	2"
"T" Handle	204265	204265	204265	204265	204265	204276	204276	204276
S.S. "T" Handle	205712	205712	205712	205712	205712	205713	205713	205713
Packing Kit	204471	204471	204471	204471	204471	204272	204272	204472
Plug Stem Kit	204309	204309	204309	204313	204313	204315	204315	204316
S.S. Plug Stem Kit	205675	205675	205675	205679	205679	205681	205682	205682
Bonnet Assembly	205697	205698	205699	205700	205701	205703	205703	205704
Gasket Pkg., Bonnet	204281	204281	204281	204282	204282	204283	204283	204284

**Butt Weld Valves**

DESCRIPTION	PORT SIZE		
	1 1/4"	1 1/2"	2"
"T" Handle	204276	204276	204276
S.S. "T" Handle	205713	205713	205713
Packing Kit	204272	204272	204472
Plug Stem Kit	204315	204315	204316
S.S. Plug Stem Kit	205681	205681	205682
Bonnet Assembly	205703	205703	205704
Gasket Pkg., Bonnet	204283	204283	204284

S.S. = Stainless Steel



**Parts Kits**

Item	Description	Qty.	Kit Number
1	Screw Cap	1	
2	Lockwasher	1	
3	Nameplate	1	
4	Washer	1	
5	Handwheel (Shut-Off Valves only)	1	
1,2,4,5	<b>Handwheel Kit</b>		See Tables
6	Seal Cap (Shut-Off Valves only)	1	
8	Gasket, Seal Cap	1	
6, 8	<b>Seal Cap Kit, Standard Bonnet</b>		See Tables
7	Tee Handle	1	
1,2,4,7	<b>Tee Handle Kit</b>		See Tables
9	Packing Nut	1	
10	O-Ring Carrier	1	
11	Washer	2	
12	Packing	1	
9-12	<b>Packing Kit</b>		See Tables
13	Cap, Thread	1	
14	Bolt		
15	Bonnet		
16	Gasket	1	
17	Plug/Stem Assembly, Expansion	1	
18	Plug/Stem Assembly, Shut-Off	1	
9-12, 16, 17	<b>Plug Stem Kit – Expansion Valves</b>		See Tables
9-12, 16, 18	<b>Plug Stem Kit – Shut-Off Valves</b>		See Tables
9-16, 17	<b>Bonnet Assembly – Expansion Valves</b>		See Tables
9-16, 18	<b>Bonnet Assembly – Shut-Off Valves</b>		See Tables
20	Body		N/A
21	Gasket	1	
22	Seat Disc	1	
23	Washer	1	
24	Retainer	1	
21-24	<b>Disc Kit</b>		See Tables

**Packages**

8	Gasket Pkg., Seal Cap	See Tables
16	Gasket Pkg., Bonnet	See Tables

**Threaded End Valves**

DESCRIPTION	PORT SIZE						
	1/4"	3/8"	1/2"	3/4"	1"	1 1/4"	1 1/2"
S.S. Handwheel Kit	205705	205705	205705	205706	205706	205707	205707
S.S. "T" Handle	205712	205712	205712	205712	205712	205713	205713
Cap Seal Kit	205984	205984	205984	205984	205984	205985	205985
Packing Kit	204471	204471	204471	204471	204471	204272	204272
Bonnet Assembly, Shut-off	205975	205975	205975	205976	205976	205977	205977
Disc Kit						204322	204322
Gasket Pkg., Seal Cap	204292	204292	204292	204292	204292	204292	204292
Gasket Pkg., Bonnet	204281	204281	204281	204282	204282	204283	204283

**Socket Weld Valves**

DESCRIPTION	PORT SIZE										
	1/4"	3/8"	1/2"	3/4"	1"	1 1/4"	1 1/2"	2"	2 1/2"	3"	4"
S.S. Handwheel Kit	205705	205705	205705	205706	205706	205707	205707	205707	205707	205708	205708
S.S. "T" Handle	205712	205712	205712	205712	205712	205713	205713	205713	205713	205714	205714
Cap Seal Kit	205984	205984	205984	205984	205984	205985	205985	205985	205985	205986	205986
Packing Kit	204471	204471	204471	204471	204471	204272	204272	204472	204472	204473	204473
<b>Hand Shut-Off Valves:</b>											
Bonnet Assembly, "Y"	205975	205975	205975	205976	205976	205977	205977	205978	205979	205980	
Bonnet Assembly, "T"						205977	205978	205978	205979	205980	
Disc Kit						204321	204322	204323	204324	204325	204326
Gasket Pkg., Seal Cap	204292	204292	204292	204292	204292	204292	204292	204292	204292	204293	204293
Gasket Pkg., Bonnet	204281	204281	204281	204282	204282	204283	204283	204284	204285	204286	204287

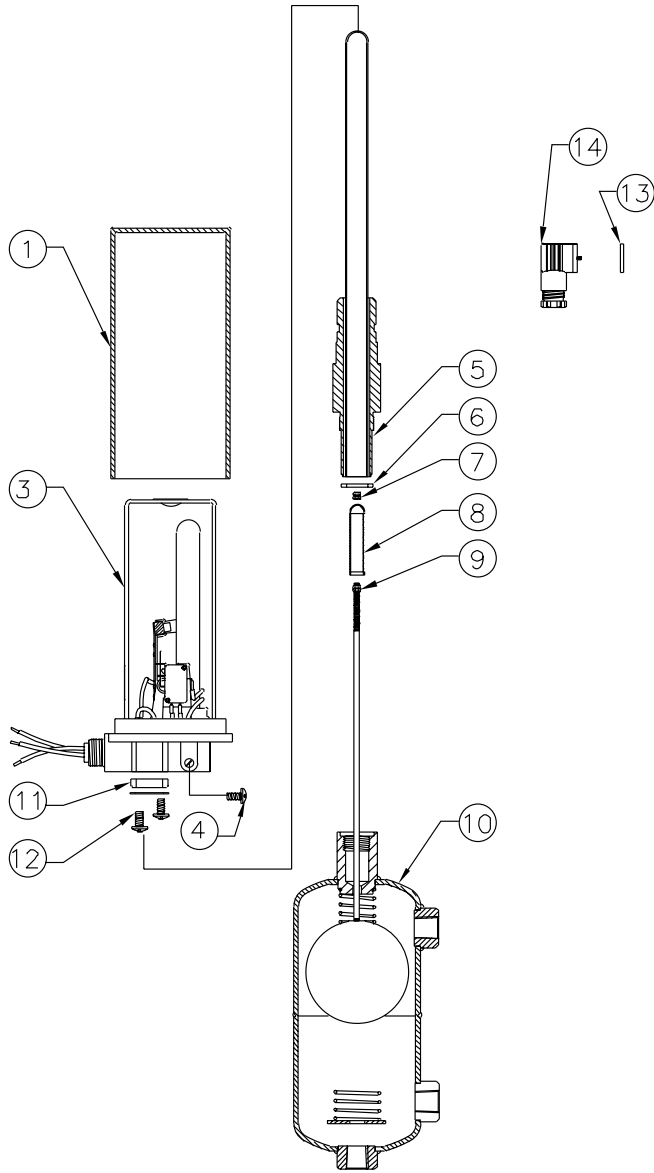
**Butt Weld Valves**

DESCRIPTION	PORT SIZE					
	1 1/4"	1 1/2"	2"	2 1/2"	3"	4"
S.S. Handwheel Kit	205707	205707	205707	205707	205708	205708
S.S. "T" Handle	205713	205713	205713	205713	205714	205714
Cap Seal Kit	205985	205985	205985	205985	205986	205986
Packing Kit	204272	204272	204472	204472	204473	204473
<b>Hand Shut-off Valves:</b>						
Bonnet Assembly, "Y"	205977	205977	205978	205979	205980	205981
Bonnet Assembly, "T"					205980	205981
Disc Kit	204321	204322	204323	204324	204325	204326
Gasket Pkg., Seal Cap	204292	204292	204292	204292	204293	204293
Gasket Pkg., Bonnet	204283	204283	204284	204285	204286	204287

S.S. = Stainless Steel

"Y" = Globe "Y" body

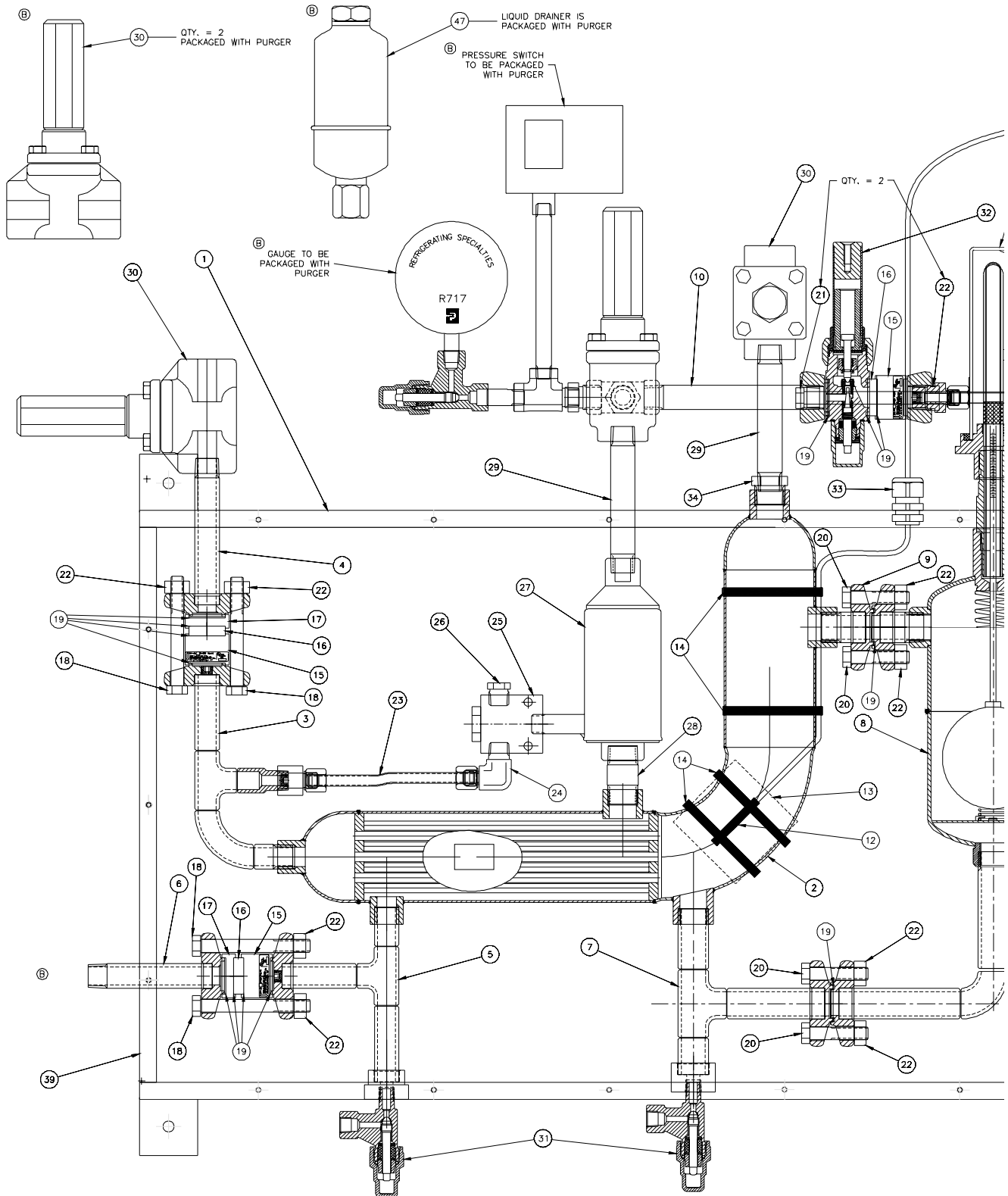
"T" = Globe "T" body

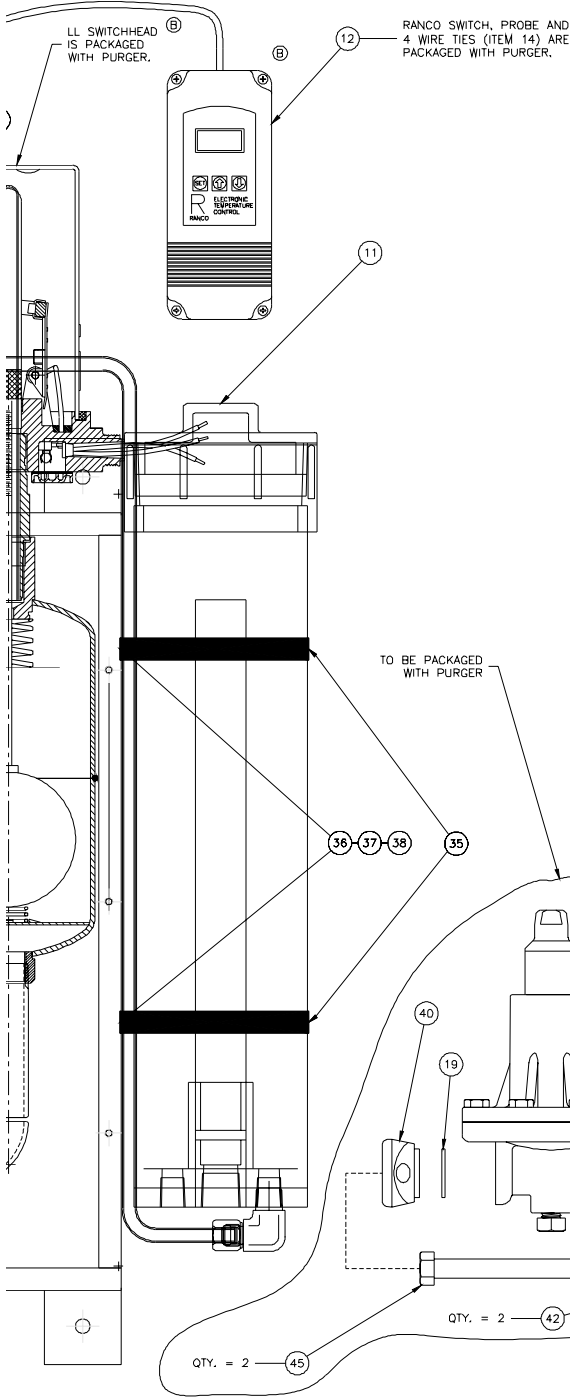


**LL Parts Kits**

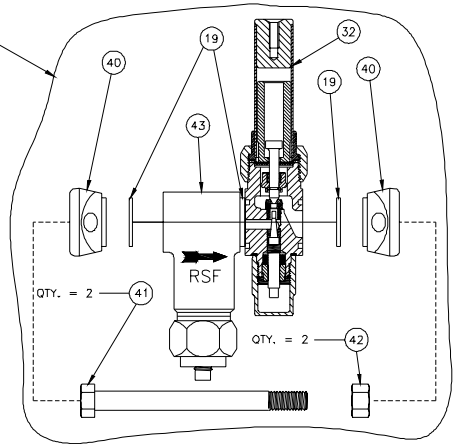
Item No.	Description	Qty.	Kit Number
1, 2	Metal Cover		202272
3, 4	Switch Assembly		050100
	DIN Switch		204486
5, 6	Adapter & Tube Kit, Std.		201243
	LLA		202356
5-10	Chamber & Float, LL		201270
	LLS		201271
	LLA		050123
11	Fuse Kit		203486
12	Cover Kit		203485
13, 14	Connector Kit		204135

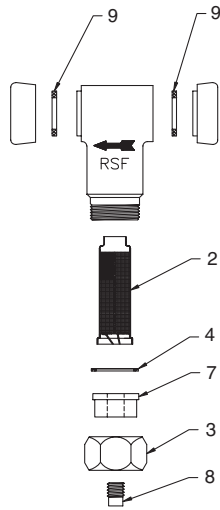






ITEM	PART DESCRIPTION	QTY	PART NUMBER
1	ENCLOSURE ASM,PURGER INSULATED	1	206178
2	HEAT EXCHANGER PURGER	1	309442
3	PIPE ASM,PURGER LIQUID LINE	1	206268
4	PIPE ASM,PURGER LIQUID LINE FLANGE	1	206271
5	PIPE ASM,PURGER PURGE LINE	1	206269
6	PIPE ASM,PURGER PURGE LINE FLANGE	1	206270
7	PIPE ASM,PURGER LOWER LIQUID LEVEL LINE	1	206273
8	PIPE ASM,PURGER LIQUID LEVEL TANK	1	206280
9	PIPE ASM,PURGER UPPER LIQUID LEVEL LINE	1	206274
10	PIPE ASM,PURGER VAPOR VENT LINE	1	206272
11	PIPE ASM,PURGER BUBBLER LINE	1	206277
12	SWITCH,TEMPERATURE PURGER	1	309436
(B) 13	INSULATION,PURGER RANCO SENSOR	1	309581
(B) 14	TIE,CABLE 12 LG STAINLESS STEEL	4	309570
15	CK VLV 1/2 CK4A-2	3	101047
16	RING,ADAPTER MAR 13 1/2 MALE	3	300006
17	STRAINER,DISC 1/2 60 MESH	2	201194
18	BOLT,HX HD 7/16-14 X 3.750	4	309562
(B) 19	GASKET, 1,000 ID 1,250 OD .063 NON-ASB	19	301628
20	BOLT,HEX HD 7/16-14 X 2	4	309563
21	BOLT,HEX HD 7/16-14 X 5	2	309561
22	NUT, 7/16-14 316 SS	10	309567
23	TUBE,LIQUID RETURN PURGER	1	309564
(C) 24	CONNECTOR,TUBE ELBOW 3/8 TUBE X 3/8 MPT 316 SS	1	309509
25	PRESSURE CHECK VALVE PURGER	1	309438
26	PLUG,PIPE 3/8 NPT HEX 316 SS	1	309529
27	VAPOR VENT FLOAT PURGER AS PURCHASED	1	309443
28	PIPE,THD 316 SS 3/4 X 2 LG SCH 40	1	309517
29	PIPE,THD 316 SS 1/2 X 5 LG SCH 40	2	309565
(B) 30	HD VLV, 1/2 FPT SC GL PACK CAR PTFE O-RING	4	103322
(B) 31	UNIBODY 1/4 ANGLE M X F	2	106620
(B) 32	SOL VLV, S6N	2	100990
33	STRAIN RELIEF,PURGER	1	309523
34	REDUCER,PIPE 3/4 MALE X 1/2 FEMALE	1	309547
35	CLAMP,HOSE 4-5.5 DIA PURGER	2	309577
36	SCREW,PAN HD 10-24 X 1/2 LG 316 SS	2	309572
37	WASHER,LOCK #10 EXTERNAL TOOTH STAINLESS	2	309505
38	NUT, #10-24 316 SS	2	309553
39	NAMEPLATE, PURGER	1	309579
(B) 40	FLANGE,SIZE NO 13 1/2 PORT X 1/2 FPT	4	300010
(B) 41	BOLT,HEX HD 7/16-14 X 5-1/2 LG GR 5	2	301895
(B) 42	NUT,7/16-14 STEEL	4	301825
(B) 43	STRAINER, 1/2 RSF 60 MESH W/PIPE PLUG	1	106422
(B) 44	REF REG, A2A RNG A	1	100052
(B) 45	BOLT,HEX HD 7/16-14 X 5 LG GR 5	2	301905
(B) 46	DRAINER,LIQUID ARMSTRONG 11-LD 5/64 ORIFICE	1	309625
(B) 47	INSTRUCTIONS,PURGER RANCO TEMP. CONTROL (NOT SHOWN)	1	309626
(B) 48	INSTRUCTIONS,PURGER PENN PRESSURE SWITCH (NOT SHOWN)	1	309627

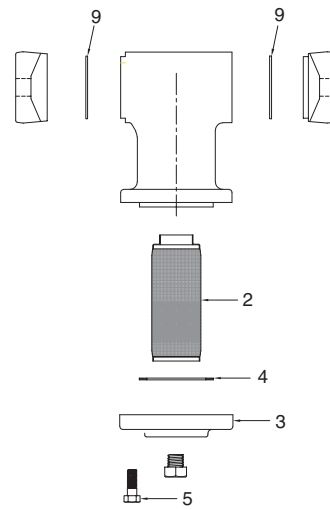




**13mm (1/2") RSF**

**13mm (1/2") RSF Parts Kits**

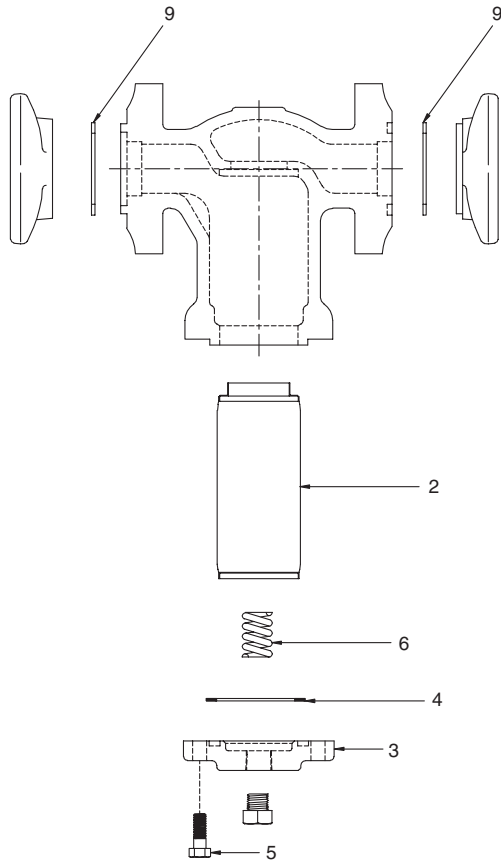
Item No.	Description	Qty	Part No.
2	Screen Assembly	1	
3	Nut	1	
4	Gasket	1	303070
6	Spring	1	
7	Bottom Cap	1	
8	Pipe Plug	1	
2-4, 7-8	<b>Screen Kit</b>		205945



**25mm (1") RSF**

**25mm (1") RSF Parts Kits**

Item No.	Description	Qty	Part No.
2	Screen Assembly	1	
3	Cover	1	
4	Gasket	1	301585
5	Cover Bolt		
6	Spring	1	
7	Bottom Cap	1	
8	Pipe Plug	1	
2,4	<b>Screen Kit</b>		200140
5	CoverBoltPkg.	6	202248
3,4,5	<b>Cover Kit</b>		200160
4,10	<b>Strainer Bag Kit</b>		201701



**32mm (1¼") to 100mm (4") RSF**

**32mm (1¼") RSF**

Item No.	Description	Qty	Part No.
2	Screen Assembly	1	
3	Cover	1	
4	Gasket	1	301585
5	Cover Bolt		
6	Spring	1	
7	Bottom Cap	1	
8	Pipe Plug	1	
2,4,6	<b>Screen Kit</b>		200142
5	CoverBoltPkg.	6	202248
3,4,5	<b>Cover Kit</b>		200160
4,10	<b>Strainer Bag Kit</b>		201702

**40mm (1½") & 50mm (2") RSF Parts**

Item No.	Description	Qty	Part No.
2	Screen Assembly	1	
3	Cover	1	
4	Gasket	1	301688
5	CoverBoltPkg.	8	202253
3,4,5	<b>Cover Kit</b>		200162
6	Spring	1	
2,4,6	<b>Screen Kit</b>		200144
7	Bottom Cap	1	
8	Pipe Plug	1	
4,10	<b>Strainer Bag Kit</b>		201703

**65mm (2½") RSF Parts**

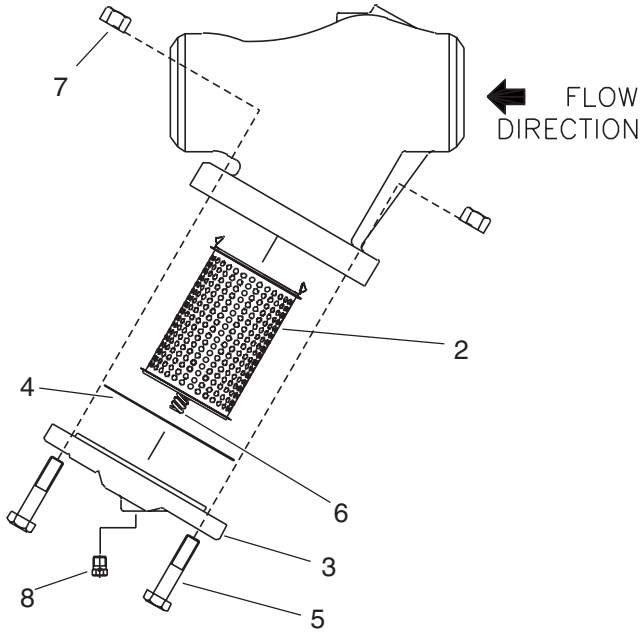
Item No.	Description	Qty	Part No.
2	Screen Assembly	1	
3	Cover	1	
4	Gasket	1	301690
5	Cover Bolt		
6	Spring	1	
7	Bottom Cap	1	
8	Pipe Plug	1	
2,4,6	<b>Screen Kit</b>		200146
5	CoverBoltPkg.	8	202253
3,4,5	<b>Cover Kit</b>		200165
4,10	<b>Strainer Bag Kit</b>		201513

**75mm (3") RSF Parts**

Item No.	Description	Qty	Part No.
2	Screen Assembly	1	
3	Cover	1	
4	Gasket	1	301690
5	Cover Bolt		
6	Spring	1	
7	Bottom Cap	1	
8	Pipe Plug	1	
2,4,6	<b>Screen Kit</b>		200146
5	CoverBoltPkg.	8	202253
3,4,5	<b>Cover Kit</b>		200165
4,10	<b>Strainer Bag Kit</b>		201513

**100mm (4") RSF**

Item No.	Description	Qty	Part No.
2	Screen Assembly	1	
3	Cover	1	
4	Gasket	1	301690
5	Cover Bolt		
6	Spring	1	
7	Bottom Cap	1	
8	Pipe Plug	1	
2,4,6	<b>Screen Kit</b>		200148
5	CoverBoltPkg.	8	202253
3,4,5	<b>Cover Kit</b>		200165
4,10	<b>Strainer Bag Kit</b>		201514



**125mm (5") Parts Kits**

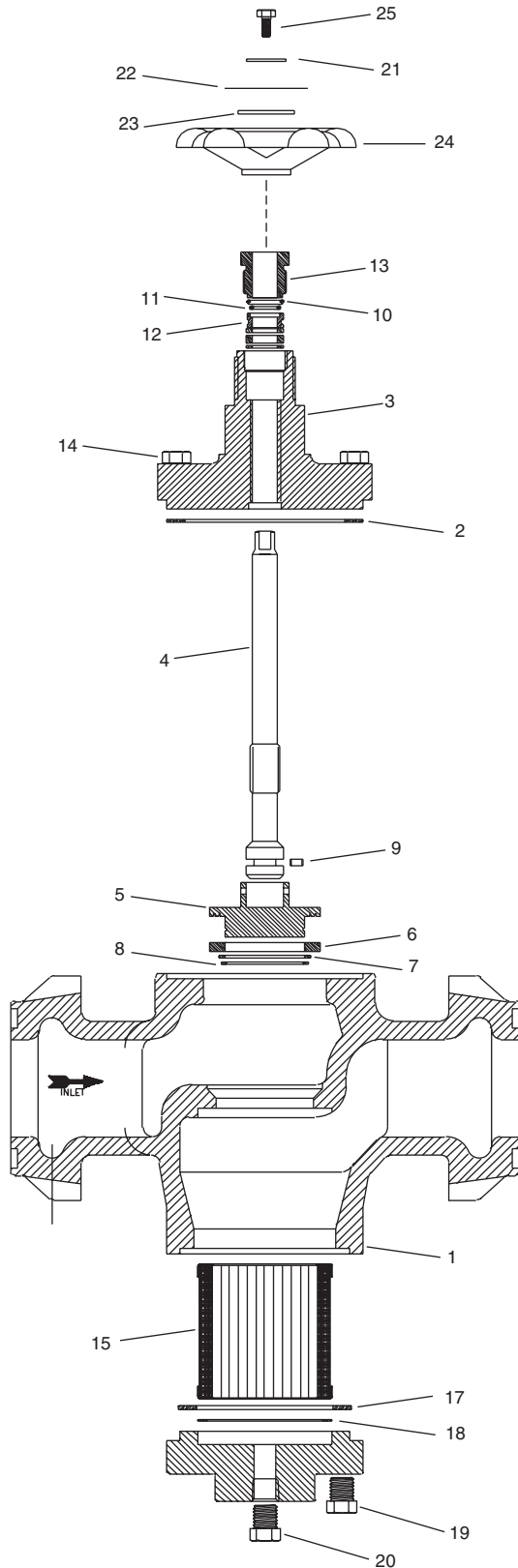
Item No.	Description	Qty.	Kit Number
2	Screen Assembly, 60 Mesh	1	
3	Cover		N/A
4	Gasket, Cover	1	303005
5	Bolt, Hex Head	8	
6	Spring	1	
2, 4, 6	<b>Screen Kit</b>		201561
7	Nut	8	
4, 5, 7	<b>Bolt Kit</b>		201555
8	Plug Package (3/8" NPT)	5	202553

**150mm (6") Parts Kits**

Item No.	Description	Qty.	Kit Number
2	Screen Assembly, 60 Mesh	1	
3	Cover		N/A
4	Gasket, Cover	1	301703
5	Bolt, Hex Head	8	
6	Spring	1	
2, 4, 6	<b>Screen Kit</b>		201562
7	Nut	8	
4, 5, 7	<b>Bolt Kit</b>		201556
8	Plug Package (3/8" NPT)	5	202553

**200mm (8") Parts Kits**

Item No.	Description	Qty.	Kit Number
2	Screen Assembly, 60 Mesh	1	
3	Cover		N/A
4	Gasket, Cover	1	303002
5	Bolt, Hex Head	8	
6	Spring	1	
2, 4, 6	<b>Screen Kit</b>		201563
7	Nut	8	
4, 5, 7	<b>Bolt Kit</b>		201557
8	Plug Package (3/8" NPT)	5	202553

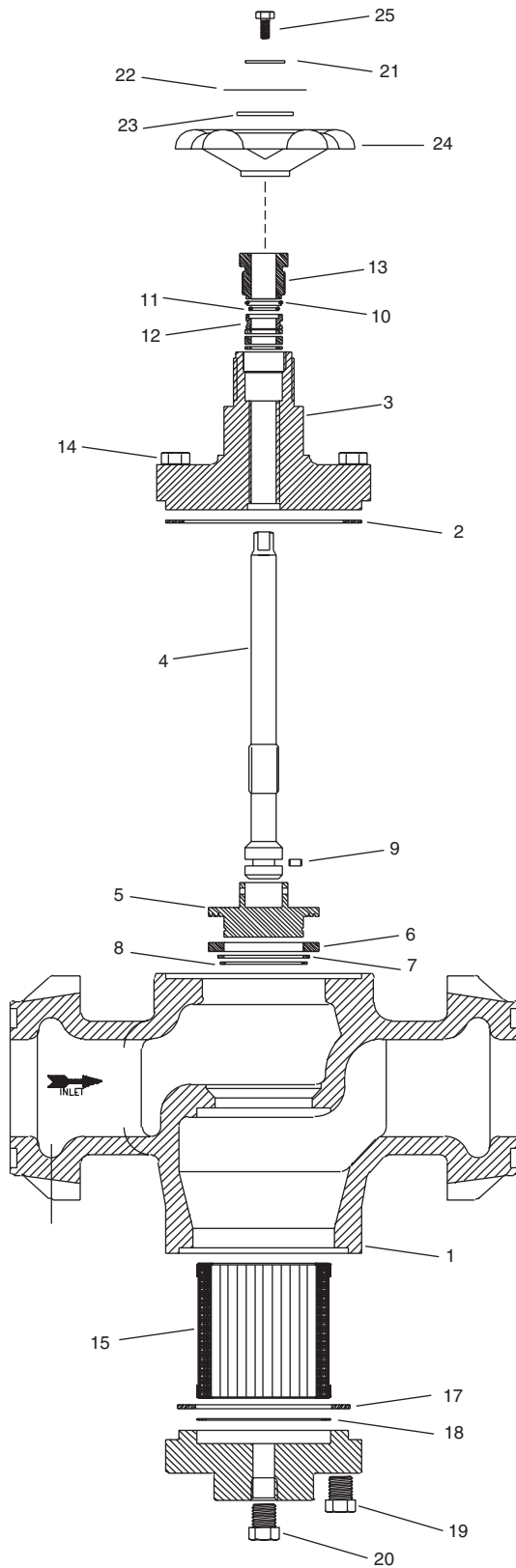


**1/2" & 3/4" Parts Kits**

Item No.	Description	Qty.	Kit Number
1	Strainer Body		N/A
3	Bonnet		N/A
4	Stem, Valve		
5	Disc Carrier	1	
6	Seat, Disc	1	
7	Washer, Retaining	1	
8	Ring, Retaining	1	
6-8	<b>Disc Kit</b>		N/A
9	Roll Pin	1	
10	Packing Cartridge	1	
11	O-Ring, Bonnet	1	
12	O-Ring, Stem	1	
13	Packing Nut	1	
10-13	<b>Packing Kit</b>		204471
14	Bolt, Bonnet	4	
5-14	<b>Bonnet Assembly</b>		206865
15	Screen	1	
16	Bottom Cap	1	N/A
17	Gasket	1	
18	Spring	1	
15, 18	<b>Screen Assembly</b>		206873
19	Bolt, Cover		
20	Plug		
21	Lockwasher	1	
22	Nameplate	1	
23	Washer	1	
24	Handwheel	1	
25	Screw, Cap	1	
21-25	<b>Handwheel</b>		204268
	<b>Seal Cap (Not Shown)</b>		204273

**Packages**

2	Gasket, Bonnet	6	204281
	Gasket, Seal Cap (Not Shown)	6	204292



**1" Parts Kits**

Item No.	Description	Qty.	Kit Number
1	Strainer Body		N/A
3	Bonnet		N/A
4	Stem, Valve		
5	Disc Carrier	1	
6	Seat, Disc	1	
7	Washer, Retaining	1	
8	Ring, Retaining	1	
6-8	<b>Disc Kit</b>		N/A
9	Roll Pin	1	
10	Packing Cartridge	1	
11	O-Ring, Bonnet	1	
12	O-Ring, Stem	1	
13	Packing Nut	1	
10-13	<b>Packing Kit</b>		204471
14	Bolt, Bonnet	4	
5-14	<b>Bonnet Assembly</b>		206866
15	Screen	1	
16	Bottom Cap	1	N/A
17	Gasket	1	
18	Spring	1	
15, 18	<b>Screen Assembly</b>		206874
19	Bolt, Cover		
20	Plug		
21	Lockwasher	1	
22	Nameplate	1	
23	Washer	1	
24	Handwheel	1	
25	Screw, Cap	1	
21-25	<b>Handwheel</b>		204268
	<b>Seal Cap (Not Shown)</b>		204273

**Packages**

2	Gasket, Bonnet	6	204282
	Gasket, Seal Cap (Not Shown)	6	204292

**1 1/4" Parts Kits**

Item No.	Description	Qty.	Kit Number
1	Strainer Body		N/A
3	Bonnet		N/A
4	Stem, Valve		
5	Disc Carrier	1	
6	Seat, Disc	1	
7	Washer, Retaining	1	
8	Ring, Retaining	1	
6-8	<b>Disc Kit</b>		204321
9	Roll Pin	1	
10	Packing Cartridge	1	
11	O-Ring, Bonnet	1	
12	O-Ring, Stem	1	
13	Packing Nut	1	
10-13	<b>Packing Kit</b>		204472
14	Bolt, Bonnet	4	
5-14	<b>Bonnet Assembly</b>		206867
15	Screen	1	
16	Bottom Cap	1	N/A
17	Gasket	1	
18	Spring	1	
15, 18	<b>Screen Assembly</b>		206874
19	Bolt, Cover		
20	Plug		
21	Lockwasher	1	
22	Nameplate	1	
23	Washer	1	
24	Handwheel	1	
25	Screw, Cap	1	
21-25	<b>Handwheel</b>		204269
	<b>Seal Cap (Not Shown)</b>		204274

**Packages**

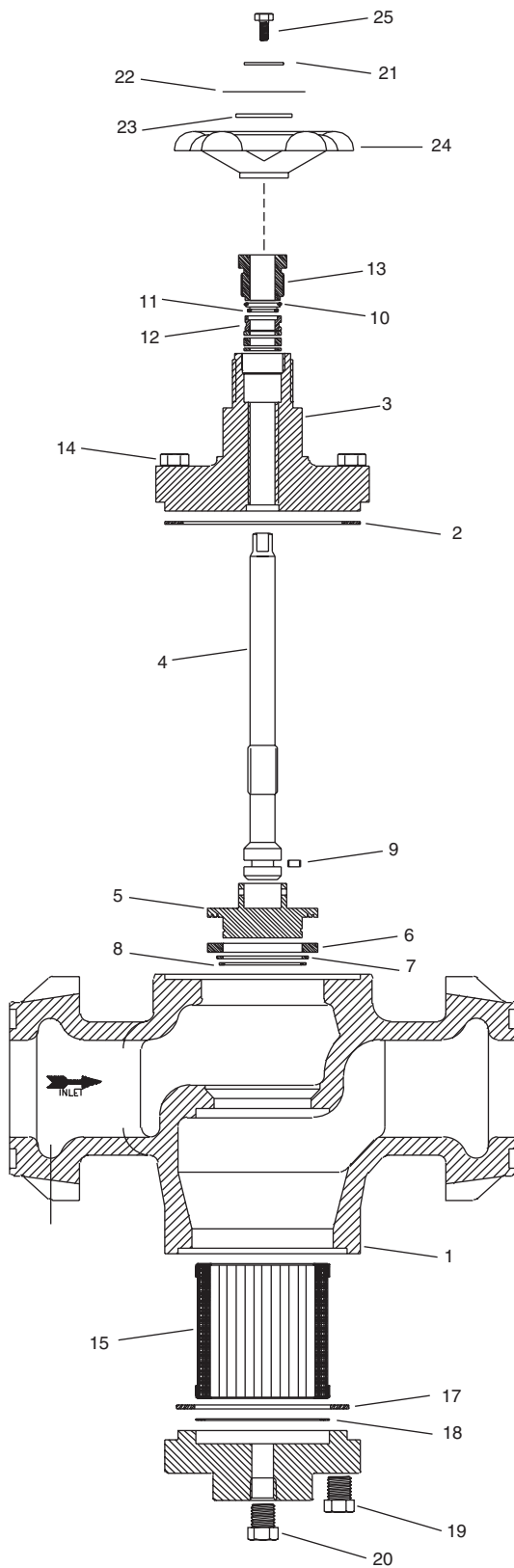
2	Gasket, Bonnet	6	204283
	Gasket, Seal Cap (Not Shown)	6	204292

**1 1/2" Parts Kits**

Item No.	Description	Qty.	Kit Number
1	Strainer Body		N/A
3	Bonnet		N/A
4	Stem, Valve		
5	Disc Carrier	1	
6	Seat, Disc	1	
7	Washer, Retaining	1	
8	Ring, Retaining	1	
6-8	<b>Disc Kit</b>		204322
9	Roll Pin	1	
10	Packing Cartridge	1	
11	O-Ring, Bonnet	1	
12	O-Ring, Stem	1	
13	Packing Nut	1	
10-13	<b>Packing Kit</b>		204472
14	Bolt, Bonnet	4	
5-14	<b>Bonnet Assembly</b>		206868
15	Screen	1	
16	Bottom Cap	1	N/A
17	Gasket	1	
18	Spring	1	
15, 18	<b>Screen Assembly</b>		206875
19	Bolt, Cover		
20	Plug		
21	Lockwasher	1	
22	Nameplate	1	
23	Washer	1	
24	Handwheel	1	
25	Screw, Cap	1	
21-25	<b>Handwheel</b>		204269
	<b>Seal Cap (Not Shown)</b>		204274

**Packages**

2	Gasket, Bonnet	6	204283
	Gasket, Seal Cap (Not Shown)	6	204292



**2" Parts Kits**

Item No.	Description	Qty.	Kit Number
1	Strainer Body		N/A
3	Bonnet		N/A
4	Stem, Valve		
5	Disc Carrier	1	
6	Seat, Disc	1	
7	Washer, Retaining	1	
8	Ring, Retaining	1	
6-8	<b>Disc Kit</b>		204323
9	Roll Pin	1	
10	Packing Cartridge	1	
11	O-Ring, Bonnet	1	
12	O-Ring, Stem	1	
13	Packing Nut	1	
10-13	<b>Packing Kit</b>		204472
14	Bolt, Bonnet	4	
5-14	<b>Bonnet Assembly</b>		206869
15	Screen	1	
16	Bottom Cap	1	N/A
17	Gasket	1	
18	Spring	1	
15, 18	<b>Screen Assembly</b>		206876
19	Bolt, Cover		
20	Plug		
21	Lockwasher	1	
22	Nameplate	1	
23	Washer	1	
24	Handwheel	1	
25	Screw, Cap	1	
21-25	<b>Handwheel</b>		204269
	<b>Seal Cap (Not Shown)</b>		204274

**Packages**

2	Gasket, Bonnet	6	204284
	Gasket, Seal Cap (Not Shown)	6	204292

**2 1/2" Parts Kits**

Item No.	Description	Qty.	Kit Number
1	Strainer Body		N/A
3	Bonnet		N/A
4	Stem, Valve		
5	Disc Carrier	1	
6	Seat, Disc	1	
7	Washer, Retaining	1	
8	Ring, Retaining	1	
6-8	<b>Disc Kit</b>		204324
9	Roll Pin	1	
10	Packing Cartridge	1	
11	O-Ring, Bonnet	1	
12	O-Ring, Stem	1	
13	Packing Nut	1	
10-13	<b>Packing Kit</b>		204472
14	Bolt, Bonnet	4	
5-14	<b>Bonnet Assembly</b>		206870
15	Screen	1	
16	Bottom Cap	1	N/A
17	Gasket	1	
18	Spring	1	
15, 18	<b>Screen Assembly</b>		206877
19	Bolt, Cover		
20	Plug		
21	Lockwasher	1	
22	Nameplate	1	
23	Washer	1	
24	Handwheel	1	
25	Screw, Cap	1	
21-25	<b>Handwheel</b>		204269
	<b>Seal Cap (Not Shown)</b>		204274

**Packages**

2	Gasket, Bonnet	6	204285
	Gasket, Seal Cap (Not Shown)	6	204292

**3" Parts Kits**

Item No.	Description	Qty.	Kit Number
1	Strainer Body		N/A
3	Bonnet		N/A
4	Stem, Valve		
5	Disc Carrier	1	
6	Seat, Disc	1	
7	Washer, Retaining	1	
8	Ring, Retaining	1	
6-8	<b>Disc Kit</b>		204325
9	Roll Pin	1	
10	Packing Cartridge	1	
11	O-Ring, Bonnet	1	
12	O-Ring, Stem	1	
13	Packing Nut	1	
10-13	<b>Packing Kit</b>		204473
14	Bolt, Bonnet	4	
5-14	<b>Bonnet Assembly</b>		206871
15	Screen	1	
16	Bottom Cap	1	N/A
17	Gasket	1	
18	Spring	1	
15, 18	<b>Screen Assembly</b>		206878
19	Bolt, Cover		
20	Plug		
21	Lockwasher	1	
22	Nameplate	1	
23	Washer	1	
24	Handwheel	1	
25	Screw, Cap	1	
21-25	<b>Handwheel</b>		204270
	<b>Seal Cap (Not Shown)</b>		204275

**Packages**

2	Gasket, Bonnet	6	204286
	Gasket, Seal Cap (Not Shown)	6	204293

Control Valve Types	Use With	Pkg. No.
(Packages include only bolts and nuts; no gaskets)		
<b>For 13mm (1/2") size flanges. Fits 5,13 mm (3/16", 1/2") port sizes</b>		
S6N, S8F	Flanges only	201579
S6N, S8F	RSF, or CK4A-2	201576
S6N, S8F	RSF and CK4A-2	201577
CK4A-2	Flanges only	201580
CK4A-2	RSF	201576
RSF	Flanges only	201626
RSF	Less flanges	201576
RSF	CK4A-2	201576
AFR, FFR	Flanges only	201576
AFR, FFR	RSF	201578
A2B, A2A	Flanges only	201581
A2B, A2A	RSF	201577
<b>For 25mm (1") size flanges. Fits 20, 25 mm (3/4", 1") port sizes</b>		
A4, S4, S5, S7, CK-1	Flanges only	201585
A4, S4, S5, S7, CK-1	RSF	201582
A4, S4, S5, S7, CK-1	RSF and CK4A-3, -4	201583
A4, S4, S5, S7, CK-1	RSF and CK-1	201584
A4, S4, S5, S7, CK-1	CK-1	201586
A4, S4, S5, S7, CK-1	CK4A-3, -4	201587
A4AO, A4AOT, A4AL	Flanges only	201589
A4AO, A4AOT, A4AL	RSF	201588
CK4A-3, -4	Flanges only	201590
CK4A-3, -4	RSF	201625
RSF	Flanges only	201591
<b>For 32 mm (1 1/4") size flanges. Fits 32 mm (1 1/4") port size</b>		
A4, S4, S5, CK-1,-2	Flanges only	201595
A4, S4, S5, CK-1,-2	RSF	201592
A4, S4, S5, CK-1,-2	RSF and CK4A-6	201593
A4, S4, S5, CK-1,-2	RSF and CK-1	201594
A4, S4, S5, CK-1,-2	CK-1	201592
A4, S4, S5, CK-1,-2	CK4A-6	201596
A4AO, A4AOT, A4AL	Flanges only	201598
A4AO, A4AOT, A4AL	RSF	201597
CK4A-6	Flanges only	202311
CK4A-6	RSF	301596
RSF	Flanges only	201598
RSF	Less flanges	201598
<b>For 50 mm (2") size flanges. Fits 40, 50 mm (1 1/2", 2") port sizes</b>		
A4, S4, S5, CK-1,-2	Flanges only	201604
A4, S4, S5, CK-1,-2	RSF	201600
A4, S4, S5, CK-1,-2	RSF and CK4A-8	201601
A4, S4, S5, CK-1,-2	RSF and CK-1	201603
A4, S4, S5, CK-1,-2	CK-1	201600
A4, S4, S5, CK-1,-2	CK4A-8	201602
A4AO, A4AOT, A4AL	Flanges only	201606
A4AO, A4AOT, A4AL	RSF	201605
CK4A-8	Flanges only	201607
CK4A-8	RSF	201602
RSF	Flanges only	201608
RSF	Less flanges	201608
<b>For 65 mm (2 1/2") size flanges. Fits 65 mm (2 1/2") port size</b>		
A4, S4, S5, CK-1,-2	Flanges only	201614
A4, S4, S5, CK-1,-2	RSF	201609
A4, S4, S5, CK-1,-2	RSF and CK4A-9	201610
A4, S4, S5, CK-1,-2	RSF and CK-1	206155
A4, S4, S5, CK-1,-2	CK-1	201609
A4, S4, S5, CK-1,-2	CK4A-9	201612
A4AO, A4AOT, A4AL	Flanges only	201611
A4AO, A4AOT, A4AL	RSF	206154
CK4A-9	Flanges only	201613
CK4A-9	RSF	201612
RSF	Flanges only	201611
RSF	Less flanges	201611

Control Valve Types	Use With	Pkg. No.
(Packages include only bolts and nuts; no gaskets)		
<b>For 75 mm (3") size flanges. Fits 75 mm (3") port size</b>		
A4, S4, S5, CK-1,-2	Flanges only	201614
A4, S4, S5, CK-1,-2	RSF	201609
A4, S4, S5, CK-1,-2	RSF and CK4A-9	201615
A4, S4, S5, CK-1,-2	RSF and CK-1	206155
A4, S4, S5, CK-1,-2	CK-1	206156
A4, S4, S5, CK-1,-2	CK4A-9	202799
A4AO, A4AOT, A4AL	Flanges only	201611
A4AO, A4AOT, A4AL	RSF	201609
CK4A-0	Flanges only	201613
CK4A-0	RSF	201612
RSF	Flanges only	201614
RSF	Less flanges	201614
<b>For 100 mm (4") size flanges. Fits 100 mm (4") port size</b>		
A4, S4, CK-1,-2	Flanges only	206052
A4, S4, CK-1,-2	RSF	206171
A4, S4, CK-1,-2	RSF and CK4A-16	201618
A4, S4, CK-1,-2	RSF and CK-1	206172
A4, S4, CK-1,-2	CK-1	201621
A4, S4, CK-1,-2	CK4A-16	201624
A4AO, A4AOT, A4AL	Flanges only	201620
A4AO, A4AOT, A4AL	RSF	201619
CK4A-16	Flanges only	201623
CK4A-16	RSF	201624
RSF	Flanges only	201620
RSF	Less flanges	201620
<b>For 125 mm (5") flanges. Fits 125 mm (5") port size</b>		
CK-1, CK-2	Flanges only	202262
<b>For 125 mm (5") ANSI flanges. Fits 125 mm (5") port size</b>		
CK4A-125	ANSI flanges only	201616
<b>For 150 mm (6") size flanges. Fits 150 mm (6") port size</b>		
CK-1, CK-2	Flanges only	202262
<b>For 150 mm (6") ANSI flanges. Fits 150 mm (6") port size</b>		
CK4A-150	ANSI flanges only	201617
<b>For 200 mm (8") ANSI flanges. Fits 200 mm (8") port size</b>		
CK4A-200	ANSI flanges only	201622
<b>Bolt Package (w/Spacer) for SV2A, SV2 to replace S4A</b>		
For 20-25mm (3/4 - 1") less Strainer		202937
For 20-25mm (3/4 - 1") with Strainer		202938
For 32mm (1 1/4") with or without Strainer		202939









## Offer of Sale

The items described in this document are hereby offered for sale at prices to be established by Parker Hannifin Corporation, its subsidiaries and its authorized distributors. This offer and its acceptance by any customer ("Buyer") shall be governed by all of the following Terms and Conditions. Buyer's order for any item described in its document, when communicated to Parker Hannifin Corporation, its subsidiary or an authorized distributor ("Seller") verbally or in writing, shall constitute acceptance of this offer.

**1. Term and Conditions of Sale:** All descriptions, quotations, proposals, offers, acknowledgments, acceptances and sales of Seller's products are subject to and shall be governed exclusively by the terms and conditions stated herein. Buyer's acceptance of any offer to sell is limited to these terms and conditions. Any terms or conditions in addition to, or inconsistent with those stated herein, proposed by Buyer in any acceptance of an offer by Seller, are hereby objected to. No such additional, different or inconsistent terms and conditions shall become part of the contract between Buyer and Seller unless expressly accepted in writing by Seller. Seller's acceptance of any offer to purchase by Buyer is expressly conditional upon Buyer's assent to all the terms and conditions stated herein, including any terms in addition to, or inconsistent with those contained in Buyer's offer. Acceptance of Seller's products shall in all events constitute such assent.

**2. PAYMENT-To approved accounts:** Invoices dated 1st to 15th, 1% discount if paid by the 25th of same month; invoices dated 16th to the end of month, 1% discount if paid by the 10th of next following month. All invoices shall be due net within 30 days after date of invoice. Any claims by Buyer for omissions or shortages in a shipment shall be waived unless Seller receives notice thereof within 30 days after Buyer's receipt of the shipment.

**3. Delivery:** Unless otherwise provided on the face hereof, delivery shall be made F.O.B. Seller's plant. Regardless of the method of delivery, however, risk of loss shall pass to Buyer upon Seller's delivery to a carrier. Any delivery dates shown are approximate only and Seller shall have no liability for any delays in delivery.

**4. Warranty:** Seller warrants that the items sold hereunder shall be free from defects in material or workmanship for a period of 365 days from the date of shipment to Buyer, or 2,000 hours of use, whichever expires first. THIS WARRANTY COMPRISES THE SOLE AND ENTIRE WARRANTY PERTAINING TO ITEMS PROVIDED HEREUNDER. SELLER MAKES NO OTHER WARRANTY, GUARANTEE, OR REPRESENTATION OF ANY KIND WHATSOEVER. ALL OTHER WARRANTIES, INCLUDING BUT NOT LIMITED TO, MERCHANTABILITY AND FITNESS FOR PURPOSE, WHETHER EXPRESS, IMPLIED, OR ARISING BY OPERATION OF LAW, TRADE USAGE, OR COURSE OF DEALING ARE HEREBY DISCLAIMED. NOTWITHSTANDING THE FOREGOING, THERE ARE NO WARRANTIES WHATSOEVER ON ITEMS BUILT OR ACQUIRED WHOLLY OR PARTIALLY, TO BUYER'S DESIGNS OR SPECIFICATIONS.

**5. Limitation Of Remedy:** SELLER'S LIABILITY ARISING FROM OR IN ANY WAY CONNECTED WITH THE ITEMS SOLD OR THIS CONTRACT SHALL BE LIMITED EXCLUSIVELY TO REPAIR OR REPLACEMENT OF THE ITEMS SOLD OR REFUND OF THE PURCHASE PRICE PAID BY BUYER, AT SELLER'S SOLE OPTION. IN NO EVENT SHALL SELLER BE LIABLE FOR ANY INCIDENTAL, CONSEQUENTIAL OR SPECIAL DAMAGES OF ANY KIND OR NATURE WHATSOEVER, INCLUDING BUT NOT LIMITED TO LOST PROFITS ARISING FROM OR IN ANY WAY CONNECTED WITH THIS AGREEMENT OR ITEMS SOLD HEREUNDER, WHETHER ALLEGED TO ARISE FROM BREACH OF CONTRACT, EXPRESS OR IMPLIED WARRANTY, OR IN TORT, INCLUDING WITHOUT LIMITATION, NEGLIGENCE, FAILURE TO WARN OR STRICT LIABILITY.

**6. Changes, Reschedules and Cancellations:** Buyer may request to modify the designs or specifications for the items sold hereunder as well as the quantities and delivery dates thereof, or may request to cancel all or part of this order, however, no such requested modification or cancellation shall become part of the contract between Buyer and Seller unless accepted by Seller in a written amendment to this Agreement. Acceptance of any such requested modification or cancellation shall be at Seller's discretion, and shall be upon such terms and conditions as Seller may require. Quantity increases, received after orders are acknowledged, will be priced separately as new orders. Quantity decreases, received after orders are acknowledged, will subject the order to repricing, if the decreases affect the original pricing guidelines.

**7. Special Tooling:** A tooling charge may be imposed for any special tooling, including without limitation, dies, fixtures, molds and patterns, acquired to manufacture items sold pursuant to this contract. Such special tooling shall be and remain Seller's property notwithstanding payment of any charges therefor by Buyer. In no event will Buyer acquire any interest in apparatus belonging to Seller which is utilized in the manufacture of the items sold hereunder, even if such apparatus has been specially converted or adapted for such manufacture and notwithstanding any charges paid by Buyer therefor. Unless otherwise agreed, Seller shall have the right to after, discard or otherwise dispose of any special tooling or other property in its sole discretion at any time.

**8. Buyer's Property:** Any designs, tools, patterns, materials, drawings, confidential information or equipment furnished by Buyer or any other items which become Buyer's property, may be considered obsolete and may be destroyed by Seller after two (2) consecutive years have elapsed without Buyer placing an order for the items which are manufactured using such property. Seller shall not be responsible for any loss or damage to such property while it is in Seller's possession or control.

**9. Taxes:** Unless otherwise indicated on the face hereof, all prices and charges are exclusive of excise, sales, use, property, occupational or like taxes which may be imposed by any taxing authority upon the manufacture, sale or delivery of the items sold hereunder. If any such taxes must be paid by Seller or if Seller is liable for the collection of such tax, the amount thereof shall be in addition to the amounts for the items sold. Buyer agrees to pay all such taxes or to reimburse Seller therefor upon receipt of its invoice. If Buyer claims exemption from any sales, use or other tax imposed by any taxing authority, Buyer shall save Seller harmless from and against any such tax, together with any interest or penalties thereon which may be assessed if the items are held to be taxable.

**10. Indemnity For Infringement of Intellectual Property Rights:** Seller shall have no liability for infringement of any patents, trademarks, copyrights, trade dress, trade secrets or similar rights except as provided in this Part 10. Seller will defend and indemnify Buyer against allegations of infringement of U.S. patents, U.S. trademarks, copyrights, trade dress and trade secrets (hereinafter "Intellectual Property Rights"). Seller will defend at its expense and will pay the cost of any settlement or damages awarded in an action brought against Buyer based on an allegation that an item sold pursuant to this contract infringes the Intellectual Property Rights of a third party. Seller's obligation to defend and indemnify Buyer is contingent on Buyer notifying Seller within ten (10) days after Buyer becomes aware of such allegations of infringement, and Seller having sole control over the defense of any allegations or actions including all negotiations for settlement or compromise. If an item sold hereunder is subject to a claim that it infringes the Intellectual Property Rights of a third party, Seller may, at its sole expense and option, procure for Buyer the right to continue using said item, replace or modify said item so as to make it noninfringing, or offer to accept return of said item and return the purchase price less a reasonable allowance for depreciation. Notwithstanding the foregoing, Seller shall have no liability for claims of infringement based on information provided by Buyer, or directed to items delivered hereunder for which the designs are specified in whole or part by Buyer, or infringements resulting from the modification, combination or use in a system of any item sold hereunder. The foregoing provisions of this Part 10 shall constitute Seller's sole and exclusive liability and Buyer's sole and exclusive remedy for infringement or Intellectual Property Rights.

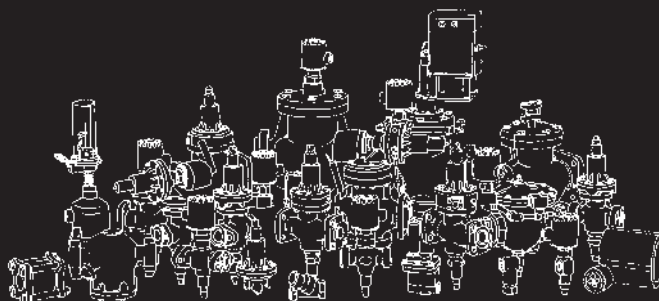
If a claim is based on information provided by Buyer or if the design for an item delivered hereunder is specified in whole or in part by Buyer, Buyer shall defend and indemnify Seller for all costs, expenses or judgments resulting from any claim that such item infringes any patent, trademark, copyright, trade dress, trade secret or any similar right.

**11. Force Majeure:** Seller does not assume the risk of and shall not be liable for delay or failure to perform any of Seller's obligations by reason or circumstances beyond the reasonable control of Seller (hereinafter 'Events of Force Majeure'). Events of Force Majeure shall include without limitation, accidents, acts of God, strikes or labor disputes, acts, laws, rules or regulations of any government or government agency, fires, floods, delays or failures in delivery of carriers or suppliers, shortages of materials and any other cause beyond Seller's control.

**12. Entire Agreement/Governing Law:** The terms and conditions set forth herein, together with any amendments, modifications and any different terms or conditions expressly accepted by Seller in writing, shall constitute the entire Agreement concerning the items sold, and there are no oral or other representations or agreements which pertain thereto. This agreement shall be governed in all respects by the law of the State of Ohio. No actions arising out of the sale of the items sold hereunder or this Agreement may be brought by either party more than two (2) years after the cause of action accrues.



# US Reco



**ENGINEERING-SYSTEMES-DISTRIBUTION**

**REGULATION DE HAUTE TECHNICITE  
POUR FROID & CONDITIONNEMENT D'AIR**

**US REFRIGERATION CONTROLS**

Zone Industrielle Richardets  
42, Allée du Closeau  
93160 NOISY-LE-GRAND  
FRANCE

Tél. : +33 (0)1 43 03 75 05

Fax : +33 (0)1 43 04 91 11

E-mail : [usreco@usreco.com](mailto:usreco@usreco.com)

[www.usreco.com](http://www.usreco.com)